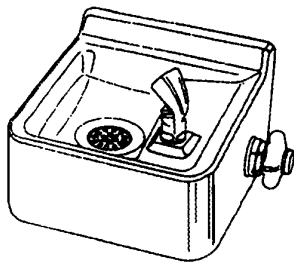


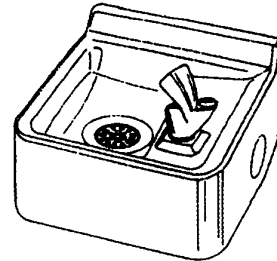
TABLE OF CONTENTS
Drinking Fountain Section

ADA conversion.....2
American Standard..... 3-5
Crane..... 6
Elkay.....7
Halsey Taylor..... 8-11
Haws..... 12
Kohler..... 13-14
Oasis (Ebco)..... 15-20
T&S Brass..... 21
Zurn..... 22

DOES NOT MEET ADA:



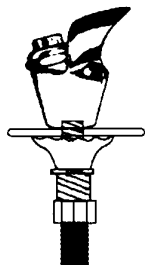
DOES MEET ADA:



ADA approved push-button style bubbler.

WHAT YOU NEED:

BUBBLER CONVERSION KIT



This kit has a lead-free bubbler with a shank to go through the drinking fountain, a deep rosette, a supply line, and a handle-hole cover. With these kits you can retrofit almost any drinking fountain to meet ADA.

Easily converts existing fountains to ADA standards.

41423 3/8 IPS with flange

41424 3/8 IPS

Controls must be easily operable with one hand. No greater than 5 pounds of force necessary to operate.

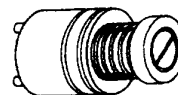


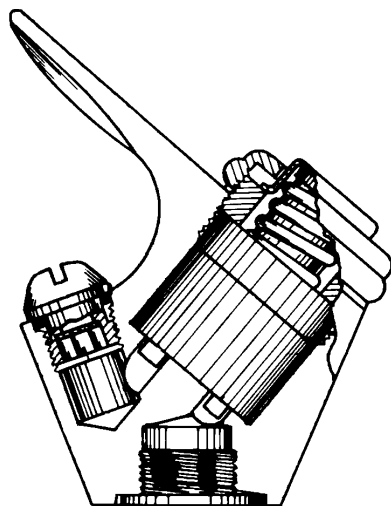
Fig.A



Fig.B

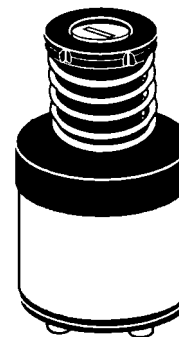
BUBBLER CARTRIDGE (Fig.A) converts existing push-button bubbler (Fig.B) to meet ADA 5lb. force requirement.

41418 cartridge

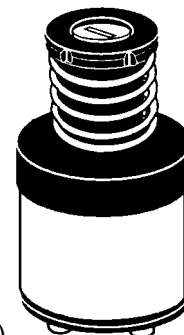


41421
bubbler complete

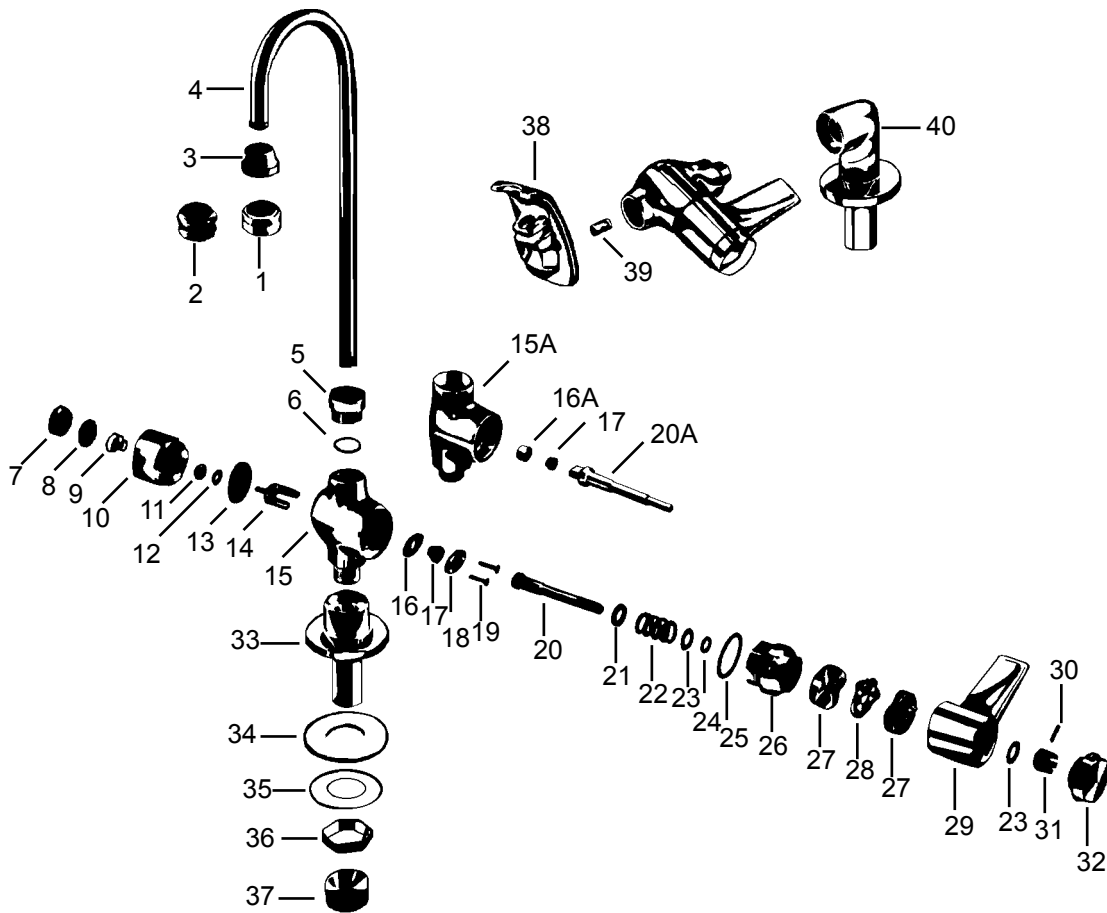
- parts for bubbler
- 41412** nozzle assy.
- 41414** body
- 41415** push button
- 41416** hex cover nut
- 41417** retaining nut
- 41418** ADA cartridge
- 41419** cartridge
- 41420** rubber washer



41418
ADA bubbler cartridge
(less than 5 lbs. of force)



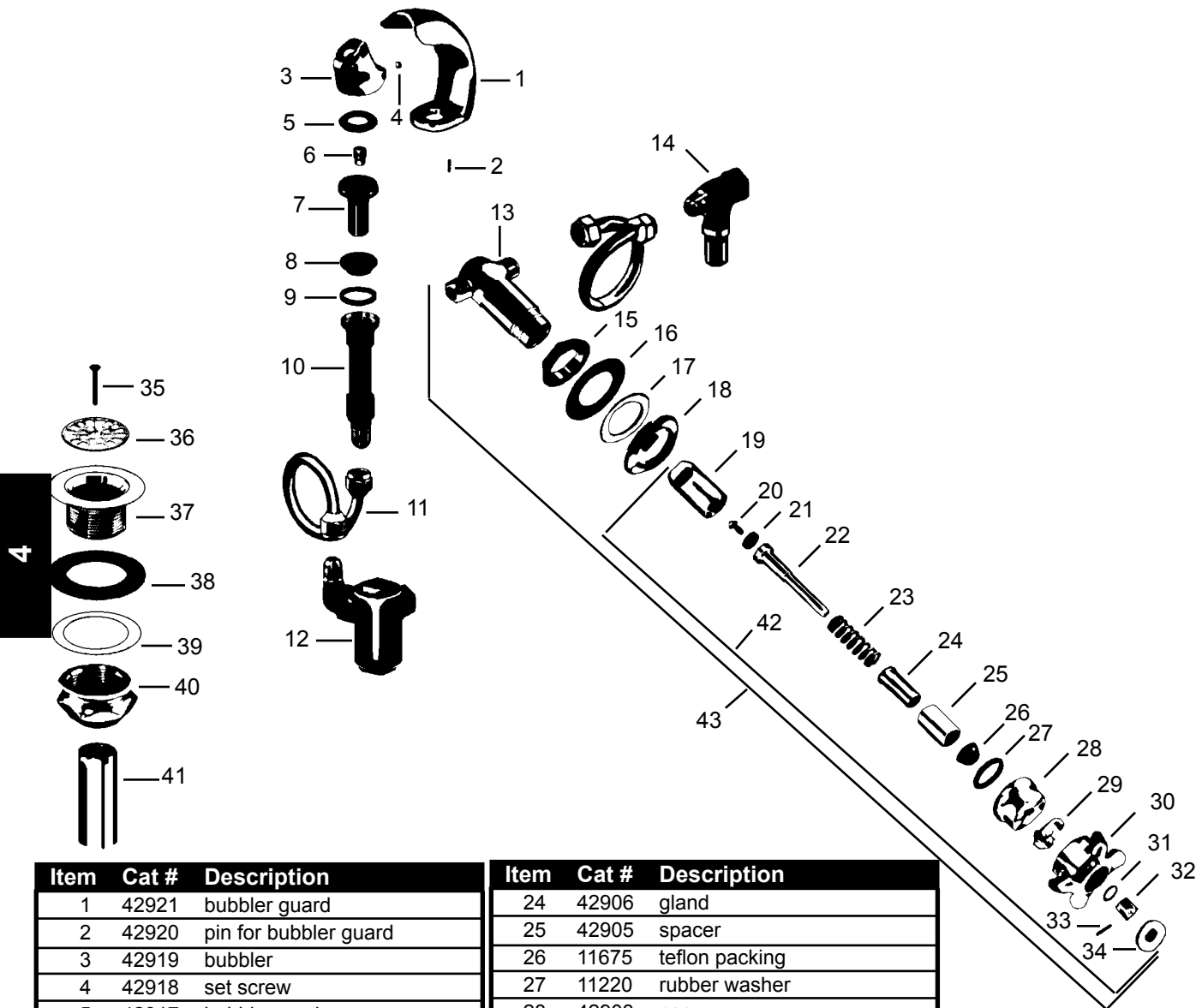
41419
bubbler cartridge



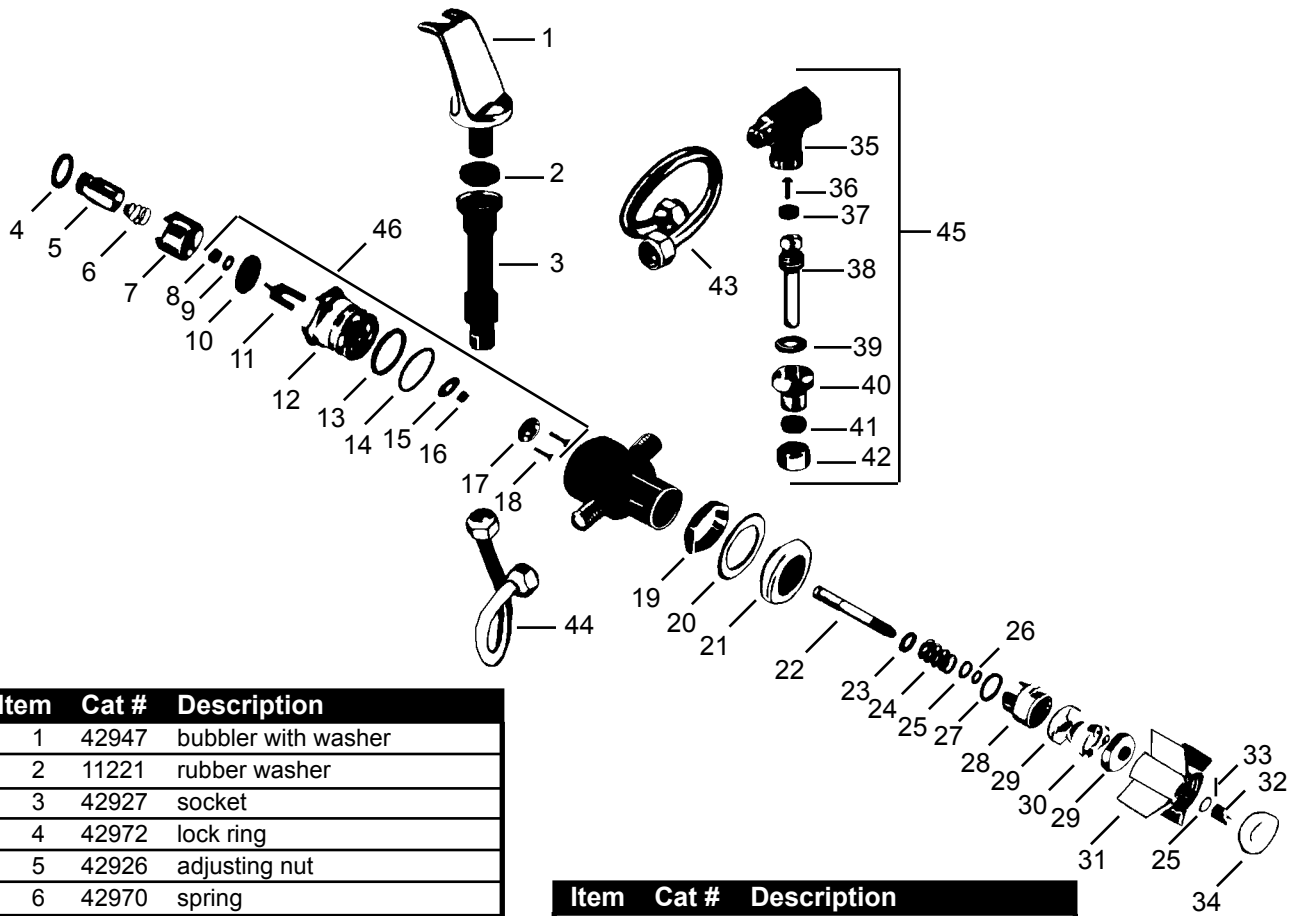
Item	Cat #	Description
1	11175	aerator
2	43093	end trim
3	43894	adapter
4	42893	gooseneck
5	42892	gooseneck locknut
6	42891	locknut washer
7	42939	reg. cap screw
8	42938	regulating screw
9	42937	spring
10	42936	spring chamber
11	55197	locknut
12	11403	brass washer
13	42967	diaphragm bushing
14	42966	yoke
15	42885	body
15A	42884	body
16	42963	seat washer holder
16A	47331	seat washer holder
17	42962	seat washer
18	42961	seat washer plate
19	42960	screw
20	42934	stem
20A	42882	stem

Item	Cat #	Description
21	11419	brass washer
22	42956	spring
23	11414	brass washer
24	11531	o-ring
25	11517	o-ring
26	42933	spring housing
27	42953	cam
28	42952	ball race
29	42957	handle
30	77342	cotter pin
31	42932	handle nut
32	42931	plain index button
33	42877	shank
34	42875	shank washer
35	42013	friction washer
36	43046	locknut
37	43047	coupling nut
38	42874	bubbler
39	42873	jet
40	42876	shank

42872 rebuild kit includes items
(9, 12, 13, 17, 21, 22, 23, 24, 25)



Item	Cat #	Description	Item	Cat #	Description
1	42921	bubbler guard	24	42906	gland
2	42920	pin for bubbler guard	25	42905	spacer
3	42919	bubbler	26	11675	teflon packing
4	42918	set screw	27	11220	rubber washer
5	42917	bubbler washer	28	42903	cap
6	42916	jet	29	42952	ball race
7	42915	bubbler shank	30	42902	handle
8	42914	shank washer	31	11414	brass washer
9	11221	rubber washer	32	42932	handle nut
10	42913	socket	33	77342	cotter pin
11	42870	supply tube	34	42901	handle cap
12	42912	regulator sub assembly	35	43619	strainer screw
13	42911	valve body	36	42900	strainer
14	n/a	stop sub assembly	37	42899	strainer plug
15	n/a	locknut	38	43569	plug washer
16	42910	friction ring	39	43571	friction washer
17	42909	washer	40	42898	socket
18	42908	flange	41	47332	tailpiece
19	43257	sleeve	42	42897	self-closing unit
20	11031	monel screw	43	42896	valve sub assembly
21	11002	1/4s flat washer	42895 rebuild kit includes items (20, 21, 23, 26, 27, 33)		
22	42907	stem			
23	43254	spring			



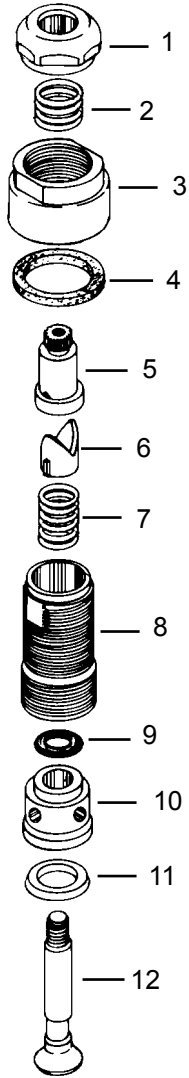
Item	Cat #	Description
1	42947	bubbler with washer
2	11221	rubber washer
3	42927	socket
4	42972	lock ring
5	42926	adjusting nut
6	42970	spring
7	42969	spring chamber
8	55197	locknut
9	11403	brass washer
10	42967	diaphragm
11	42966	yoke
12	42965	sleeve
13	11574	o-ring
14	11769	asbestos washer
15	42963	seat washer holder
16	42962	seat washer valve
17	42961	seat washer plate
18	42960	screw
19	43133	locknut
20	43322	friction washer
21	42959	escutcheon
22	42958	stem
23	11419	brass washer
24	42956	spring
25	11414	friction washer
26	11531	o-ring
27	11539	o-ring
28	42954	spring housing
29	42953	cam
30	42952	ball race

Item	Cat #	Description
31	42951	handle
32	42932	handle nut
33	77342	cotter pin
34	42931	handle cap
35	n/a	stop body
36	11031	seat washer screw
37	11002	1/4s flat washer
38	42945	stem w/washer & screw
39	42944	cap washer
40	42943	box cap
41	11619	stem packing
42	43680	packing nut
43	42870	supply tube
44	42871	supply tube
45	42923	stop sub assembly
46	42941	sleeve sub assembly

42922 rebuild kit includes items (6, 9, 10, 13, 14, 16, 23-27)



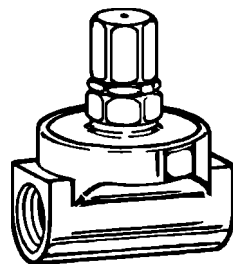
4



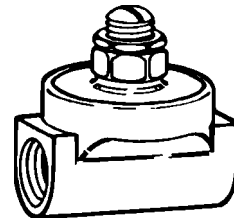
Item	Cat #	Description
1	41178	brass cap
2	41179	top spring
3	41183	brass locknut, cp
4	41002	cork & rubber gasket
5	41180	top cam
6	41181	bottom cam
7	41182	bottom spring
8	41184	centerpeice
9	11561	o-ring
10	41185	sleeve
11	41119	seat washer
12	41186	stem

41187 rmagiclose unit complete (1-12)

41188 rebuild kit includes items (2, 4, 7, 9, 11)

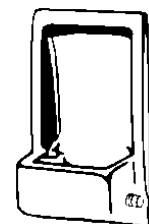


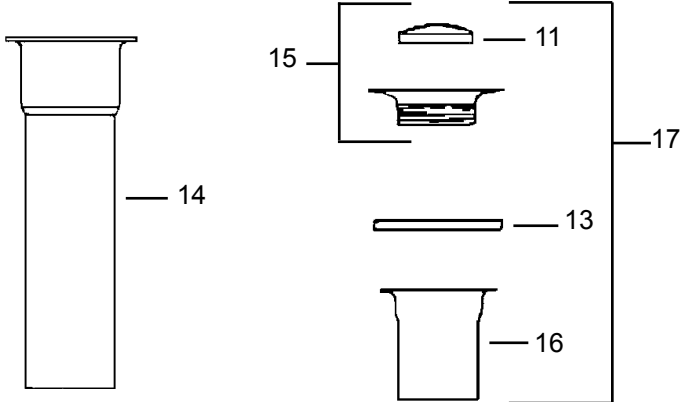
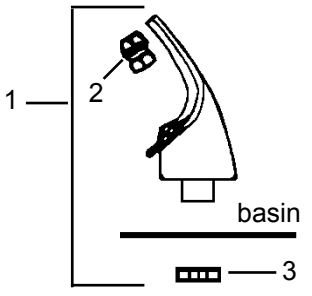
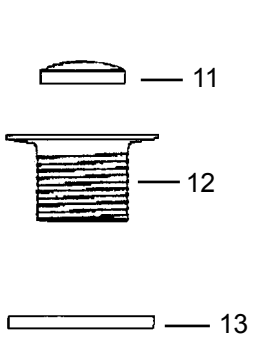
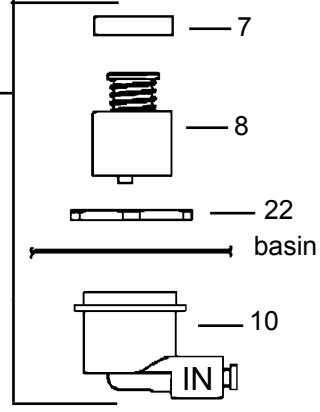
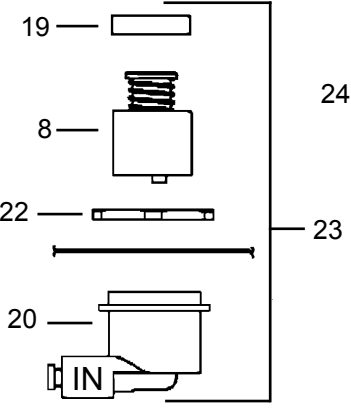
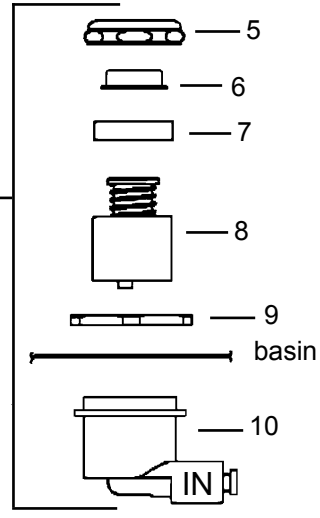
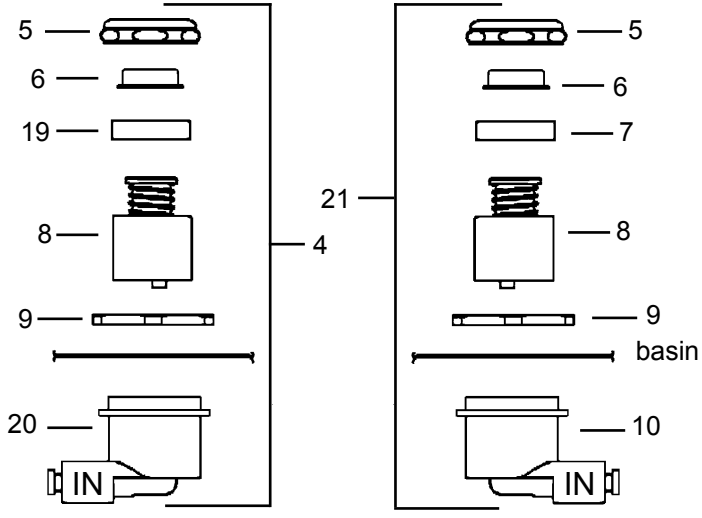
41198 exposed regulator
straight pattern
3/8" IPS female ends



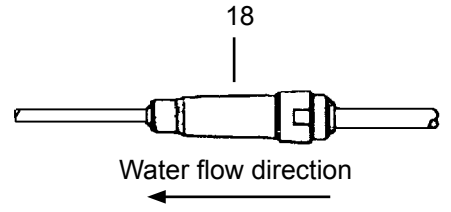
41199 concealed regulator
straight pattern
1/4" IPS female ends

41197 regulator rebuilding kit





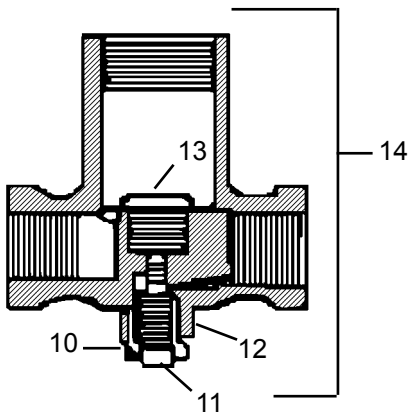
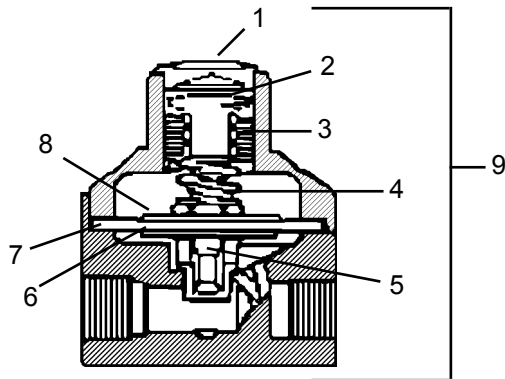
Item	Cat #	Description
1	49341	bubbler assembly
2	49344	orifice assembly
3	49343	locknut
4	49347	regulator kit
5	41416	push button nut
6	41415	push button
7	41417	retaining nut (fine thread)
8	49342	regulator cartridge
9	49345	cp regulator nut
10	49346	regulator body (right inlet)
11	40425	strainer
12	40429	waste ferrule
13	40416	tailpipe gasket
14	40426	tailpipe
15	40427	strainer / ferrule assembly
16	40428	tailpipe
17	40430	waste assembly
18	40435	in-line strainer
19	49282	retaining nut (course thread)
20	49346L	regulator body (left inlet)
21	49347L	regulator kit
22	49281	brass regulator nut
23	49355	push bar regulator assy. LH
24	49354	push bar regulator assy. RH



21245 Water cooler
21246 Water cooler with stainless steel finish

Parts for water cooler
 91168 front push button
 91181 upper shroud
 91196 left push button
 91197 right push button

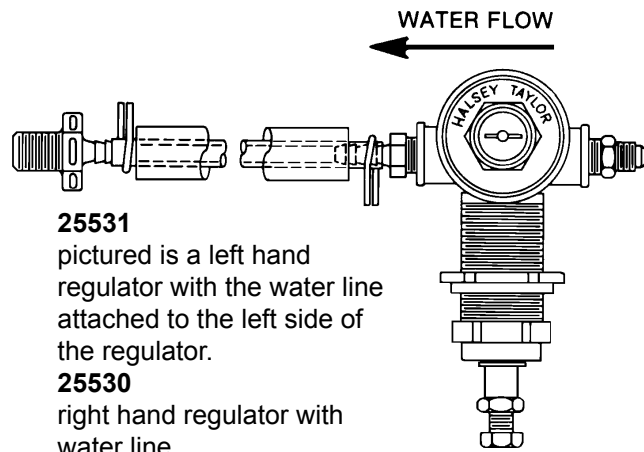
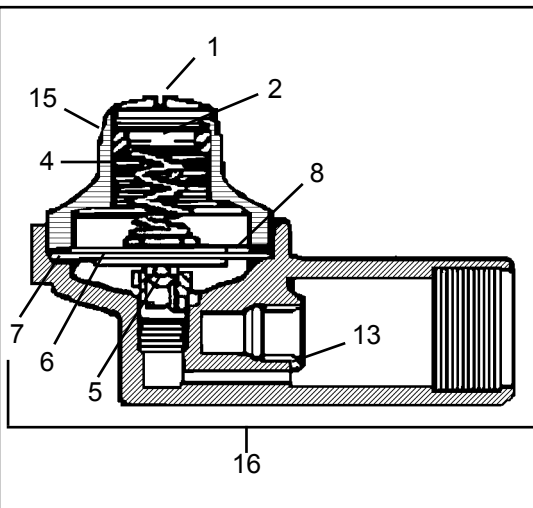




Item	Cat #	Description
1	41260	adjusting screw cap
2	41266	adjusting screw
3	41294	cap assembly
4	41261	spring
5	41262	brass bushing
6	41265	diaphragm assembly
7	41264	diaphragm
8	11477	brass washer
9	41273	complete regulator assy. rb
	41274	complete regulator assy. cp
10	41295	gland packing
11	41296	regulating screw
12	41297	o-ring (2 req'd)
13	41256	renewable seat
14	41244	complete regulator assy.
15	41298	cap assembly
16	41305	complete reg. assy. right hand
	41306	complete reg. assy. left hand

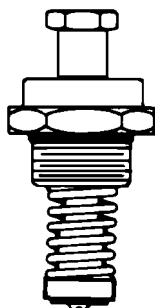
41267 rebuild kit for regulator with brass body includes items (4, 5, 6, 8)

41268 rebuild kit for regulator with brass or plastic body is same as above plus 41263 bushing



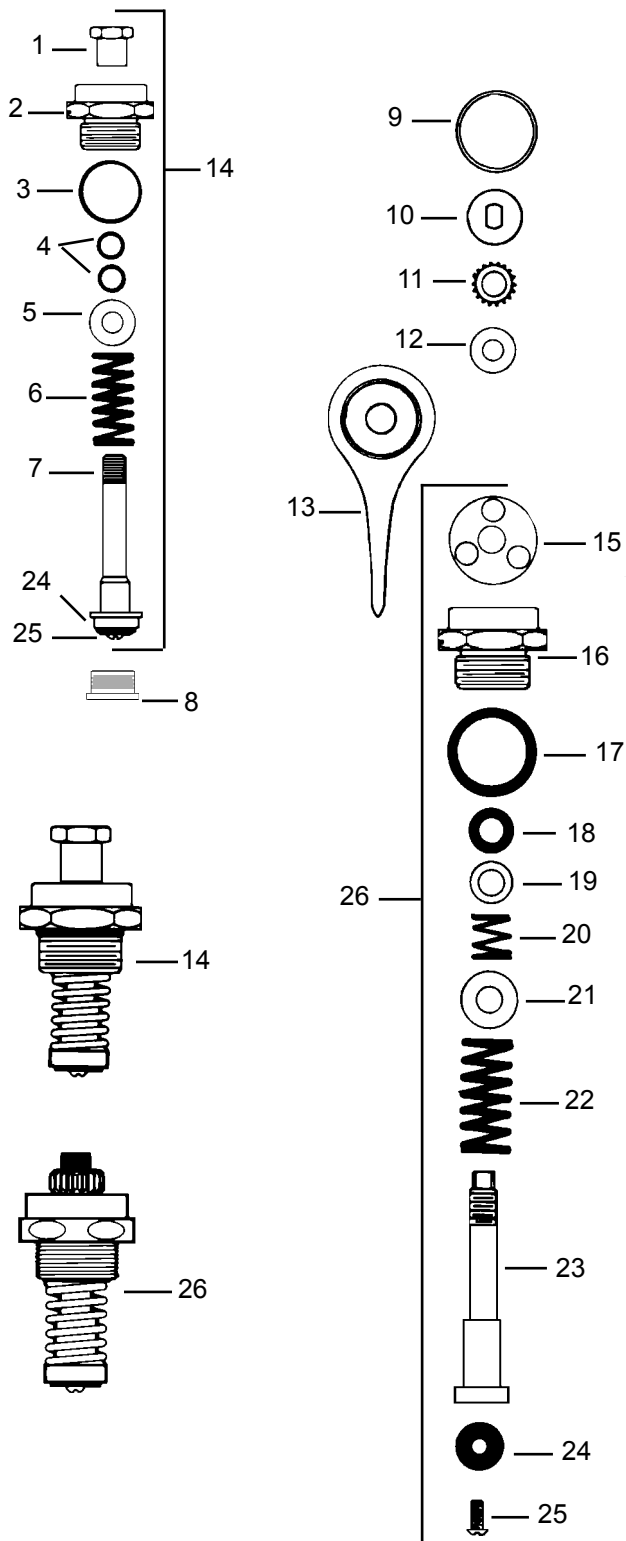
25531 pictured is a left hand regulator with the water line attached to the left side of the regulator.

25530 right hand regulator with water line



41278 celcon stem assembly (not included with regulator assembly)

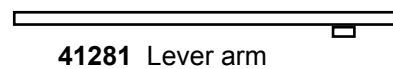
41279 brass stem assembly



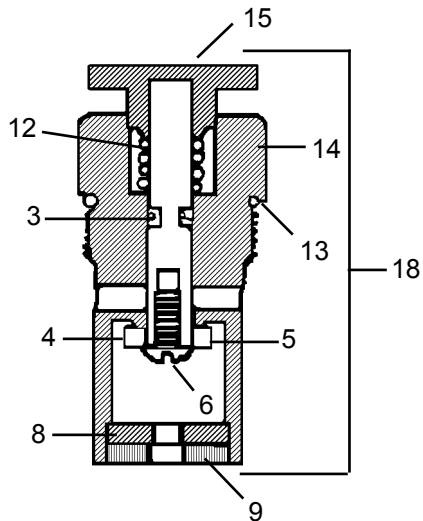
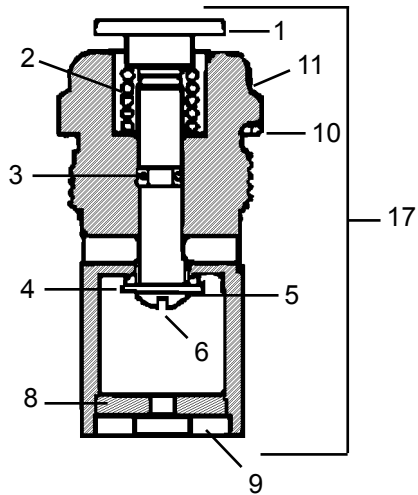
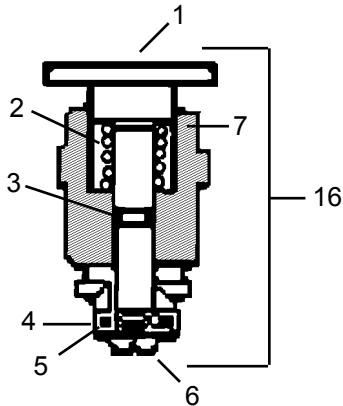
Item	Cat #	Description
1	*	bushing
2	*	seal cap
3	11517	o-ring
4	11532	o-ring
5	11437	washer
6	41253	valve spring
7	41277	valve stem assembly
8	41256	removable seat
9	41248	handle cap
10	41249	lock sleeve
11	41250	adjusting nut
12	11437	washer
13	41275	lever handle
14	41278	celcon stem assembly
15	41170	bearing
16	41254	valve incline
17	11347	gasket
18	11562	o-ring (2 req'd)
19	11419	washer
20	41251	packing spring
21	11448	washer
22	41253	valve spring
23	41252	valve stem
24	11007	seat washer
25	11030	screw
26	41279	brass stem assembly

*only available with item 14 complete

- 41258** brass stem rebuild kit includes items (12, 17, 19-25) and 2 each of item (18)
- 41280** ceclon stem rebuild kit includes items (3, 5, 6, 8, 24, 25) and 2 each of item (4)

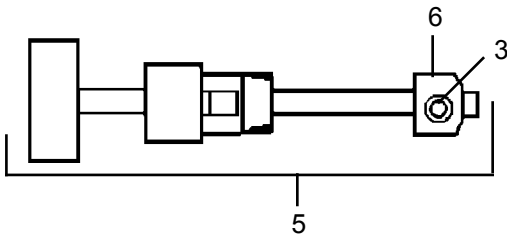
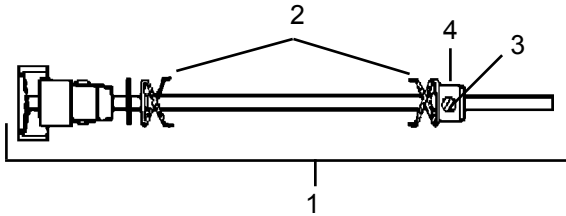


4

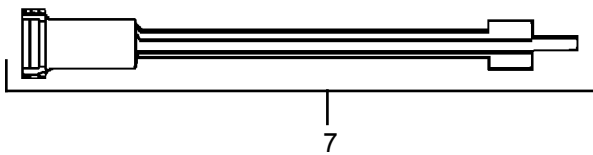


Item	Cat #	Description
1	41243	push button stem
2	41244	valve spring
3	11501	o-ring
4	41245	seat retaining cup
5	41246	seat washer
6	11030	seat washer screw
7	41247	valve sleeve
8	41289	sleeve washer
9	41287	sleeve seat washer
10	41286	seat washer
11	41290	valve sleeve
12	41291	valve spring
13	41292	o-ring
14	41293	valve sleeve
15	47333	push button stem
16	41283	complete push button assy.
17	41284	complete push button assy.
18	41299	complete push button assy.

41285 rebuild kit for 41284



Item	Cat #	Description
1	41270	rod assembly, 7-3/4"
	41271	rod assembly, 9-7/8"
	41272	rod assembly, 18"
2	41300	speed clip (2 each)
3	41301	set screw
4	41302	adjusting collar
5	41303	complete push button
6	41302	adjusting collar
7	41304	complete push button assy.

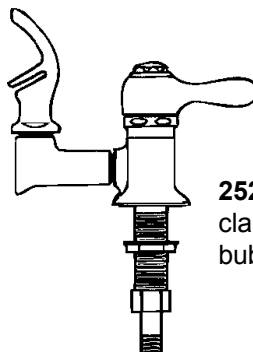


41283
push button
valve

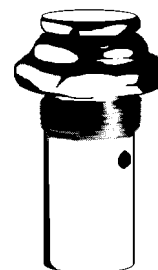


41269
bubbler head

11221
washer

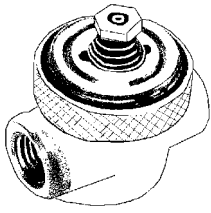


25256
classroom
bubbler valve

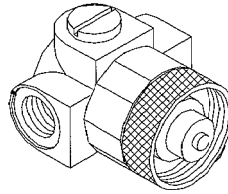


41284
push button
stem assembly



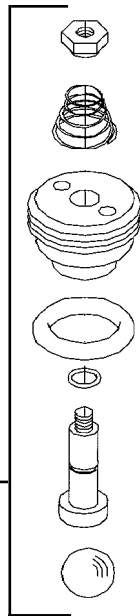


41301 Haws 5871 valve

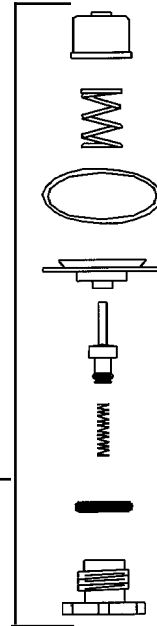


41310 Haws 5872 valve

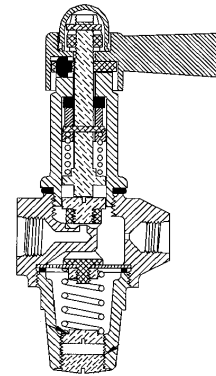
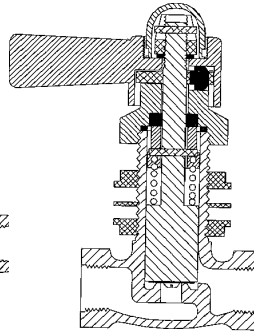
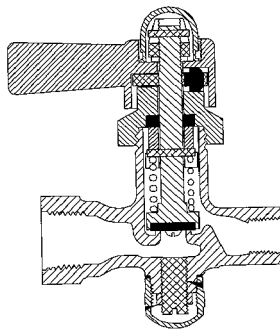
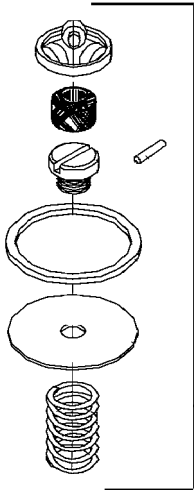
41300 Haws repair kit



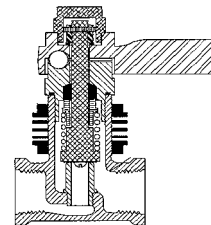
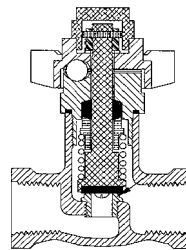
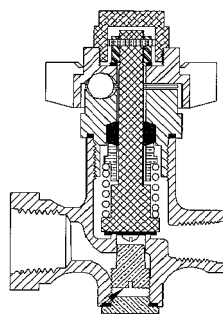
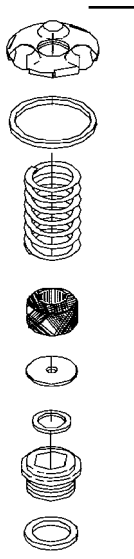
41309 Haws repair kit



4

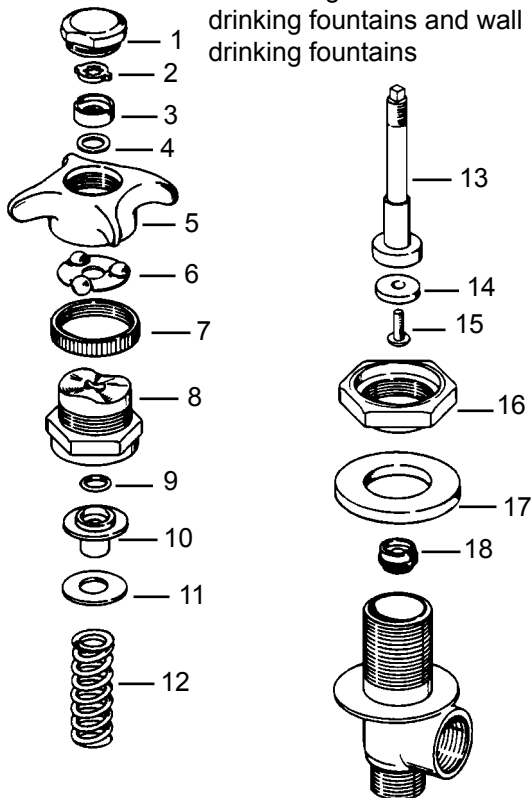


41303 Haws 5800 VRKM repair kit for models 5800, 5850, 5860
*not all items are shown in this kit

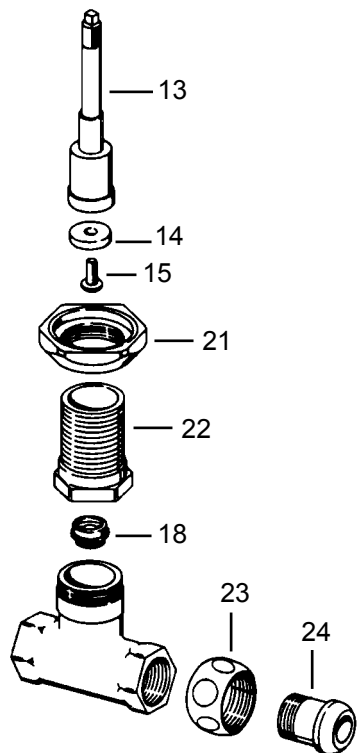


41304 Haws 5800 VRKR repair kit for models 5830, 5840, 5855
*not all items are shown in this kit

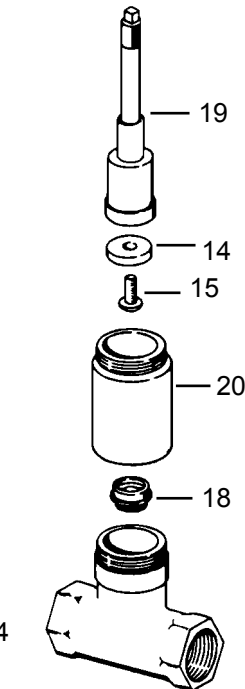
self closing valve for semi-recessed drinking fountains and wall hung drinking fountains



self closing valve for recessed drinking fountains



self closing valve for pedestal drinking fountains

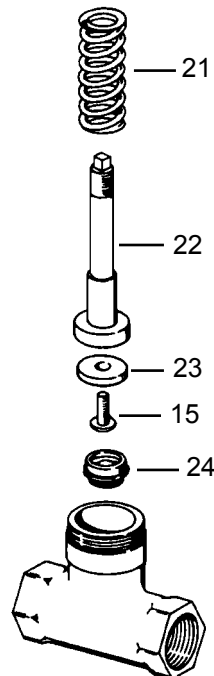
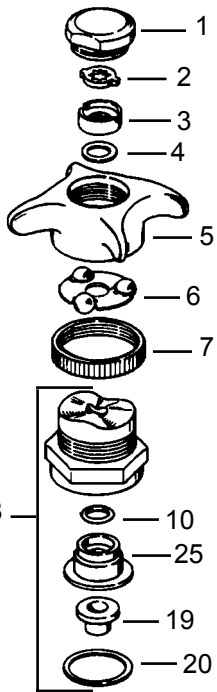
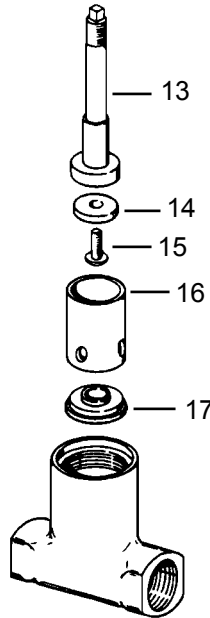
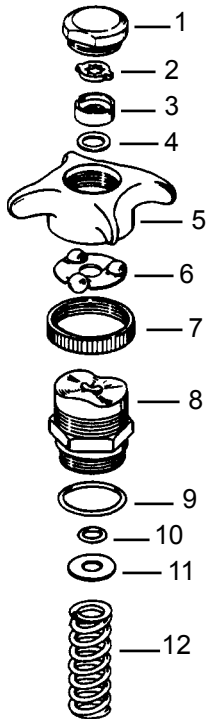


Item	Cat #	Description
1	42548	index button
2	42207	lock
3	42208	adjusting nut
4	11409	brass washer
5	42210	handle
6	42952	ball race
7	42952	bonnet ring
8	42554	bonnet assy. (includes 9-11)
9	11506	o-ring
10	42555	packing gland
11	11389	plastic washer
12	42550	spring
13	42551	stem
14	11006	3/8 flat washer
15	11030	monel screw
16	42558	body nut
17	11240	rubber washer (2)
18	12111	seat
	13111	monel seat
19	42574	stem
20	42576	connector
21	42558	body nut
22	42577	connector
23	42578	coupling nut
24	42579	tailpiece

42560 complete handle stem assy. includes items (1-16)
42575 complete handle stem assy. includes items (1-12, 14, 15, 19)
42561 rebuild kit includes items (9, 11, 12, 14, 15)

4

self closing valve for drinking fountain
with exposed supply fitting



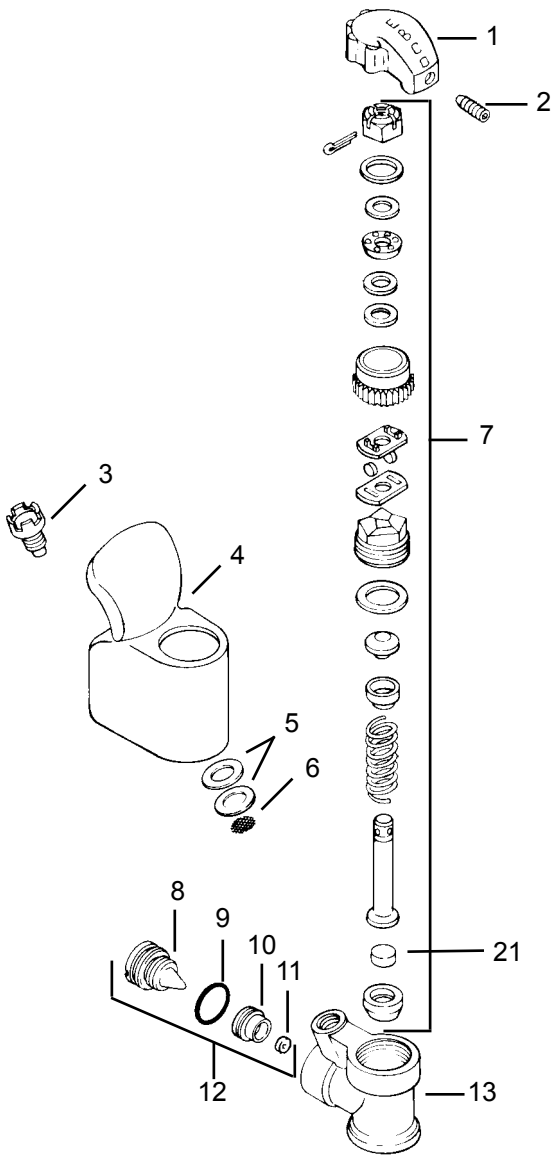
Item	Cat #	Description
1	42548	index button
2	42207	lock
3	42208	adjusting nut
4	11409	brass washer
5	42210	handle
6	42952	ball race
7	42549	bonnet ring
8	42576	bonnet
9	11518	o-ring
10	11506	o-ring
11	42577	washer
12	42213	spring
13	42578	stem
14	11001	o-flat washer
15	11030	monel screw
16	42579	sleeve
17	12116	seat
	13116	monel seat
18	41940	bonnet assembly
19	n/a	packing gland with 18 only
20	11384	plastic washer
21	42550	spring
22	42551	stem
23	11006	3/8 flat washer
24	12111	seat
	13111	monel seat
25	n/a	retainer with 18 only

42580 complete handle stem assy.
includes items (1-17)

42581 rebuild kit includes items (9, 10,
11, 12, 14, 15)

42552 complete handle stem assy.
includes items (1-7, 10, 15, 18-25)

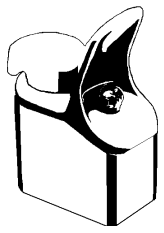
42553 rebuild kit includes items (10, 15,
20, 21, 23)



Item	Cat #	Description
1	41201	handle assembly (incl. item 2)
2	41200	handle set screw
3	41203	nozzle
4	41222	flex guard
5	41205	washer
6	41221	nozzle screen
7	41202	stem assembly
8	41227	adjusting needle
9	41228	o-ring
10	41229	flow washer retainer
11	41230	flow washer
12	41226	new style regulator kit
13	41213	valve body assembly includes items (7, 12, 13, 14)
14	41211	gasket
15	41212	washer
16	41206	adjusting screw
17	41207	spring
18	41208	nut
19	41209	sleeve & diaphragm assy.
20	41210	piston
21	41223	valve seat seal

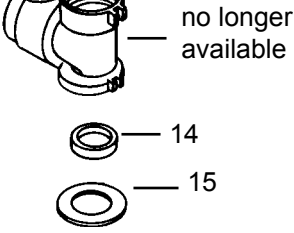
41214 old style regulator kit includes items (5, 17, 19, 20)

The old style valve body is no longer available for the Ebco model 12000 valve. Items 16-20 are available to rebuild the old style valve body.

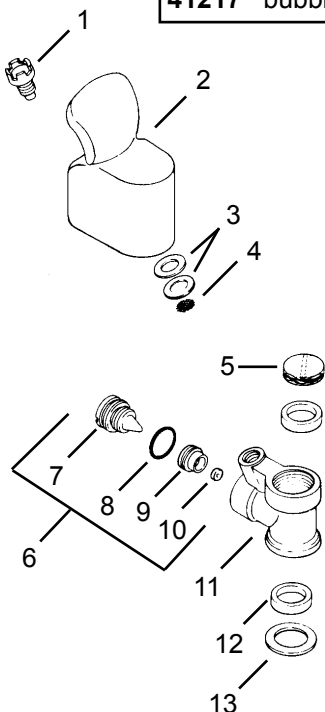


complete bubbler

- 41215** chrome plated brass bubbler
- 41215P** bubbler with rubber mouth guard



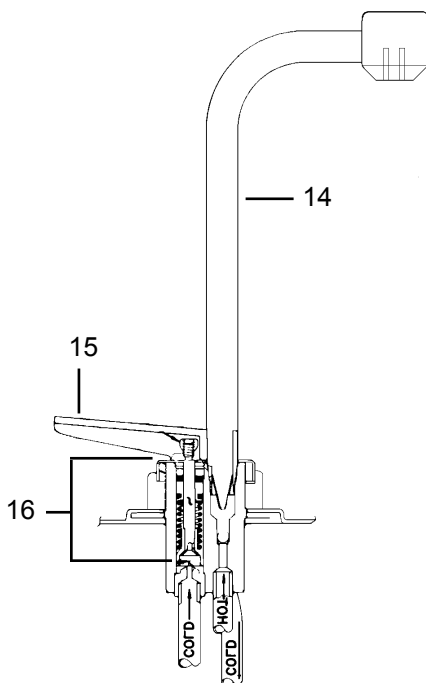
41217 bubbler complete



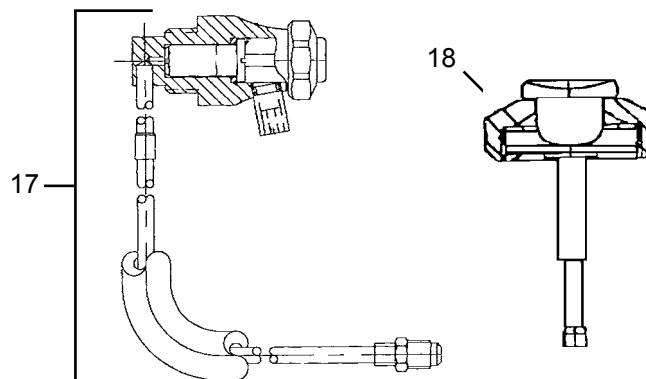
Item	Cat #	Description
1	41203	nozzle & straightner assy.
2	41224	flex guard
3	41205	washer
4	41221	screen
5	41225	plug
6	41226	repair kit
7	41227	adjusting needle
8	41228	o-ring
9	41229	flow washer retainer
10	41230	flow washer
11	41231	valve body assembly
12	41211	gasket
13	41212	washer
14	41232	spout
15	41216	hot handle
*16	41218	hot valve repair kit
17	47334	carafe filler assembly
18	47335	stem assembly

* repair kit includes guide, o-rings, bushing, stem & seat assembly, spring, tee nut and spanner wrench

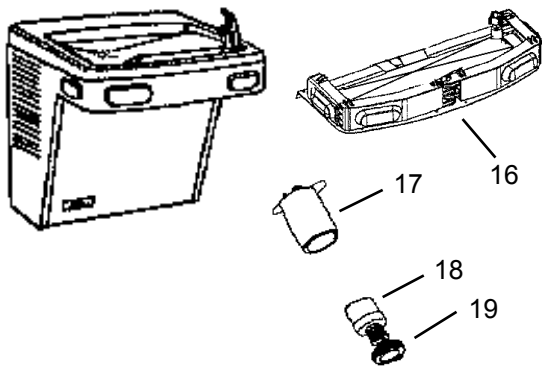
HOT VALVE ASSEMBLY



CARAFE FILLER ASSEMBLY & STEM



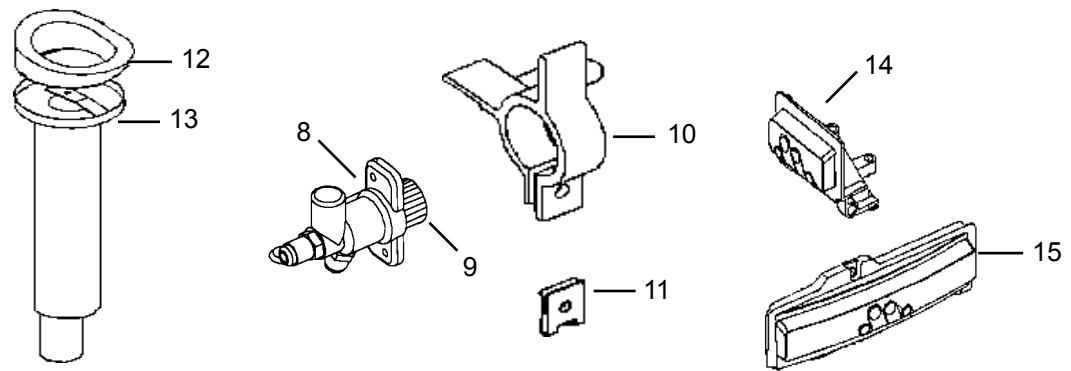
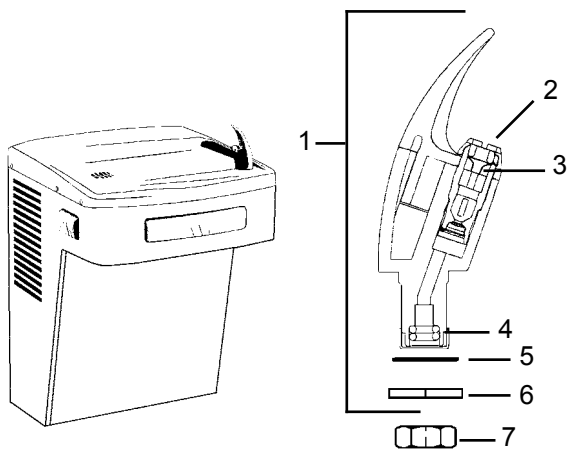
21200
P8AC water cooler



Parts not shown
40421 waste gasket (see item 12)
100371 cold control
100136 overload/relay combination
100137 sensor for P8ACEE

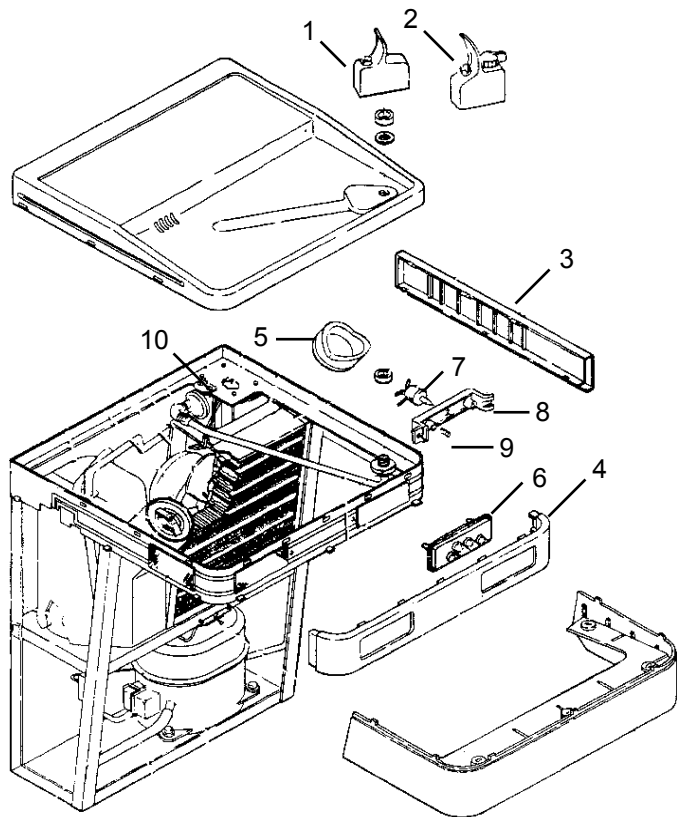
Item	Cat #	Description
1	41233	bubbler valve assembly
2	41234	nozzle assembly
3	40400	gasket
4	40401	o-ring
5	40402	gasket
6	40403	washer
7	40404	nut
8	40405	valve body
	40405A	valve body assy. (incl. item 9)
9	41202	stem assembly
10	40407	wheel arm
11	40408	wheel clip
12	40421	waste gasket
13	47336	waste assy, insulated
14	47337	right push button
	47338	left push button
15	47339	front push button
16	40398	activation shelf
17	40395	cartridge holder
18	47349	cartridge
19	100329	retaining nut

P8AM WATER COOLER

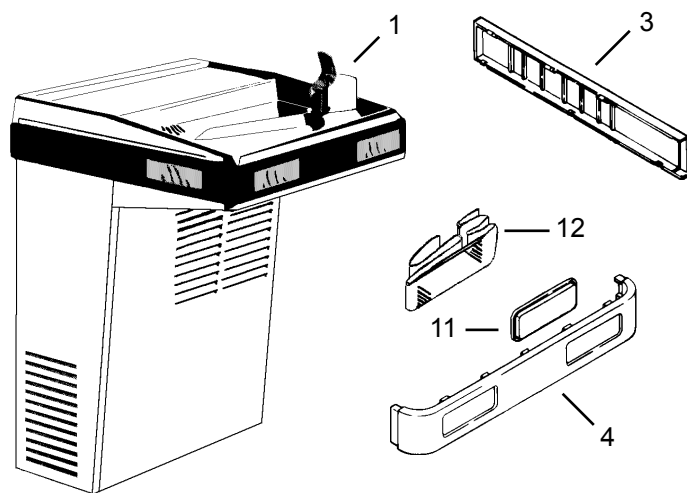


4

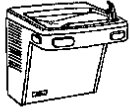
4



Item	Cat #	Description
1	41217	bubbler
2	41215	dial bubbler
	41215P	dial bubbler, plastic guard
3	NLA	right side bezel, open
	NLA	right side bezel, closed
	NLA	left side bezel, open
	NLA	left side bezel, closed
4	NLA	front bezel, open
	NLA	front bezel, closed
5	40420	waste gasket
6	40411	switch pad
7	40410	switch
8	40412	switch bracket
9	40413	compression spring
10	40409	solenoid valve
11	41241	switch pad
12	41242	membrane switch

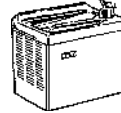


Barrier-Free Versacooler



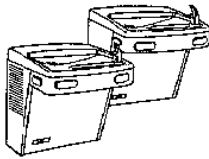
21200 P8AC
40421 waste gasket

Compact On-A-Wall



21230 PLF3CM
21231 PLF5CM
40423 waste gasket
41215 bubbler

Barrier-Free Split Level Versacooler



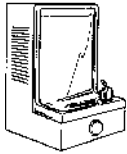
21205 P8ACSL
40421 waste gasket

Semi-Recessed



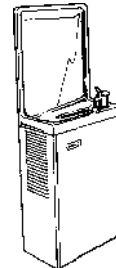
21235 PLF8S
40423 waste gasket
41215 bubbler

Barrier-Free



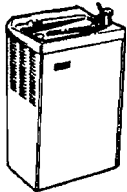
21210 PLF8SKPE
40423 waste gasket
41217 bubbler
47352 switch

Simulated Semi-Recessed



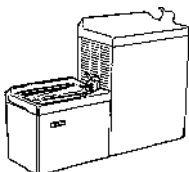
21240 PLF8SM
40423 waste gasket
41215 bubbler

On-A-Wall



21215 PLF5M
21216 PLF8M
40423 waste gasket
41215 bubbler

Split Level Side Fountain



21225 PLFCMSL
40423 waste gasket
41215 bubbler

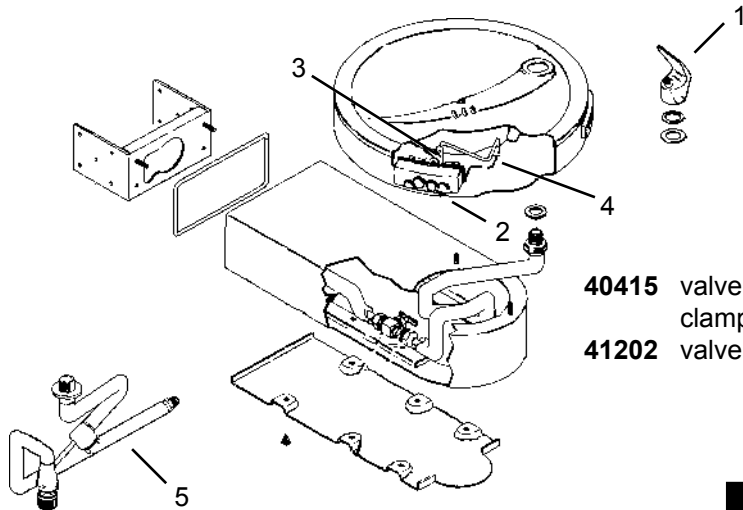
Free-Standing



21245 PLF3CP
21247 PLF5CP
21248 PLF10CP
40422 waste gasket
41215 bubbler

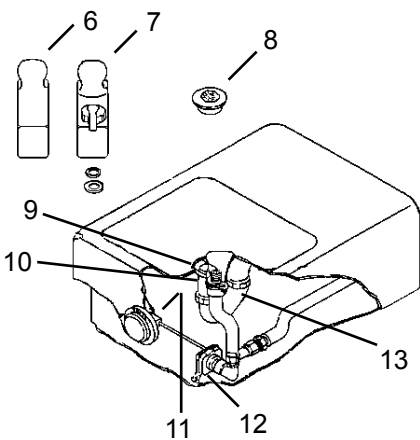
sandstone vinyl finish is standard



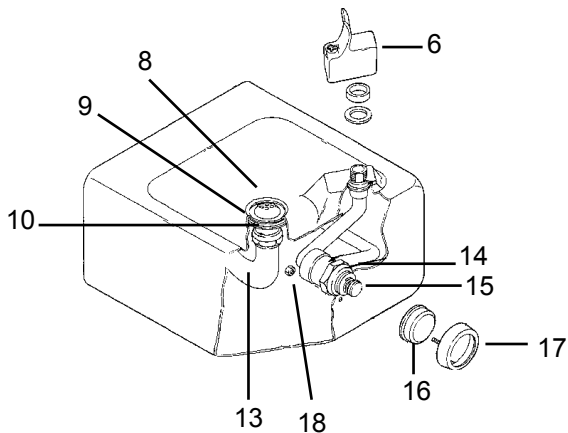


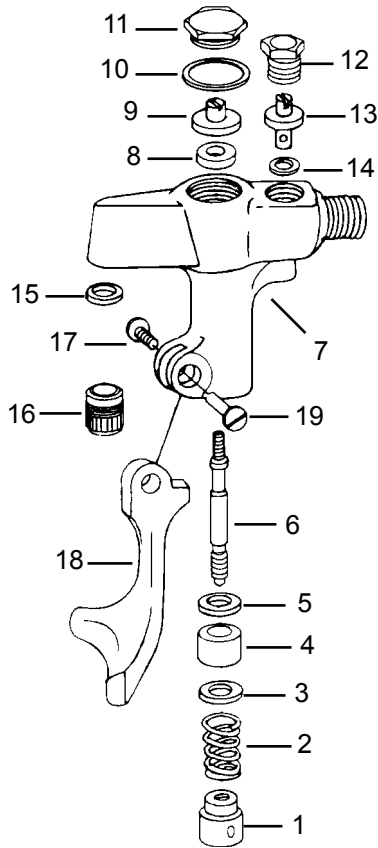
- 40415 valve stem assembly clamp (not shown)
- 41202 valve stem (not shown)

4

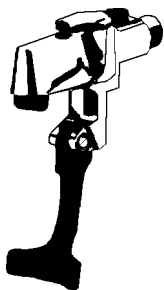


Item	Cat #	Description
1	47340	bubbler, cp
2	47341	push pad, satin
3	47342	push rod bearing
4	47343	push rod, LH
	47344	push rod, RH
5	47345	inlet tube & reg
6	41217	bubbler
7	41215	bubbler
8	40427	strainer assembly
9	40416	strainer assembly gasket
10	40428	waste tailpiece
11	47346	switch
12	47347	solenoid
13	47348	waste trap assy
14	47349	cartridge
15	47350	cartridge holder nut
16	47351	push button
17	47356	bezel
18	47357	nut

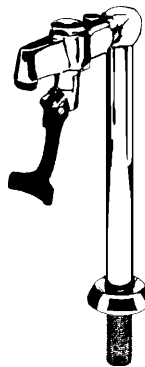




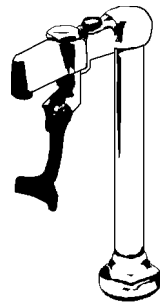
Item	Cat #	Description
1	44448	push button
2	44449	spring
3	44450	brass washer
4	44451	packing
5	44450	brass washer
6	44452	stem
7	n/a	body
8	11033	seat washer
9	44455	seat holder
10	44456	binding washer
11	44457	hex cap
12	44458	volume control unit
13	44459	volume control stem
14	44460	fibre washer
15	44461	washer
16	44463	outlet tip
17	44454	lever screw
18	44464	lexan arm
19	44453	lever nut



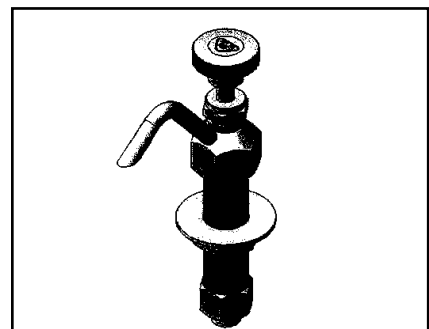
25630
B-1250



25631
B-1210 male



25632
B-1220 female



25615 B-2282 dipperwell faucet

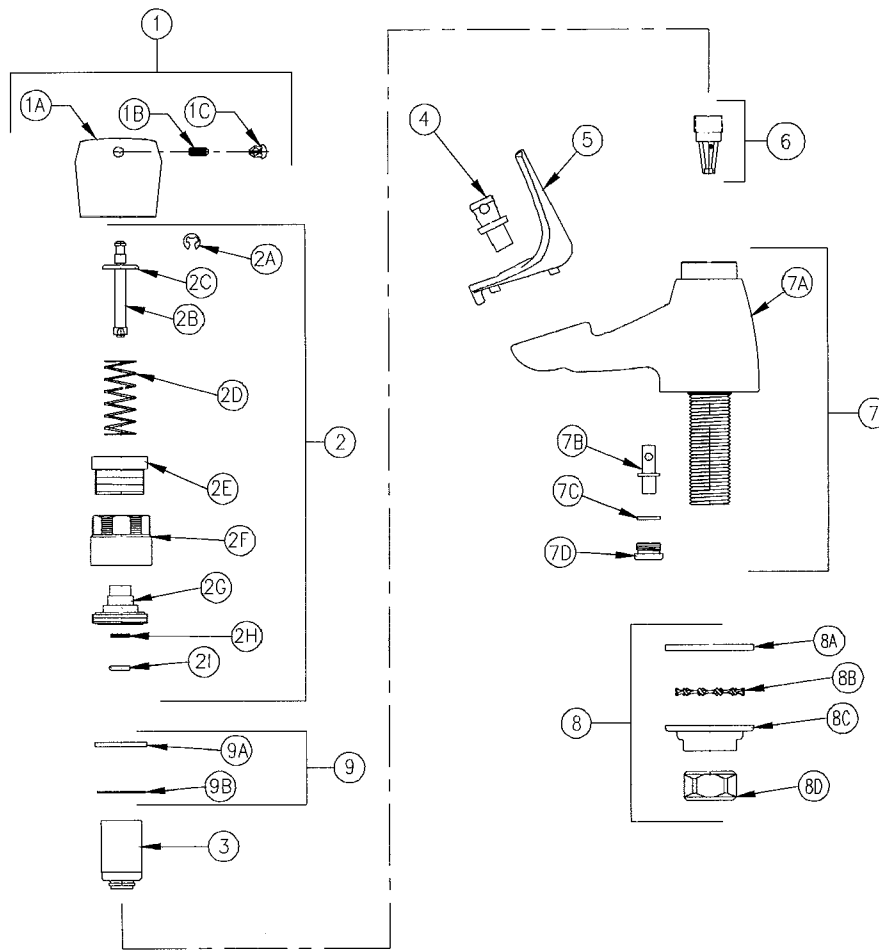
25616 repair kit includes (seat washer, stem assembly, handle, set screw)

25618 stem assembly

25219 handle assembly

4

4



Item	Cat #	Description
1	40805	metering handle assembly
1A	40806	metering handle
1B	40807	set screw
1C	40808	metering indexes H, C, T
	40809	hot index
	40810	cold index
	40811	tempered index
2	40812	handle nut assembly
2A	40813	retaining 'e' ring
2B	40814	stem
2C	40815	spring seat
2D	40816	return spring
2E	40817	adjustment nut
2F	40818	cap
2G	40819	stem housing
2H	40820	o-ring
2I	40821	o-ring retainer

Item	Cat #	Description
3	40822	poppet assembly w/sleeve
4	40823	bubbler adapter
5	40824	flexible mouth guard
6	40825	filter assembly
7	40826	body assembly
7A	40827	body
7B	40828	flow control
7C	40829	gasket
7D	40830	retainer nut
8	40831	mounting hardware
8A	40832	gasket
8B	40833	lock washer
8C	40834	mounting nut
8D	40835	1/2" riser nut
9	40836	cap sealing washer assy.
9A	40837	plastic ring
9B	40838	o-ring