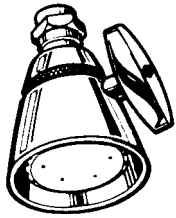


TABLE OF CONTENTS
Bath & Shower Parts Section

Shower heads.....	2
Tub spouts.....	3
Alsons accessories.....	4
Toilet seats.....	5
Toilet repairs.....	6-10
Partition hardware.....	11-12
American Specialties... 13-18	
Soap dispensers....	13-16
Napkin/Tampon.....	17
Hand dryers.....	18
American Standard.....	19-24
Bobrick.....	25-26
Bradley.....	27-29
Delta.....	30
Kohler.....	31-35
Lawler.....	36
Leonard.....	37-44
PAM II old style.....	37
PAM II new style....	38
Aquatrol 4500.....	39
210.....	40
MC-10-C.....	41
M-15, M-20.....	42
LVC.....	43
TM (50,80,125,150)44	
Logan.....	45
Moen.....	46-47
Powers.....	47-58
e700.....	47
400 Hydroguard.....	48-49
410 Hydroguard.....	50-52
420 Hydroguard.....	53-54
430 Hydroguard.....	55
900.....	56-57
Checkstop repair....	58
Symmons.....	59-66
Checkstop repair....	59
Safetymix.....	60-63
Showeroff 60.....	64
Temptrol.....	65
Tempcontrol.....	66



61004
Adjustable shower head
chrome plated brass 2.5"



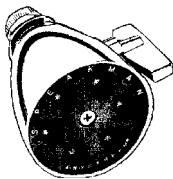
100438
Adjustable shower head
chrome plated brass 1.5"



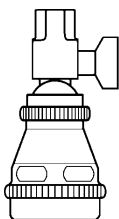
61001
Plastic shower head
cp brass connector
cp plastic body
adjustable spray face



60992
Plastic shower head
plastic connector
white plastic body
adjustable spray face



61012
Speakman Anystream
solid cp brass
adjustable flow
lexan plungers
vandal proof #61013



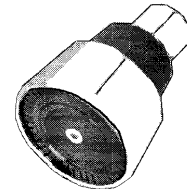
61006
Sloan Act O Matic
self-cleaning shower head
thumb screw volume control
chrome plated
rebuilding kit #61007
100412 w/o thumb screw



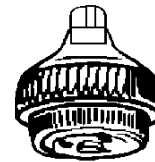
61000
American Standard
shower head



100855
Alsons low flow 1.6 gpm
fluidics technology with
brass connector



48778
Mixit shower head



61005
Massage shower head
five way spray

61014
Three way spray

61003
Vandal proof shower head
chrome plated brass

61002
Regular shower head

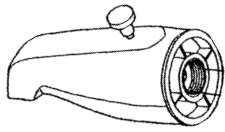
60993
Symmons shower arm

60996
Institutional shower head
with anchor plate, 2.5 gpm
replacement spray head #60998

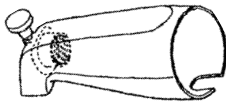
60999
Shower volume control

61010
Shower arm
100343
'S' shower arm, raise 10"

61011
Shower flange
61011V
Vandal proof flange



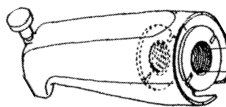
61015
Diverter spout with brass insert
61017
Diverter spout with plastic insert



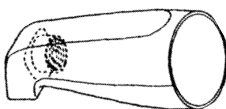
61018
Front diverter spout
61020
Moen cp brass front
diverter tub spout



61021
Perfect fit copper slip on di-
verter spout



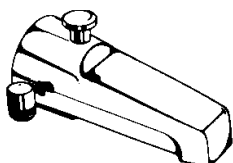
61022
Perfect fit 1" adjustable
diverter spout



61019
Chrome plated diverter spout
zinc die cast

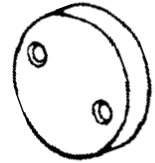


60303
Brass reducing bushing
3/4" x 1/2"

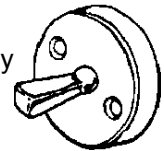


61040
Alsons chrome plated brass
5" diverter spout
61041
Alsons extra long 6-1/2"
diverter spout (pictured)

60300
Blank overflow plate



60301
Tub overflow plate assembly



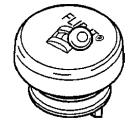
61106
Tip toe complete 1-1/4"
61107
Tip toe complete 1-1/2"



61108
Tip toe stopper 3/8"
61109
Tip toe stopper 5/16"
61111
Tip toe gasket only



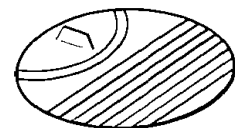
61105
Flip-it stopper 1-3/8" to 1-5/8"



11912
Fits all stopper for sink
11913
Fits all stopper for tub



11915
Flat suction stopper 5"



22109
Small beaded chain 1/8"
22110
Med. beaded chain 3/16"
22111
Large beaded chain 1/4"

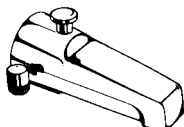




61051
Three way shower diverter valve, chrome plated brass



61047
Diverter for shower arm lever control, chrome plated brass



61041
CP brass extra long 6-1/2" diverter spout (pictured)



61053
CP plastic wall mount



61052
CP brass wall mount



61054
White plastic wall mount



61055
Chrome plated brass swivel



61056
Chrome plated plastic swivel



61050
Plastic vacuum breaker



61048
Vacuum breaker repair kit



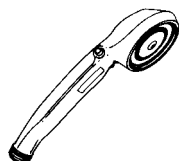
61049
Chrome plated brass v/b



61095
Chrome cup holder



61060
White hand shower holder

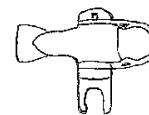


61062
Chrome shower arm mount

61035A
Hand held shower head

61036A
Hand held shower head with push button control

61057
ADA wall bar slide fits 1-1/2" wall bars



61058
Bar slide end cap
61059
Bar slide
61063
Complete 30" bar slide



61061
Bar slide with knob

61071
Knob only

61070
Plastic insert



61037
Shower hose washer



61029
White ultraflex hose 40"



61023
Black & chrome hose 60"

61024
Black & chrome hose 70"

61025
Black & chrome hose 84"



61026
White & chrome hose 60"

61030
White & chrome hose 70"

61028
White & chrome hose 84"



61031
Extendible double spiral stainless steel hose 60"-82"



61033
Stainless steel hose 60"

61034
Stainless steel hose 69"



61027
Reinforced vinyl hose 69"

61028V
Reinforced vinyl hose 84"





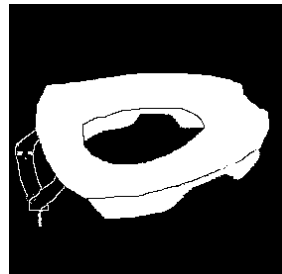
Toilet seat
 elongated, fireproof, open
 front, less cover, stainless
 steel check hinge
77140 white, heavy duty
77141 black, heavy duty
77142 white, extra heavy
77143 black, extra heavy



Lift toilet seat
 elongated, open front,
 less cover
77166 white, 2" lift
77167 white, 3" lift



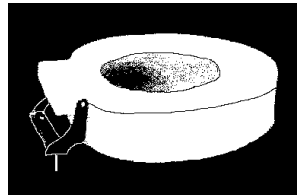
Toilet seat
 closed front with cover, top
 mount hinge
77156 white, regular
77157 white, elongated



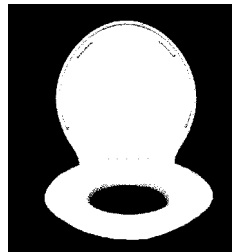
77163
 Lift toilet seat
 elongated, raises height of
 seat by 3-7/8", integrally
 molded open front



Toilet seat
 open front with cover, top
 mount hinge
77158 white, regular
77159 white, elongated
77146 white, elongated
 extra heavy duty



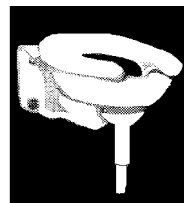
77189
 Lift toilet seat
 elongated, closed front,
 less cover, raises height of
 seat 4-1/2", accomodates
 elongated seats



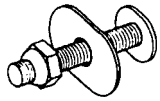
Big toilet seats, fits on all
 toilets round or elongated,
 2" higher than regular seat,
 rated over 1200 lbs.
76990 white, closed front
 with cover
76989 white, open front
 less cover



Toilet seat
 open front less cover,
 check hinge
77152 white, regular
77153 black, regular
77154 white, elongated
77155 black, elongated

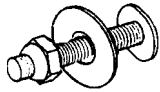


100016
 Toilet support for wall
 mounted toilets
 rated over 1000 lbs.
 height adjustment from
 7-1/2" to 14"



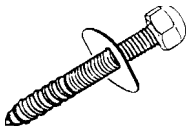
Brass closet bolts with oval washers and nuts

- 77027** 1/4" x 2-1/2"
- 77028** 1/4" x 3-1/2"
- 77029** 5/16" x 2-1/2"
- 77030** 5/16" x 3-1/2"



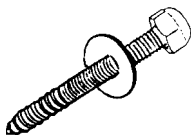
Brass closet bolts with round washers and nuts

- 77031** 1/4" x 2-1/2"
- 77032** 1/4" x 3-1/2"
- 77033** 5/16" x 2-1/2"



Brass closet screws with oval washers and nuts

- 77035** 1/4" x 2-1/2"
- 77036** 1/4" x 3-1/2"
- 77037** 5/16" x 2-1/2"



Brass closet screws with round washers and nuts

- 77038** 1/4" x 2-1/2"
- 77039** 1/4" x 3-1/2"
- 77040** 5/16" x 2-1/2"



Brass closet screws

- 77041** 1/4" x 2-1/2"
- 77042** 5/16" x 2-1/2"
- 77043** 1/4" x 3-1/2"



Open head nut

- 77044** 1/4" small head
- 77046** 1/4"
- 77048** 5/16"



Closed head nut

- 77045** 1/4"
- 77047** 5/16"



77049

Oval washer

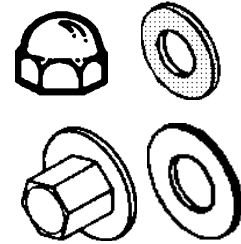


77050

Round washer

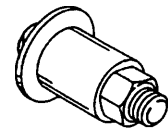
Closet and urinal carrier nuts and washer

- 54947** urinal nut
- 54948** urinal nut washer
- 77470** closet nut
- 77471** closet nut washer



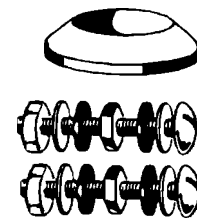
Urinal plug diam. height fits

- 56111** 23/32" 3/4" Am Std, Kohler
- 56112** 1" 1/2" Crane
- 56113** 5/8" 3/4" Kohler



Close coupled closet bolt kit each bolt contains:

- 2 brass hex nuts
- 2 brass washers
- 2 rubber washers
- 77018** (pictured)
- 77019** less sponge rubber gasket
- 77021** sponge rubber gasket only 3-1/4" x 2-1/16" x 3/4"



77022

Crane tank to bowl gasket 3-3/16" x 2-1/16" x 1-1/16"



77023

Gerber tank to bowl gasket 3-1/4" x 2-1/16" x 1-3/16"



77024

Kohler tank to bowl gasket 4-1/4" x 2-3/8" x 3/4"



77025

American Standard tank to bowl gasket, recessed bottom 1-3/16"

1-3/16"



77026

Tank to bowl gasket 3" x 2-1/4" x 1/2"



77116

Eljer tank to bowl gasket 3-5/32" x 2-3/8" x 7/16"



Bathroom



- Brass spud, brass friction ring, spud gasket and brass locknut
- 33064** 1-1/4"
 - 33065** 1-1/2"
 - 33066** 2"
 - 33067** 1" x 3/4"
 - 33068** 1-1/4" x 3/4"
 - 33069** 1-1/2" x 1-1/4"
 - 33070** 2" x 1-1/4"
 - 33071** 2" x 1-1/2"



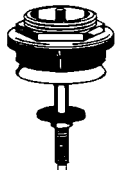
- Spud gasket
- 11586** 3/4"
 - 11587** 1"
 - 11588** 1-1/4"
 - 11589** 1-1/2"
 - 11590** 2"
 - 11591** 1" x 3/4"
 - 11592** 1-1/4" x 3/4"
 - 11593** 1-1/2" x 1-1/4"
 - 11585** 2" x 1-1/4"
 - 11594** 2" x 1-1/2"



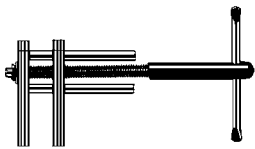
- Brass friction ring
- 11481** 1"
 - 11482** 1-1/4"
 - 11483** 1-1/2"
 - 11484** 2"



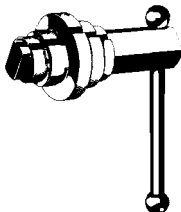
- Brass locknut
- 33072** 1"
 - 33073** 1-1/4"
 - 33074** 1-1/2"
 - 33075** 2"



- Kohler urinal spud
- 42610** 3/4"
 - 42611** 1-1/4"

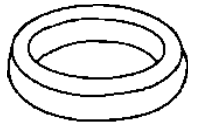


- 22017**
Internal spud wrench



- 22234**
For closet spuds, bath, basin and sink strainers through 2", 1" to 2" nipples

- 77000**
Plain wax gasket
- 77003**
Closet urethane wall hung gasket
- 77004**
Urinal urethane wall hung gasket



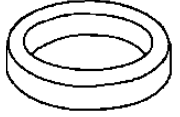
- 77001**
Wax gasket with flange fits 3" or 4" line
- 77002**
Wax gasket with flange for 4" line
- 76995**
Extra heavy wax gasket with flange



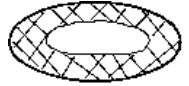
- Rubber gasket
- 77005** 9/16" x 5"
- 77006** 3/4" x 5"
- 77007** 1" x 5"



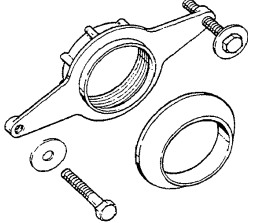
- Urinal sponge rubber gasket
- 77011** black 2" (soft)
- 77012** yellow 2"



- American Standard graphite gaskets
- 77016** 2"
- 77017** 3"



- 47355**
Kohler urinal outlet



- 77021B
Kohler urinal gasket 3-1/4" x 2-1/8" x 5/8"
- 77021A
American Std. urinal gasket 3-3/8" x 2" x 9/16"

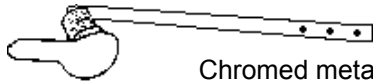
- 42612**
Kohler beehive urinal strainer assembly



- 55713**
Zurn neo-seal gasket kit

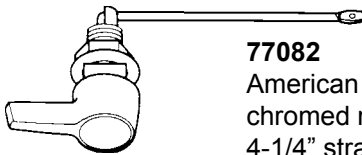
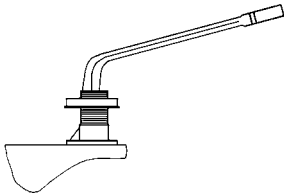


Bathroom



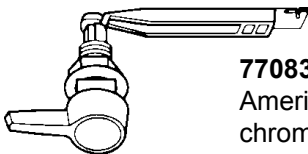
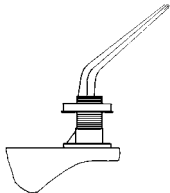
Chromed metal handle
with brass arm
77079 8"
77080 9"

77112
American Standard
chromed plastic handle
angle new cadet
77113
White plastic handle



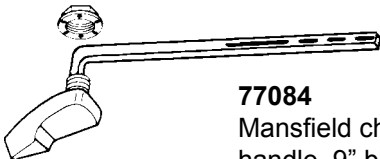
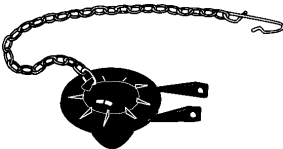
77082
American Standard
chromed metal handle
4-1/4" straight brass arm

77109
American Standard
chromed plastic handle
5-3/4" slight angle plastic arm



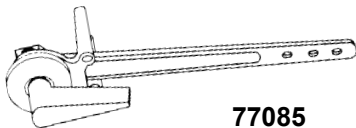
77083
American Standard
chromed metal handle
4-1/4" slight angle plastic arm

77065
Vinyl flapper with chain
77066
Vinyl flapper with chain
and adapter



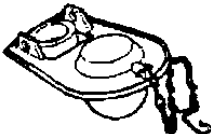
77084
Mansfield chromed plated
handle, 9" blue plastic arm

77061
Kohler flapper with chain



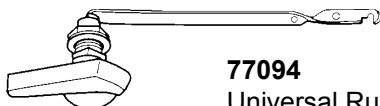
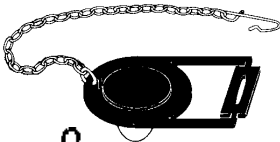
77085
Kohler, chromed metal
handle, brass arm

77063
Flapper with chain & hook



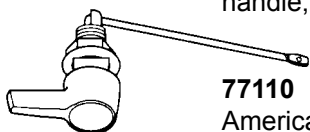
77086
Eljer, chromed metal
handle, 9-1/4" brass arm

77070
Crane flapper
77069
Case flapper

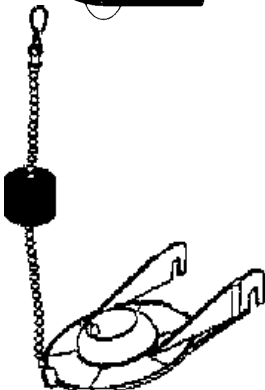


77094
Universal Rundle
chromed metal
handle, 8" brass arm

77073
American Standard flapper
with chain and float, new
style 1.6 gpf



77110
American Standard
chromed metal handle
6-1/8" straight brass arm

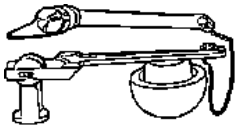




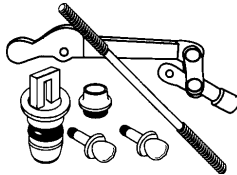
77060 3" triple seal tank ball
77064 2-1/4" to 2-3/4" triple seal ball
77068 triple seal heavy duty 3" tank ball



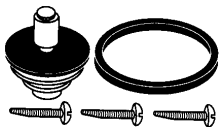
77058 2-1/2" tank ball
77062 Kohler tank ball
77124 Eljer tank ball



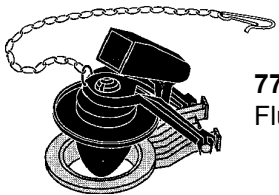
77125
 Eljer touch flush unit



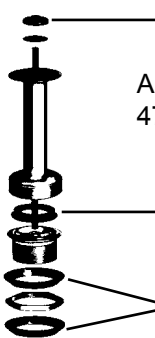
77305
 Case repair kit for SP-21



77258
 Coast repair kit for 5501

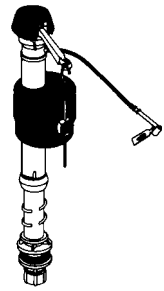


77129
 Fluidmaster flusher fixer



42800 rubber grommet
 American Standard flush valve
 47088-07, 3157.014, N-3055(os)
42801 molded seat washer
42820 beveled spud gasket

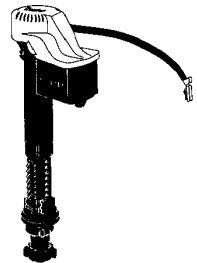
77131
 Fluidmaster Pro



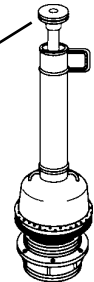
77132
 Fluidmaster ballcock seal



77114
 Korky fill valve



100392
 Mansfield new style flush valve 210
101041
 Cap only



77303
 Mansfield repair kit for #12 ballcocks



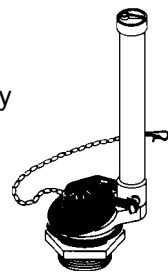
77127
 Mansfield rubber gasket, repairs 210/211 flush valves



77126
 Mansfield diaphragm, repairs 208/209 flush valves



77074
 Plastic flush valve assembly

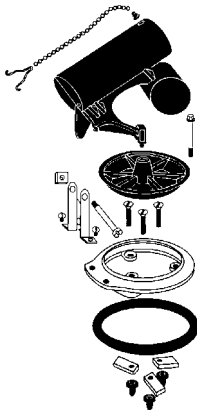




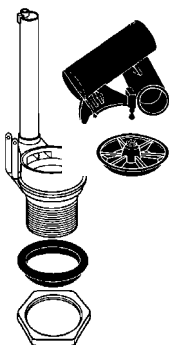
42816
Actuating unit for American Standard #4 new style flush valve



42818
Actuating unit for American Standard #5 old style flush valve



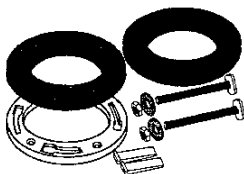
42824
Complete flush valve for American Standard #4 old style



42825
Complete flush valve for American Standard #5 new style

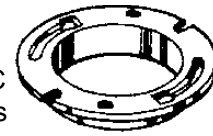


42805
Screw on seat disc
42819
snap on seat disc

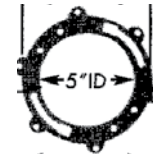


77547
Closet repair flange kit

77545 Toilet flange, C.I.
78202 Twist n set flange, PVC
78203 Compression flange, PVC
100622 Toilet flange with stainless steel collar, PVC



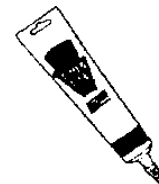
78201 Toilet repair flange



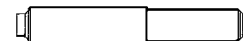
77015 Toilet repair flange



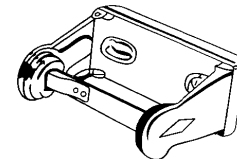
Acrylic tub and tile caulk 5.5 oz.
66116 white
66117 almond



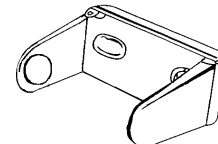
77660 Tissue roller, cp
77661 Tissue roller, white



22456 Single tissue holder
22457 Dual tissue holder



22458 Shoreline single tissue holder
22459 Shoreline dual tissue holder



Beaded chain
22109 1/8" small
22110 3/16" medium
22111 1/4" large



'L' coupling
22117 1/8" small
22118 3/16" medium
22119 1/4" large

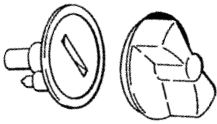


'E' coupling
22112 1/8" small
22114 3/16" medium
22116 1/4" large

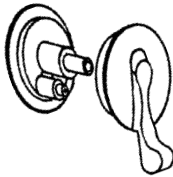


Key ring
22127 3/4" medium
22128 1" large

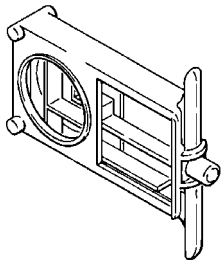




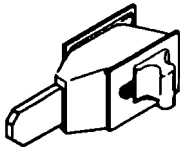
77601
Knob and latch assembly



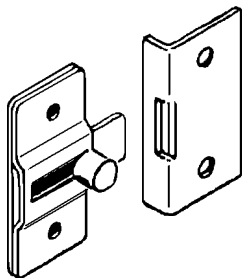
77602
ADA knob and latch assy.



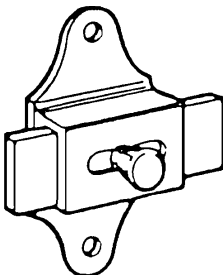
77603
Concealed door lock



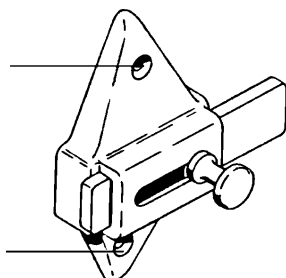
77604
Slide bolt and latch



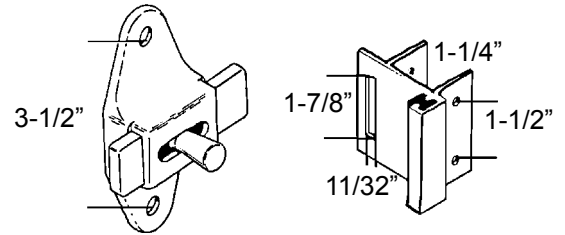
77625
Stainless steel slide latch,
1-7/8" between centers
77626
Stainless steel keeper,
1-7/8" between centers



77606
Slide bolt and latch,
2-5/8" between centers

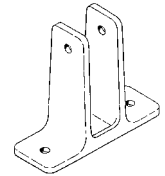


77605
Slide bolt and latch,
2-3/4" between centers

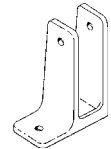


77611
Slide latch, 3-1/2" between centers
77612
Keeper assembly
77610
Slide latch and keeper with bolts

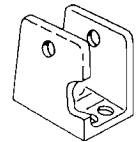
Two ear wall bracket
77632 1"
77633 1-1/4"



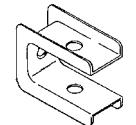
One ear wall bracket
77634 1"
77635 1-1/4"



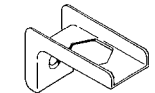
U bracket
77636 1"
77637 1-1/4"



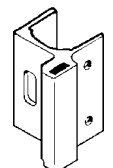
77638
Top door insert for doors
1" thick



77639
Bottom insert for doors
1" thick



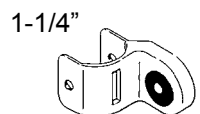
77620
Accommodates concealed latch
with round bar, 1-1/2" between
centers, 1-1/4" door thickness

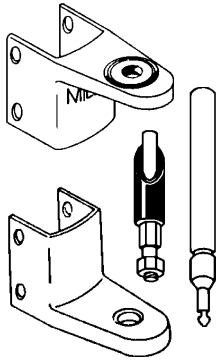


77620
Accommodates concealed latch
with round bar

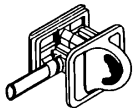


77621
Accommodates concealed latch
with rectangular bar

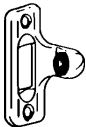




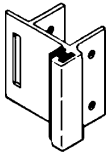
77502
Mills hardware package includes
hinge set, slide & bumper



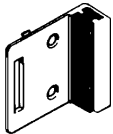
77504
Mills slide bolt and latch
new style (concealed)



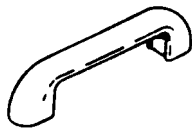
77505
Mills bumper keeper
1-5/8" between centers



77506
Mills bumper keeper



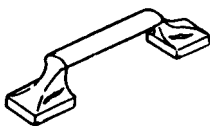
77507
Mills bumper keeper



77508
Door pull, 3-1/2" between centers



77509
Door pull, 2-3/4" between centers



77510
Door pull, 2-5/8" between centers

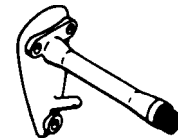


77511
Door pull, 4" between centers

77512
Coat hook



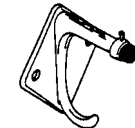
77513
Coat hook and bumper



77514
Coat hook two prong



77515
Coat hook and bumper



Pilaster shoes with screws

77640 2" x 1-1/4"

77641 3" x 1-1/4"

77642 4" x 1-1/4"

77643 5" x 1-1/4"

77644 6" x 1-1/4"

77645 7" x 1-1/4"

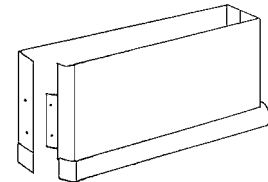
77646 8" x 1-1/4"

77647 9" x 1-1/4"

77648 10" x 1-1/4"

77649 11" x 1-1/4"

77650 12" x 1-1/4"



One way toilet partition fasteners

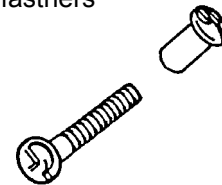
14247 1/2"

14248 3/4"

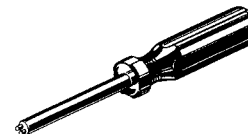
14249 1"

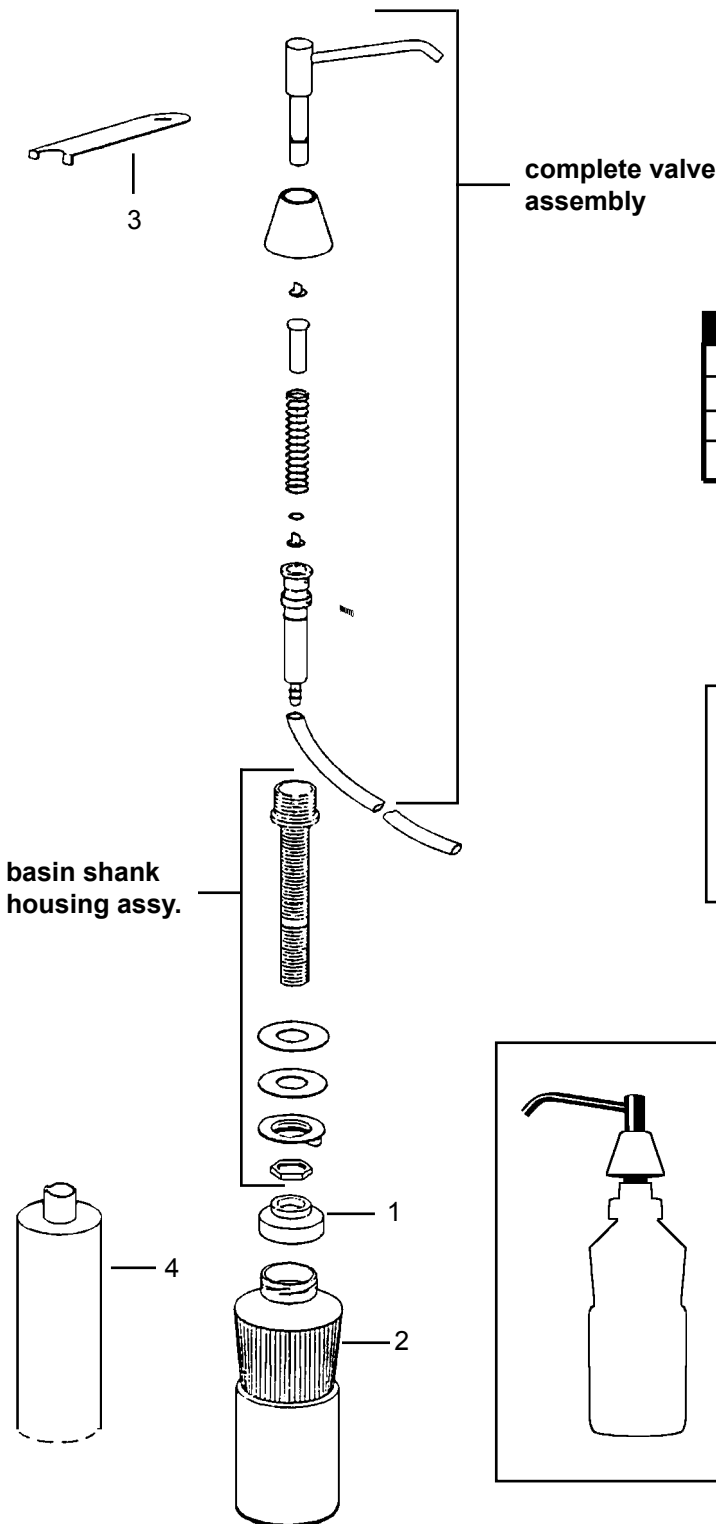
14250 1-1/4"

14251 1-1/2"



14255
Removal tool #8-10
for all sizes





Item	Cat #	Description
1	22750	bottle cap
2	22751	plastic bottle 34 oz.
3	22745	spanner wrench
4	22803	plastic bottle 20 oz.

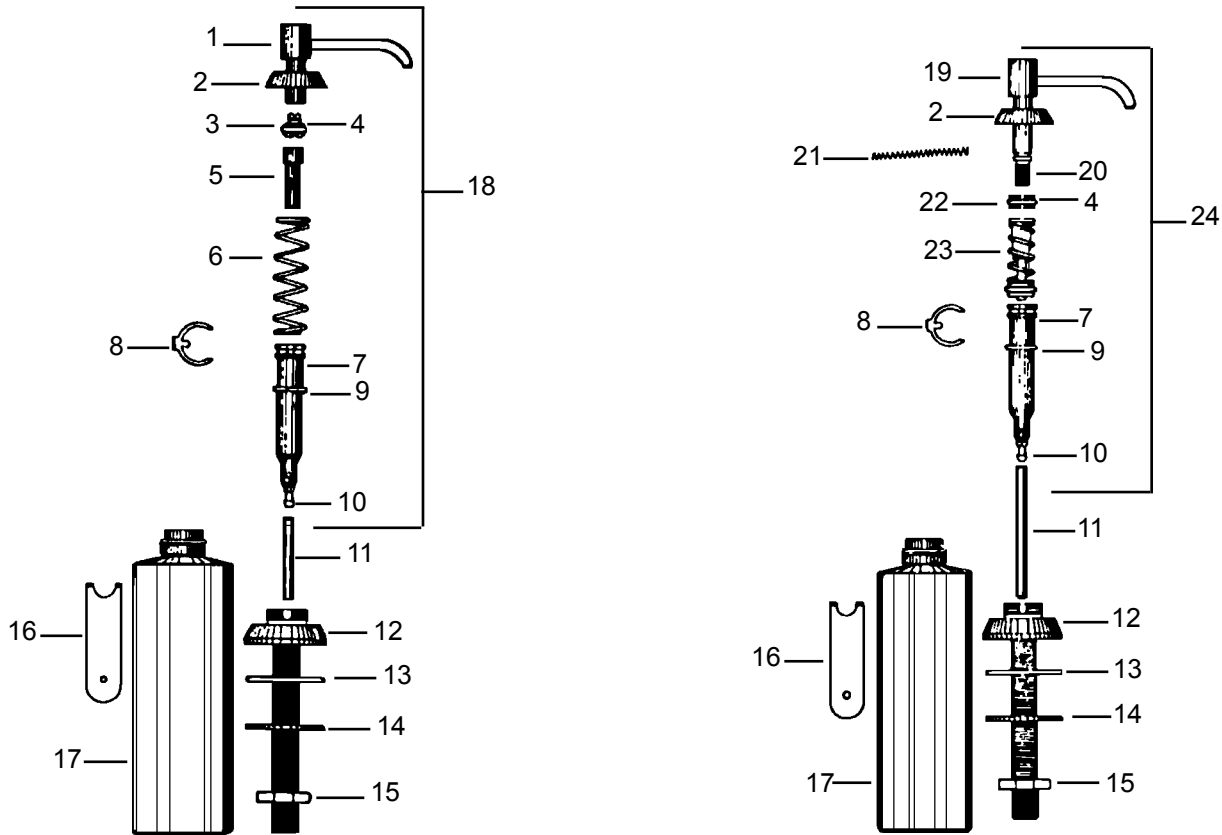
22804
complete valve assembly, 4" spout
22805
complete valve assembly, 6" spout
22806
basin shank housing assembly

25100
complete liquid dispenser,
4" spout, 20 oz. bottle

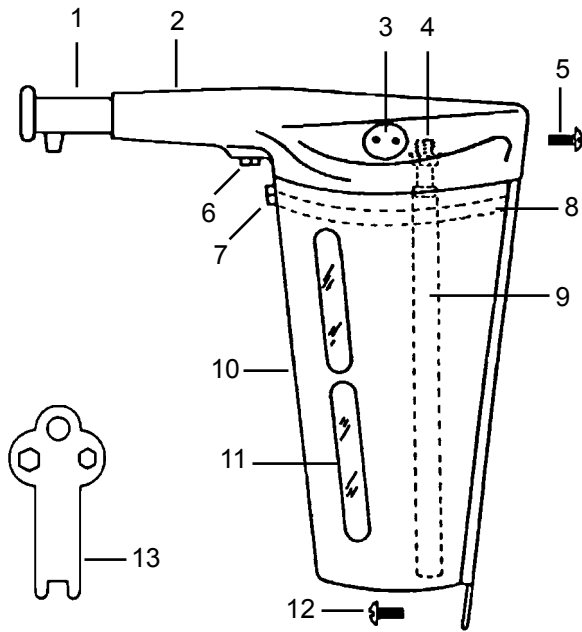
25101
complete liquid dispenser,
4" spout, 34 oz. bottle

25102
complete liquid dispenser,
6" spout, 20 oz. bottle



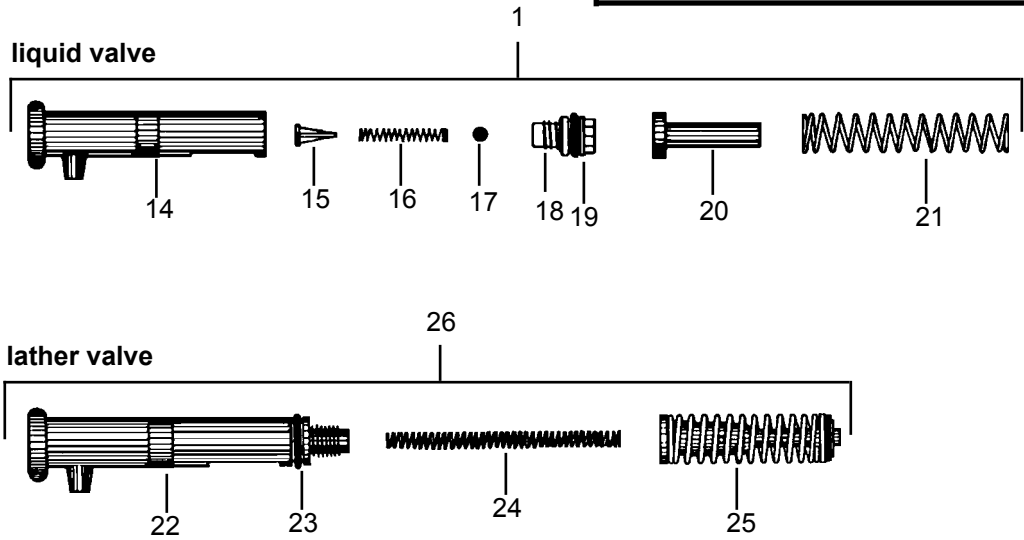


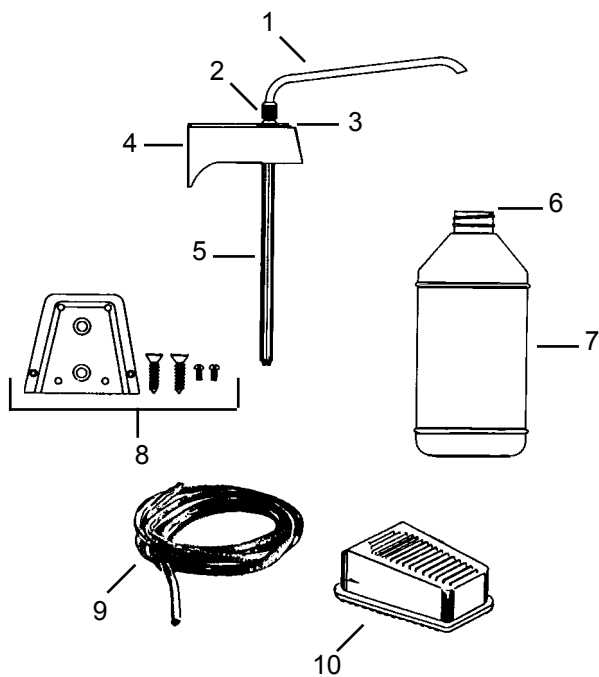
Item	Cat #	Description
1	22746	piston spout assembly 4"
2	22726	collar nut
3	22747	piston nut assembly
4	22731	piston o-ring
5	22748	spacer
6	22749	main spring
7	22733	cylinder
8	22732	lock ring
9	22734	cylinder o-ring
10	22735	check valve assembly
11	22736	supply tube
12	22739	shank housing assembly
13	22740	shank flange gasket
14	22741	shank washer
15	22742	shank nut
16	22745	service wrench
17	22743	poly globe 16 oz.
18	22738	liquid valve assembly
19	22724	lather spout assembly 4"
20	22727	lather spout o-ring
21	22728	lather spring
22	22729	lather spool
23	22730	rear valve assembly
24	22737	lather valve assembly



25109
liquid soap dispenser complete
25110
lather soap dispenser complete

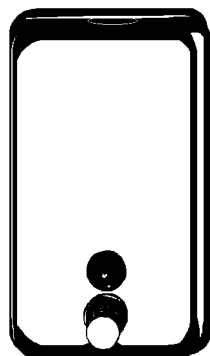
Item	Cat #	Description
1	22709	liquid valve
2	22696	body
3	22698	cap & chain
4	22691	check valve assembly
5	22690	rear screw
6	22695	set screw
7	22697	screw
8	22692	gasket
9	22683	tube
10	22699	case
11	22693	glass globe
12	22694	screw
13	22700	key
14	22701	piston
15	22702	ball stop
16	22703	spring
17	22704	ball
18	22705	piston nut assembly
19	22706	piston nut o-ring
20	22707	spacer
21	22708	spring
22	22710	lather piston
23	22706	piston o-ring
24	22711	lather valve screen
25	22712	rear valve assembly
26	22713	lather valve





Item	Cat #	Description
1	22669	stainless steel spout
2	22665	tube nut, knurled
3	22668	tube nut, ferrule
4	22660	housing
5	22663	supply tube with check
6	22661	golbe gasket
7	22662	poly globe 1 qt.
8	22664	mounting kit
9	22666	air tube 8 ft.
10	22667	foot pedal pump

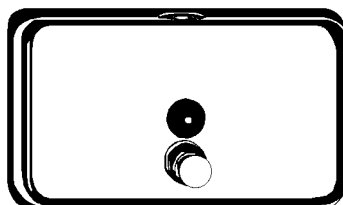
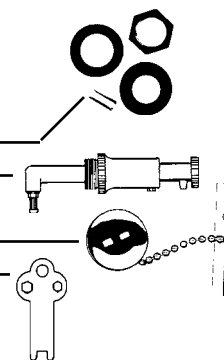
25108
foot operated dispenser complete



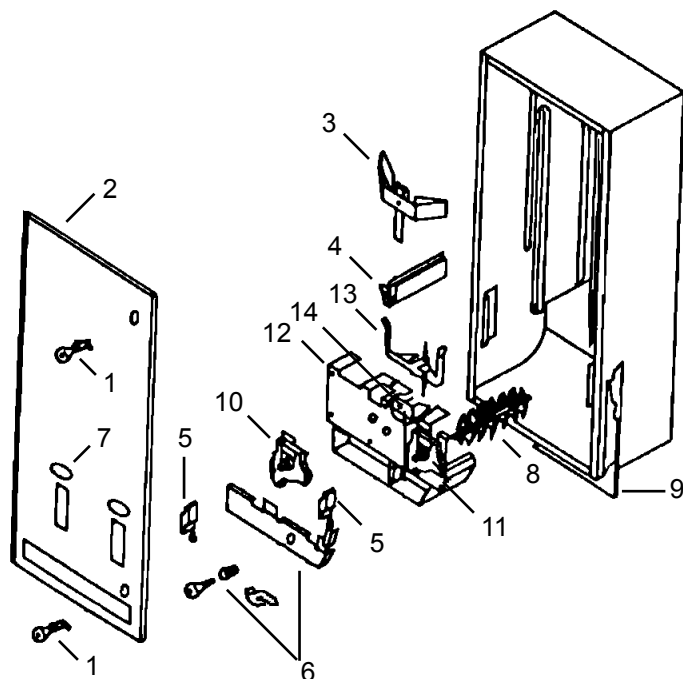
25105
vertical soap dispenser
stainless steel with satin finish
concealed filler top
unbreakable window
capacity: 40 fluid ounces
dimensions: 4-3/4" x 8-1/8" x 5-1/4"

replacement parts

22717	nut for sight gauge
22718	o-ring for sight gauge
22719	sight gauge plastic
22720	adapter kit
22715	liquid soap valve
22716	lather soap valve
22650	filler cap & chain
22700	filling key

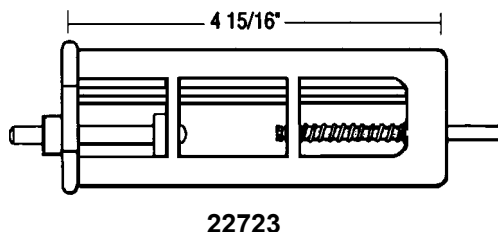
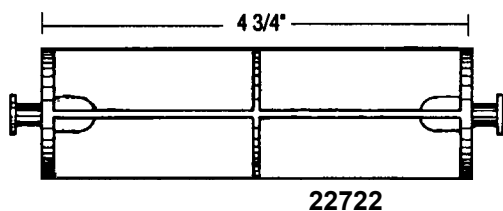
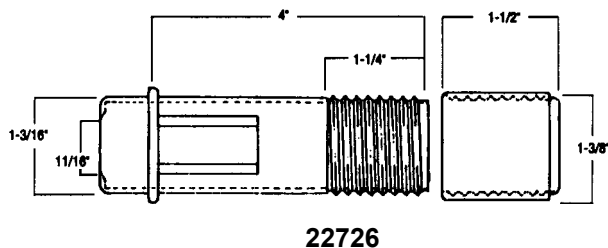
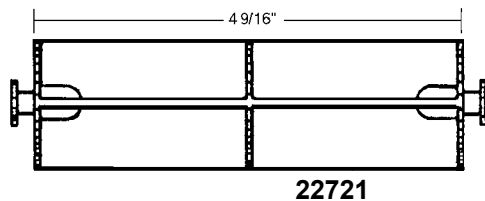
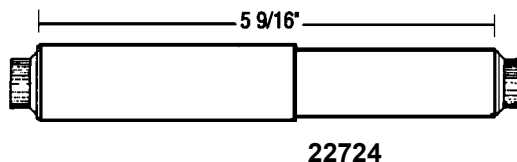
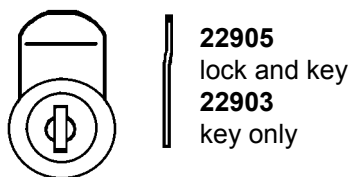


25106
horizontal soap dispenser
stainless steel with a satin finish
concealed filler top
unbreakable window
capacity: 40 fluid ounces
dimensions: 8-1/8" x 4-3/4" x 5-1/4"

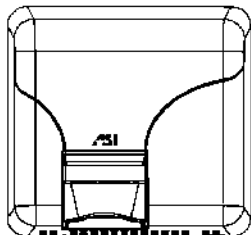


Item	Cat #	Description
1	22905	lock & key for door
	22903	key only
2	22906	complete door assembly
3	22907	napkin weight
4	33908	tampon weight
5	22909	mechanism handle
6	22911	coin box with lock & key
	22936	key only
7	22714	coin plate 25¢
8	22916	tampon rotor
9	22917	flange & mounting screw
10	22920	*coin mechanism napkin 25¢
11	22922	*coin mechanism tampon 25¢
12	22926	mounting plate only
13	22927	two stack finger plate
14	22928	flipper horn with washers

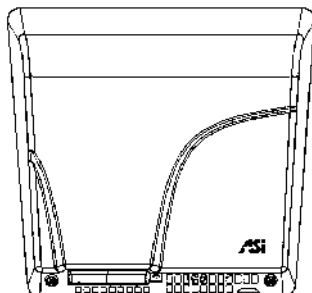
*coin mechanisms for 5¢, 10¢, 50¢ or FREE available upon request



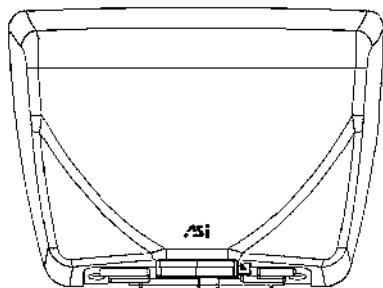
Please call for parts available on older models

MODEL #0141

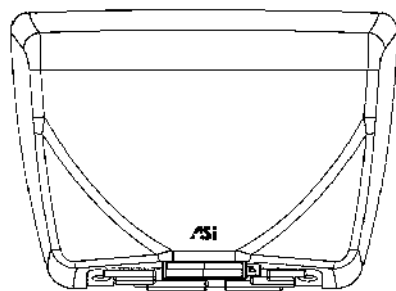
- 22978** Motor 1/8 HP @ 120 Vac
- 22979** Circuit Board Module 100-120 Vac
- 22980** Thermostat (TLC)
- 22981** Heater assembly 100-120 Vac

MODEL #0165

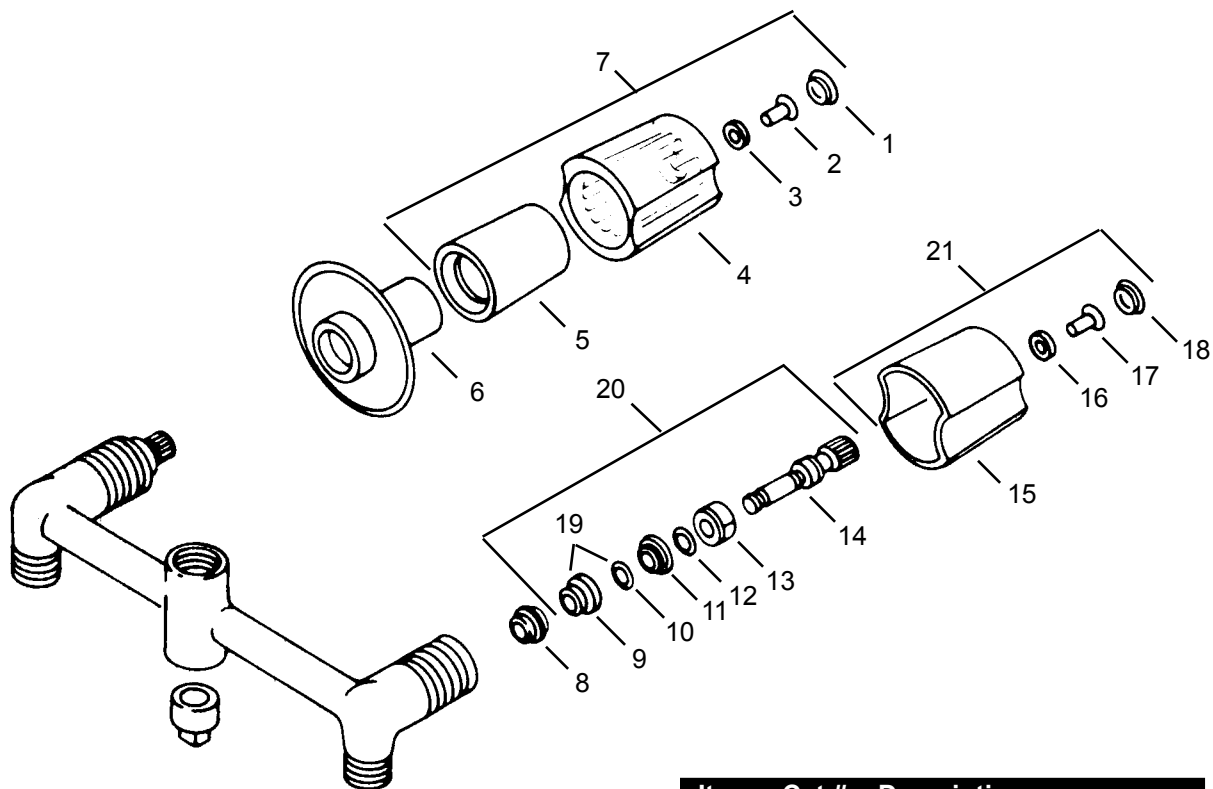
- 22971** Motor
- 22972** Circuit Board Module
- 22973** Thermostat (TLC)
- 22976** Sensor Module, 7" cable
- 22977** Heater assembly

MODEL #0185

- 22971** Motor
- 22972** Circuit Board Module
- 22973** Thermostat (TLC)
- 22974** Sensor Module, 10-5/8" cable
- 22975** Heater assembly

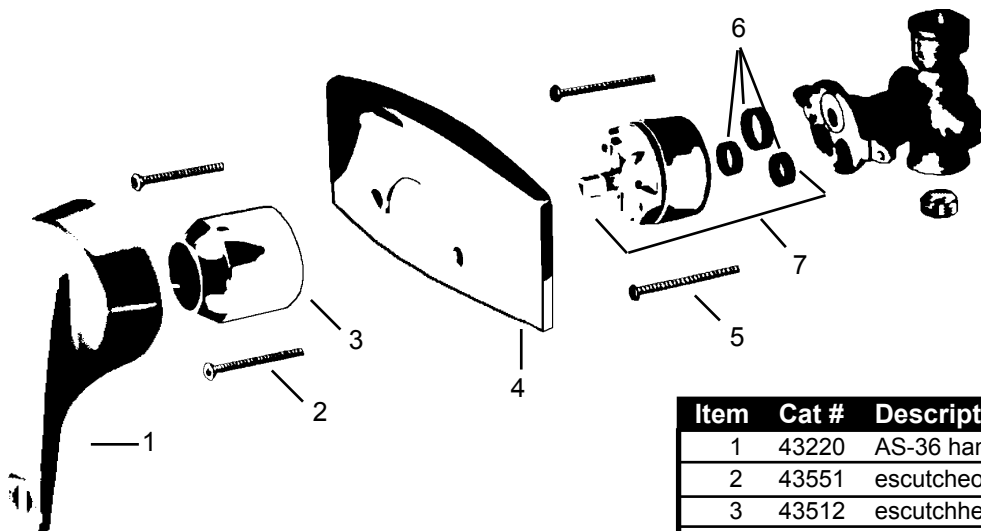
MODEL #0195

- 22971** Motor
- 22972** Circuit Board Module
- 22973** Thermostat (TLC)
- 22974** Sensor Module, 10-5/8" cable
- 22975** Heater assembly

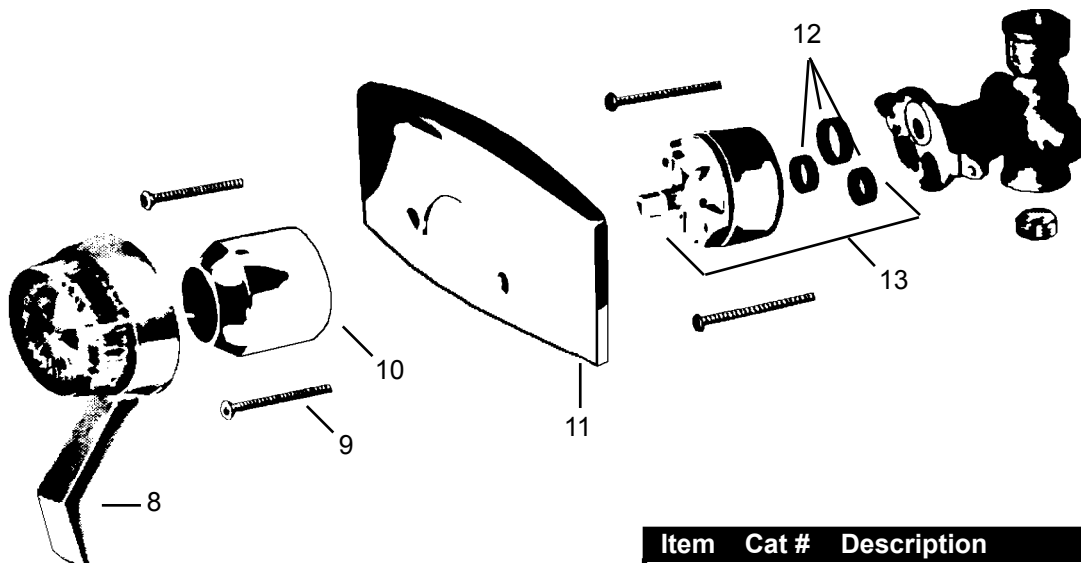


Item	Cat #	Description
1	43000	hot index button
2	14063	handle screw
3	43003	seal washer
4	43449	clear handle
5	n/a	handle insert (with item 7)
6	43451	escutcheon
7	43457	clear handle assembly (pair)
8	12011	seat
9	43006	diaphragm
10	*	swivel (w/item 19 or 20)
11	*	stop ring (w/item 20)
12	*	washer (w/item 20)
13	*	stem nut (w/item 20)
14	*	stem (w/item 20)
15	43448	metal handle
16	43028	lock washer
17	14063	handle screw
18	43001	cold index button
19	43007	diaphragm w/swivel (pair)
20	43008	stem assembly left hand
	43009	stem assembly right hand
21	43456	metal handle assembly (pair)

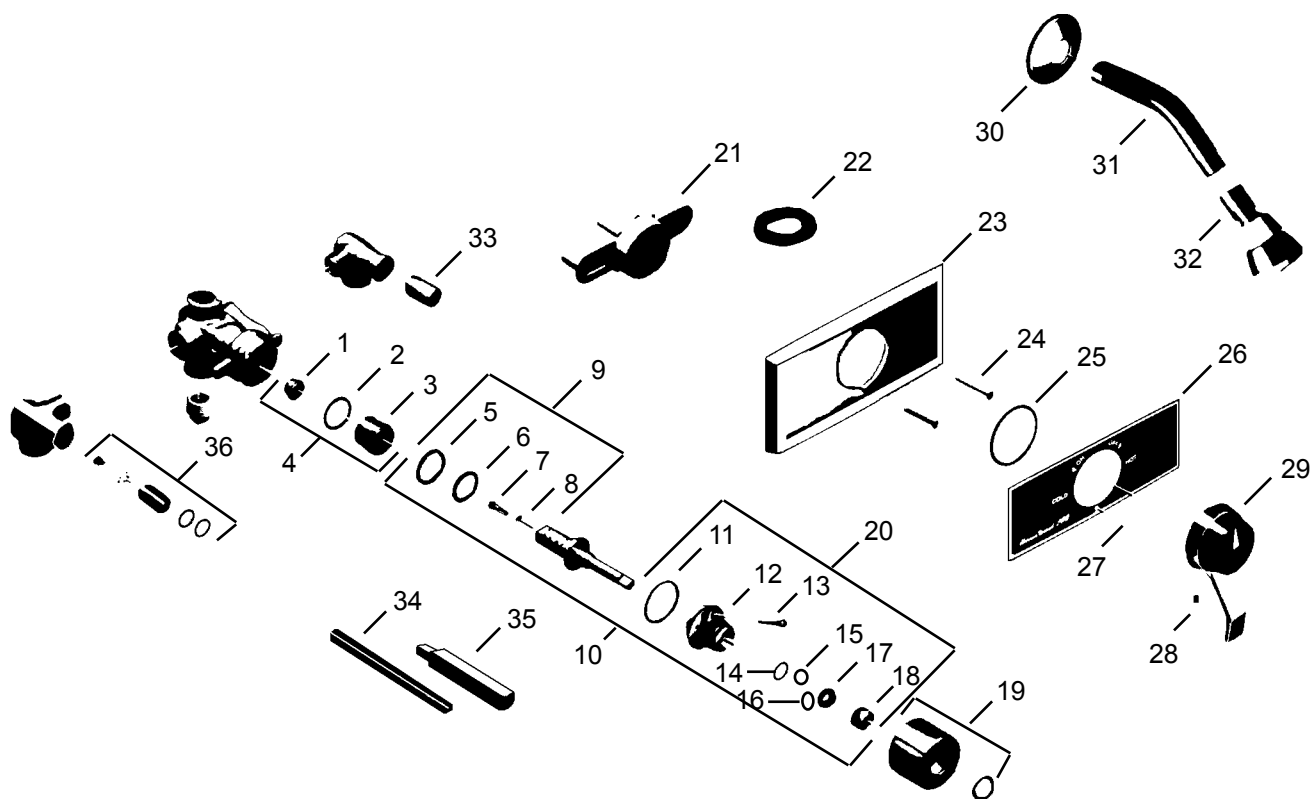




Item	Cat #	Description
1	43220	AS-36 handle assembly
2	43551	escutcheon screw
3	43512	escutcheon cap
4	43508	escutcheon
5	43192	cartridge screw
6	43197	seal set (3 pieces)
7	43196	cartridge assy - 4 gpm



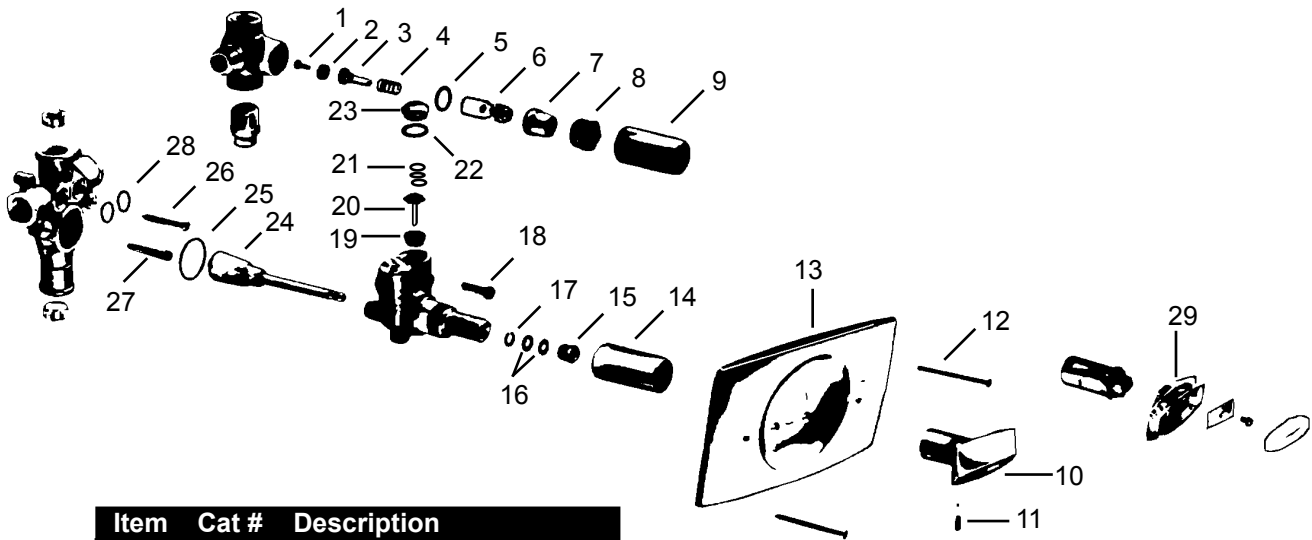
Item	Cat #	Description
8	43191	handle sub assembly
9	43506	escutcheon screw
10	43507	escutcheon cap
11	43508	escutcheon
12	43510	seal set (3 peices)
13	43509	cartridge sub assy - 8 gpm



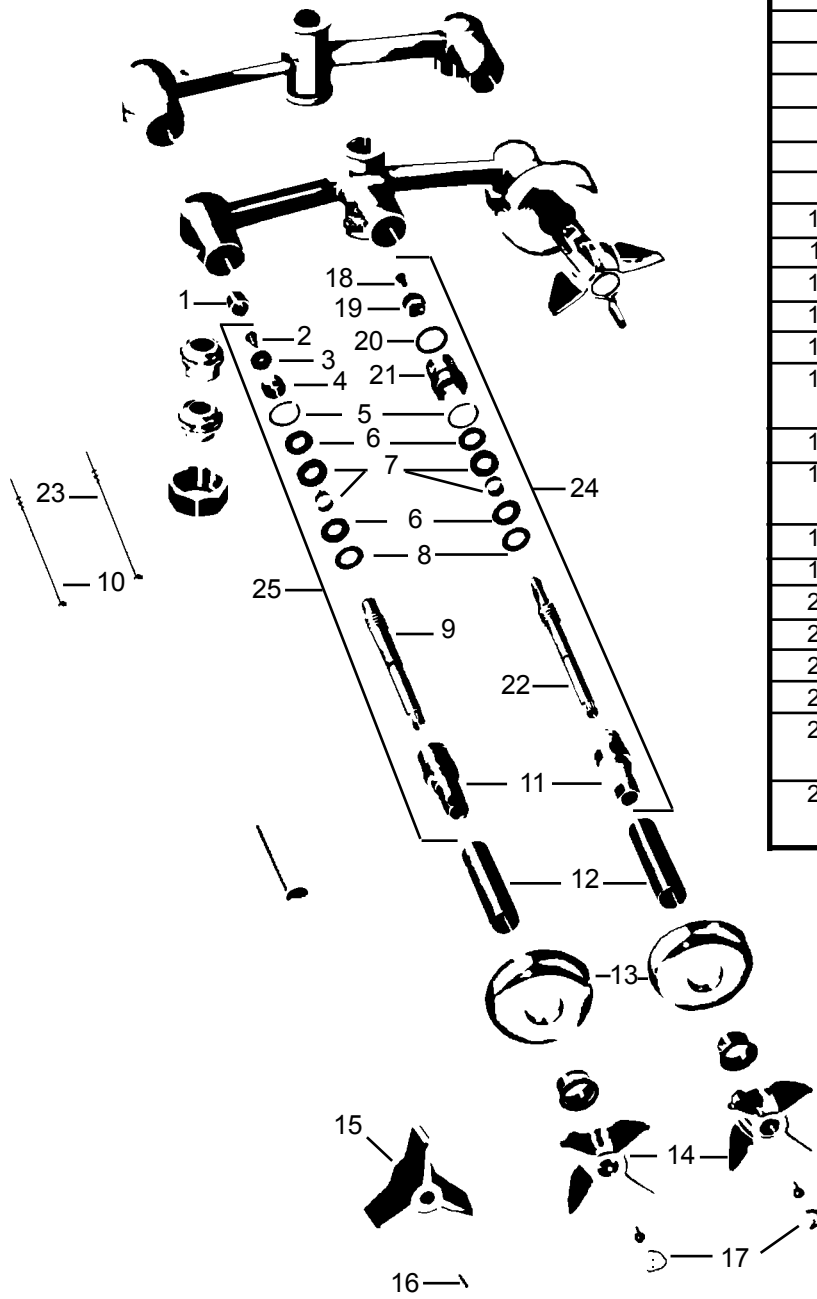
Item	Cat #	Description
1	*	hot seat (w/item 4)
2	11518	o-ring
3	*	cold seat (w/item 4)
4	48350	hot & cold seat kit
5	*	cold washer ret (w/item 9)
6	*	cold washer (w/item 9)
7	11003	hot washer screw
8	*	hot seat washer (w/item 9)
9	48352	hot & cold washer kit
10	43461	stem assembly
11	43462	cap gasket
12	*	cap (w/item 20)
13	43463	limit stop o-ring
14	11416	brass washer
15	11533	o-ring
16	11426	brass washer
17	11618	packing
18	48255	packing nut

Item	Cat #	Description
19	48257	dome cover & locknut
20	48256	cap assembly complete
21	43470	plaster shield
22	n/a	mounting plate gasket
23	43471	escutcheon screw
24	43472	escutcheon
25	11557	o-ring
26	43473	decorative plate
27	43474	decorative plate screw
28	43221	set screw
29	43475	handle sub assembly
30	61011	shower arm flange
31	61010	shower arm
32	61000	shower head
33	43479	stop plaster shield
34	48273	hot seat wrench
35	48274	cold seat wrench
36	43478	stop spindle sub assembly





Item	Cat #	Description
1	11030	monel screw
2	11000	flat washer
3	43484	check stop lower stem
4	43485	check stop spring
5	11538	o-ring
6	43486	check stop upper stem
7	43117	packing nut
8	43055	lock nut
9	43487	check stop guard tube
10	43488	push-pull handle
11	43489	handle set screw
12	43490	escutcheon screw (2)
13	43491	escutcheon (w/gasket)
14	43492	escutcheon sleeve
15	43493	adjusting nut
16	43494	"v" packing (2)
17	43495	"v" packing adapter
18	43496	body screw
19	12009	removable seat
20	43498	stem
21	43209	conical spring
22	11210	rubber washer
23	43499	valve plug
24	43497	cam & shaft assembly
25	43502	o-ring
26	43501	wall screw
27	43500	guide post
28	43503	o-ring
29	43504	push-pull handle assembly



Item	Cat #	Description
1	12155	removeable seat
2	11030	monel screw
3	11002	flat washer
4	43393	seat washer retainer
5	43394	metal wave washer
6	11436	brass washer
7	43092	teflon packing set
8	43395	stem nut gasket
9	43396	tub stem 4-7/8"
10	43397	tub stem 4-1/4"
11	43398	stem nut
12	43399	stem sleeve
13	43400	escutcheon
14	43401	handle
15	43402	hot handle
	43403	cold handle
16	14006	handle screw
17	43404	hot index button
	43405	cold index button
18	11034	monel screw
19	43406	transfer valve disc
20	11512	o-ring
21	43407	transfer valve bushing
22	43408	transfer stem 4-7/8"
23	43412	transfer stem 4-1/4"
24	43411	trans. stem assembly 4-7/8"
	43413	trans. stem assembly 4-1/4"
25	43409	stem assembly 4-7/8"
	43410	stem assembly 4-1/4"

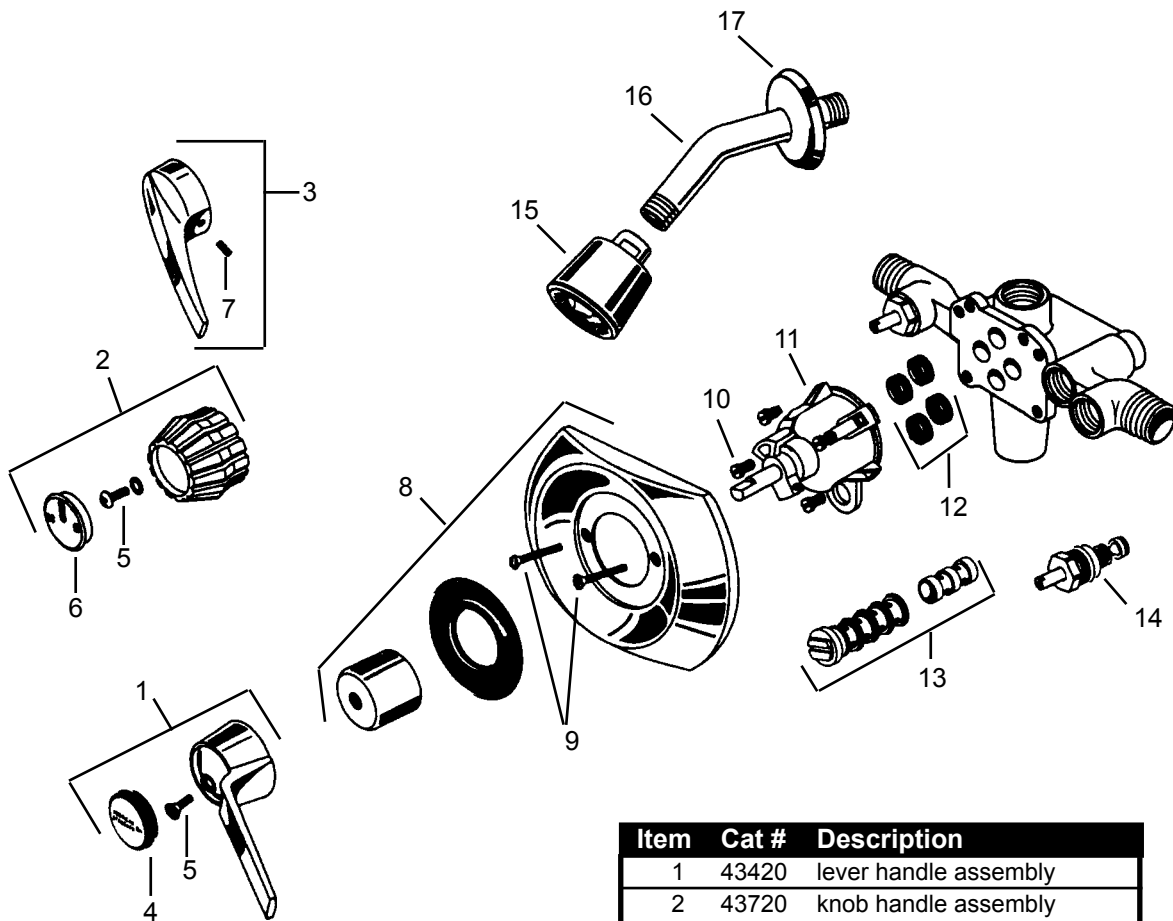
	○
--	---

22176
American Standard
Colony wrench

43414
rebuilding kit includes 2 each of items (2, 3, 5, 7, 8) and 4 each of item (6)

43415
rebuilding kit includes items (18, 19, 20) ; 2 each of items (2, 3) ; 3 each of items (5, 7, 8) and 6 each of item (6)

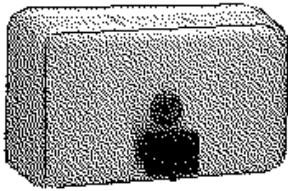




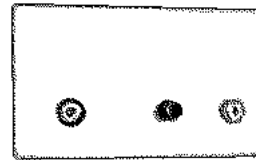
Item	Cat #	Description
1	43420	lever handle assembly
2	43720	knob handle assembly
3	43428	lever handle assy (pre 1988)
4	43421	lever index button
5	43422	screw and washer
6	43721	knob index button
7	43423	set screw
8	43424	escutcheon kit
9	43425	escutcheon screws (2)
10	43426	cartridge screws (4)
11	43784	cartridge assembly
12	43782	cartridge seals (4)
13	43719	balancing spool kit
14	43718	check stop kit
15	61000	oem shower head
	61001	shower head
16	61010	shower arm
17	61011	shower arm flange

43427

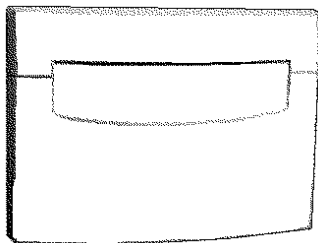
balancing spool repair kit o-rings

**25150**

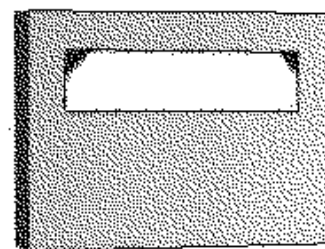
Surface mounted soap dispenser
Horizontal tank is satin-finish stainless steel.
Capacity: 40-fl oz (1.2-L).
Soap refill window.
Concealed wall fastening; hinged filler-top requires special key to open.
Vandal-resistant.
Valve operates with less than 5 lb of force

**25175**

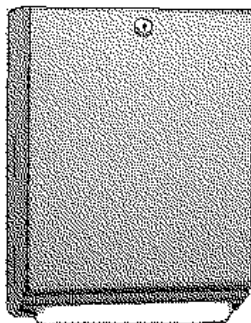
Recessed soap dispenser
Satin-finish stainless steel.
Door has 90° return, conceals flange.
Enclosed plastic soap vessel on back of door swings open for easy filling.
Capacity: 45-fl oz (1.3-L).
Soap refill window.
Valve operates with less than 5 lb of force

**25180**

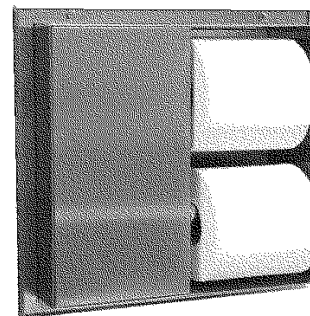
Surface mounted seat cover dispenser
Durable ABS plastic; grey color.
Dispenses 250 single- or half-fold toilet seat covers. Fills from bottom.

**91073**

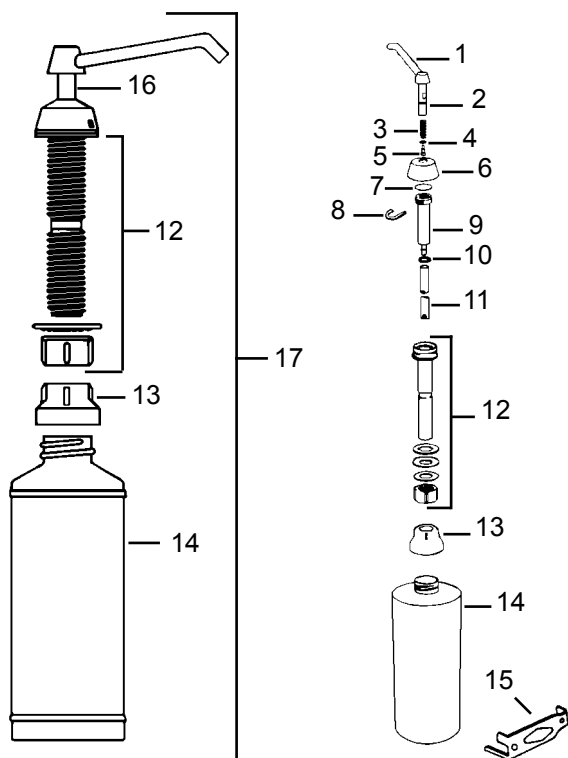
Surface mounted seat cover dispenser
Satin-finish stainless steel.
Dispenses 250 single- or half-fold toilet seat covers. Fills from bottom.

**25110B**

Surface mounted paper towel dispenser
Satin-finish stainless steel.
Dispenses 400 C-fold or 525 multifold towels measuring 3-1/8" to 3-13/16" (79-97mm) deep without adjustment or adapters.
Door has tumbler lock and piano-hinge.
Cabinet slots indicate refill time.

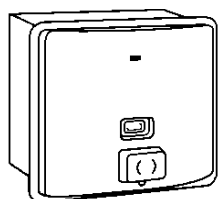
**25176**

Partition mounted toilet tissue dispenser
Stainless steel throughout with satin finish on all exposed surfaces; welded construction.
Mounts through partitions 1/2" to 2" (12-50mm) thick, serving two toilet compartments, used from both sides.

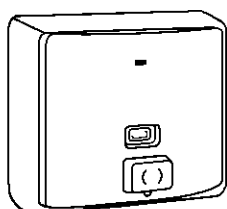


Item	Cat #	Description
1	22775	piston and spout
2	22784	u packing
3	22779	spring
4	22774	retainer ring
5	22770	duck bill valve
6	22778	cover
7	22776	washer
8	22773	guide key
9	22772	cylinder
10	22771	cable tie
11	22736	supply tube
12	22785	universal mounting group
13	22780	bottle cap
14	22781	bottle 34 oz.
15	22753	bobrick key
16	22786	soap pump assembly 4"
	22787	soap pump assembly 6"
17	25170	soap disp. complete 4" spout
	25171	soap disp. complete 6" spout

22783 old style repair kit includes items (2, 3, 4, 5, 7, 8, 10)



25172
recessed soap dispenser
capacity: 50 fluid ounces
dimensions: 3-7/8" D x 7-1/4" W x 6-3/8" H
wall opening: 4" D x 5-7/8" W x 5-1/2" H




25173
surface mounted soap dispenser
capacity: 40 fluid ounces
dimensions: 3-5/16" D x 7" W x 6-1/8" H


replacement parts

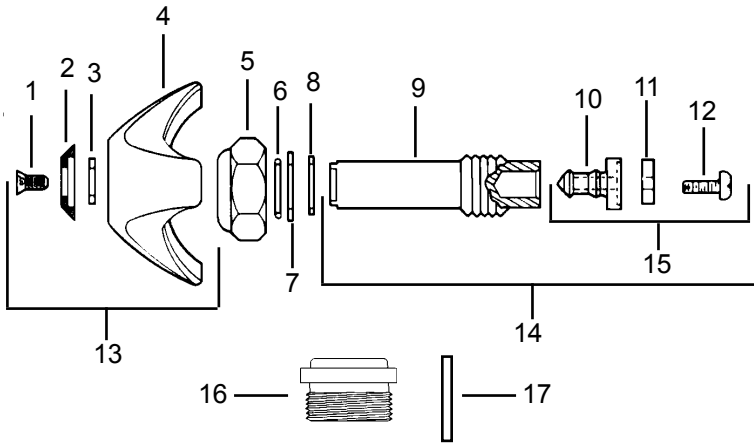
22950	valve replacement kit
22951	collar nut for valve
22952	mounting screws (3)
22953	wall plate
22954	locking screw
22753	bobrick key
22955	washer for locking screw
22956	window replacement kit
22957	window only
22958	nut for window



22789
bobrick door key #74

22752 
soap dispenser valve

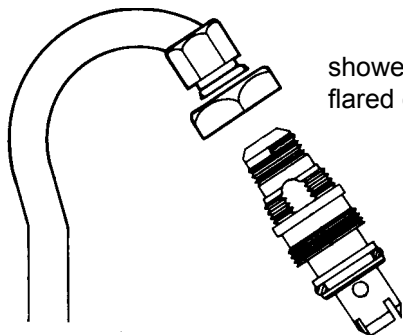
22782 
bobrick spindle



40198 repair kit BRA-5 includes items (6, 7, 15, 16, 17)

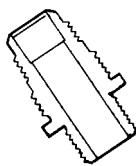
Item	Cat #	Description
1	40180	screw
2	40183	red index
	40182	blue index
	40181	white index
3	40184	insert washer
4	40185	handle
5	40189	bonnet
6	11538	o-ring
7	11318	fiber washer
8	11452	brass washer
9	40193	valve stem
10	40194	valve stem extension
11	11006	bibb washer
12	11037	screw
13	40186	handle kit, white
	40187	handle kit, blue
	40188	handle kit, red
14	40196	valve stem assembly
15	40195	valve stem extension
16	40197	valve seat
17	40199	body washer

column shower & wall saver showerheads

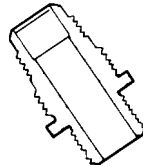


showerhead adapters for flared connection

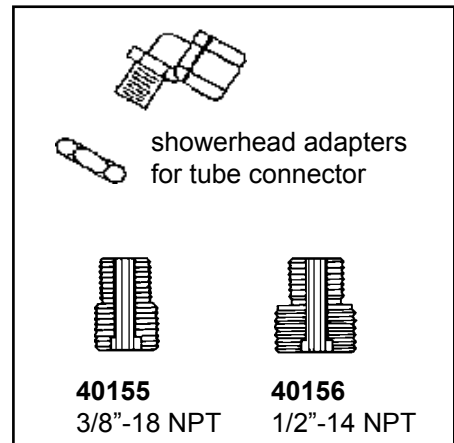
40166
core assembly



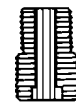
40155
3/8"-18 NPT



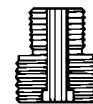
40154
1/2"-14 NPT



showerhead adapters for tube connector



40155
3/8"-18 NPT



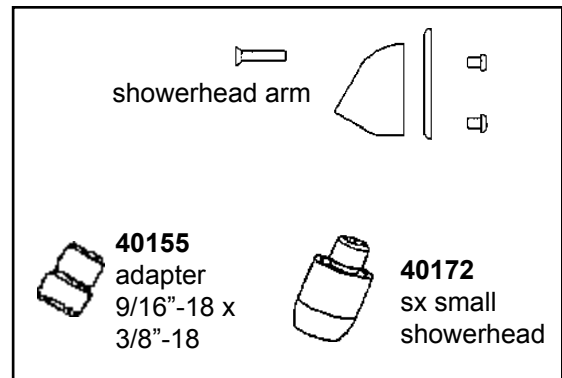
40156
1/2"-14 NPT



40171
sx service showerhead (for use with flared connection supply tubes)



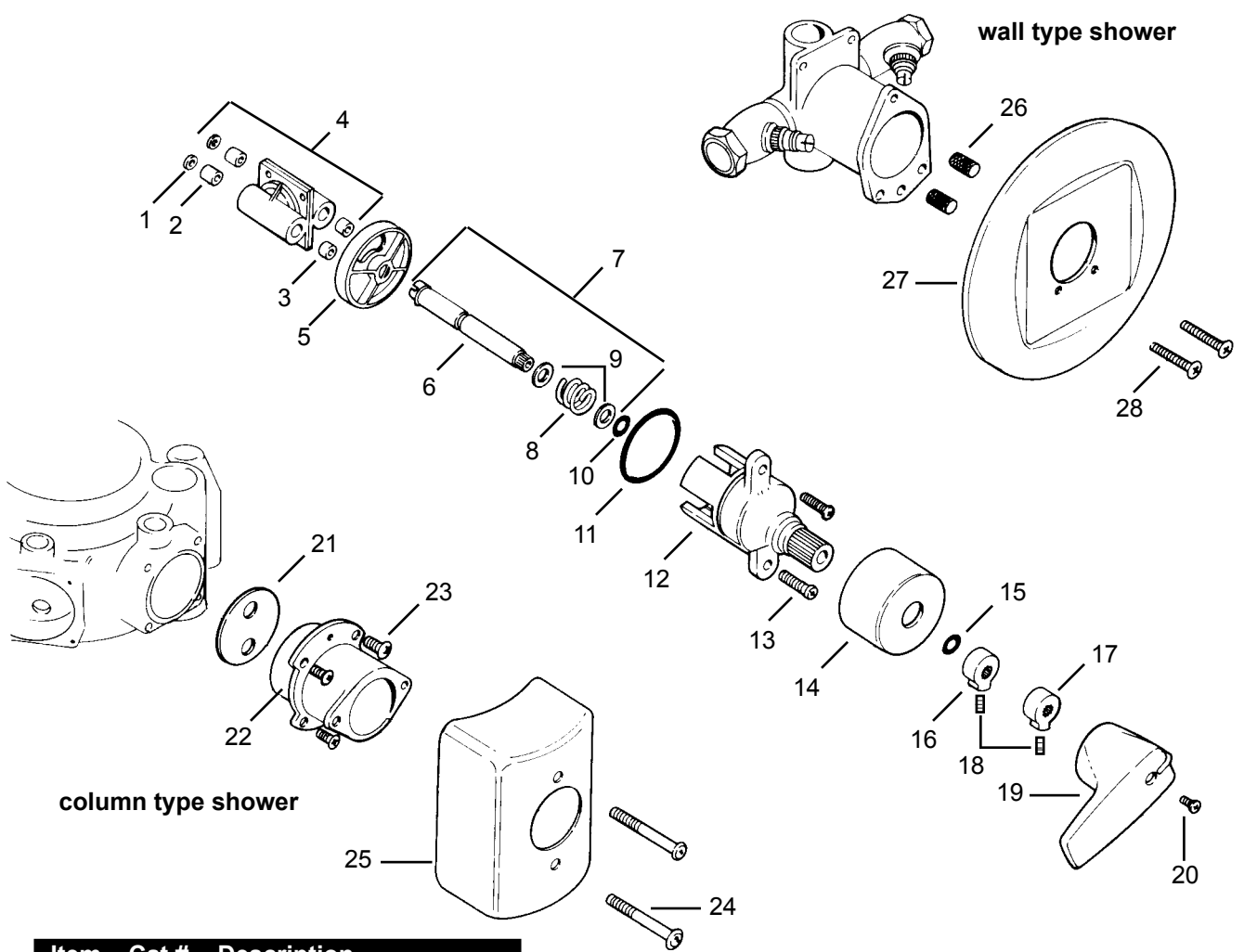
40157
showerhead adjustable, 3/8"-18 NPT



showerhead arm

40155
adapter 9/16"-18 x 3/8"-18

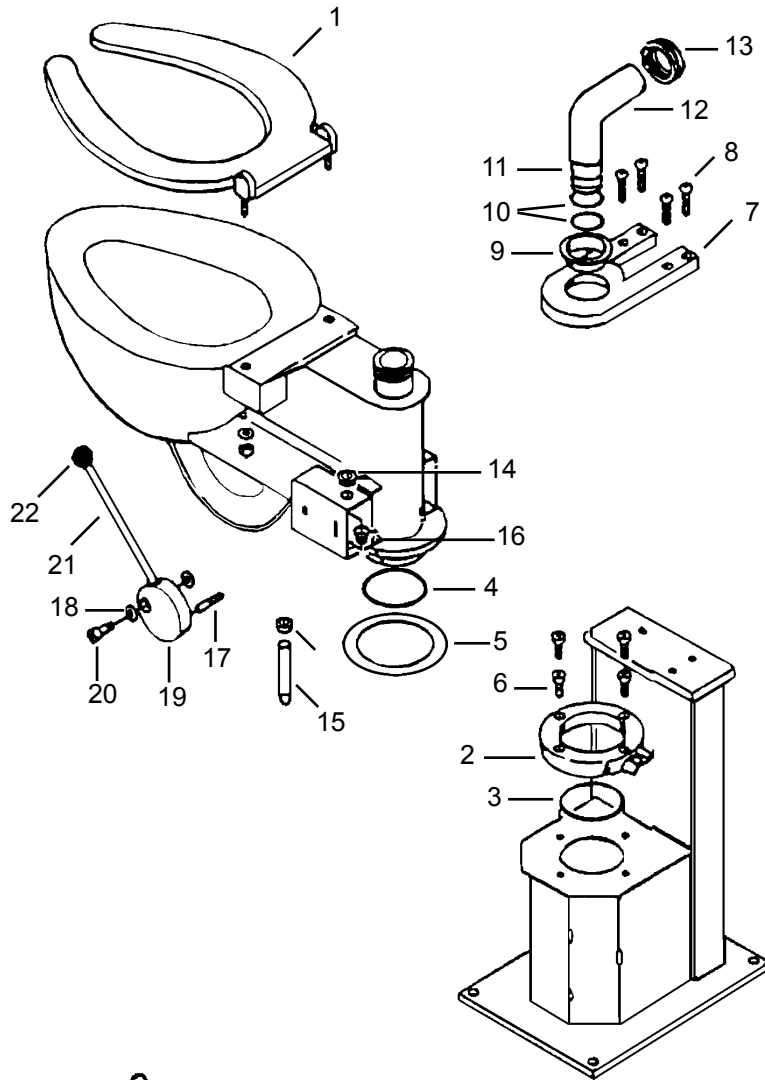
40172
sx small showerhead



Item	Cat #	Description
1	63001	square ring (2 req'd)
2	63002	sleeve & flapper (2 req'd)
3	63000	face seal
4	63030	cartridge assembly
5	63004	rotor
6	63006	stem
7	63029	stem assembly
8	63008	spring
9	63007	washer (2 req'd)
10	63034	o-ring
11	63035	o-ring
12	63009	cap assembly
13	63010	capscrews
14	63011	cover
15	63036	o-ring
16	63012	off stop
17	63013	hot limit stop
18	63032	set screw
19	63014	handle
20	63015	handle screw

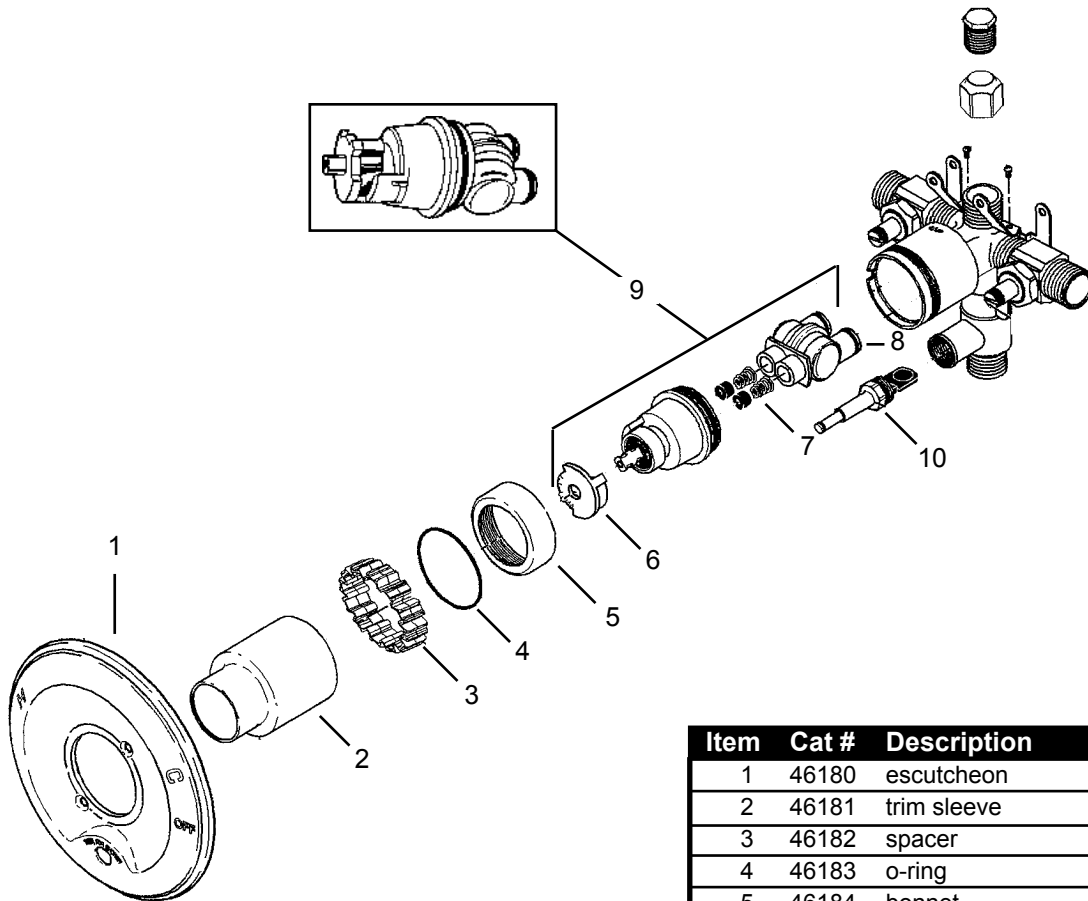
Item	Cat #	Description
21	63016	gasket
22	63017	top seat gasket
23	63018	body screw (4 req'd)
24	63019	cover screw (2 req'd)
25	63020	column cover (6 person)
	63021	column cover (2, 3, 4, 5 per)
26	63022	screen (2 req'd)
27	63023	wall escutcheon (individual)
	63024	wall esc. (wall saver)
	63025	wall esc. (panelon/econo)
28	63026	wall esc. screw (individual)
	63027	wall esc. screw (saver/econo)
	63028	wall esc. screw (panelon)

63031 gasket kit includes 2 each of items (1, 4) 1 each of items (10, 11, 15)

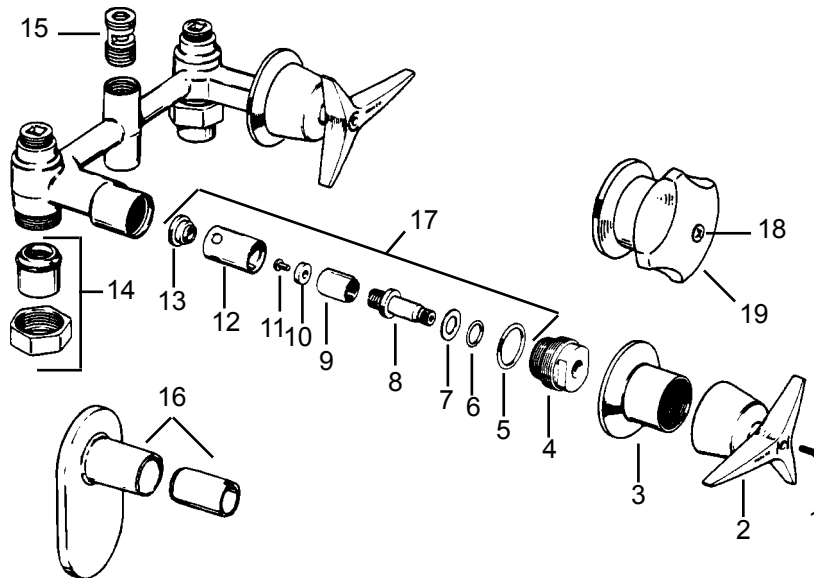


Item	Cat #	Description
1	77565	seat
2	77566	stop assy. LH
	77567	stop assy. RH
3	77568	o-ring
4	77569	o-ring
5	77570	washer
6	77571	screw
7	77572	support bracket
8	77573	screw
9	77574	guide
10	77575	o-ring
11	77576	retaining ring
12	77577	inlet tube
13	77578	cap nut
14	77579	nyliner
15	77580	stop pin
16	77581	spring
17	77582	retaining screw
18	77583	washer
19	77584	pivot
20	77585	shoulder screw
21	77586	lever
22	77587	knob

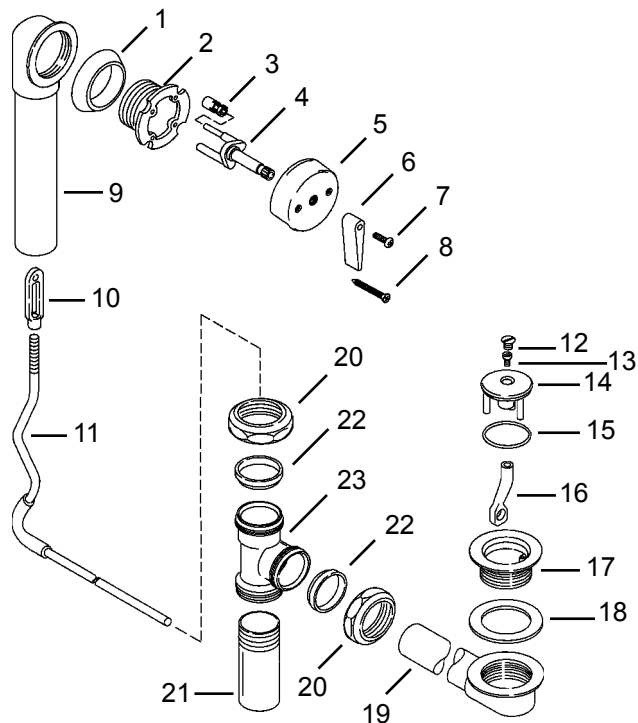




Item	Cat #	Description
1	46180	escutcheon
2	46181	trim sleeve
3	46182	spacer
4	46183	o-ring
5	46184	bonnet
6	46185	rotational limit stop
7	46064	seats & springs
8	46187	o-ring
9	46094	cartridge
10	46093	diverter

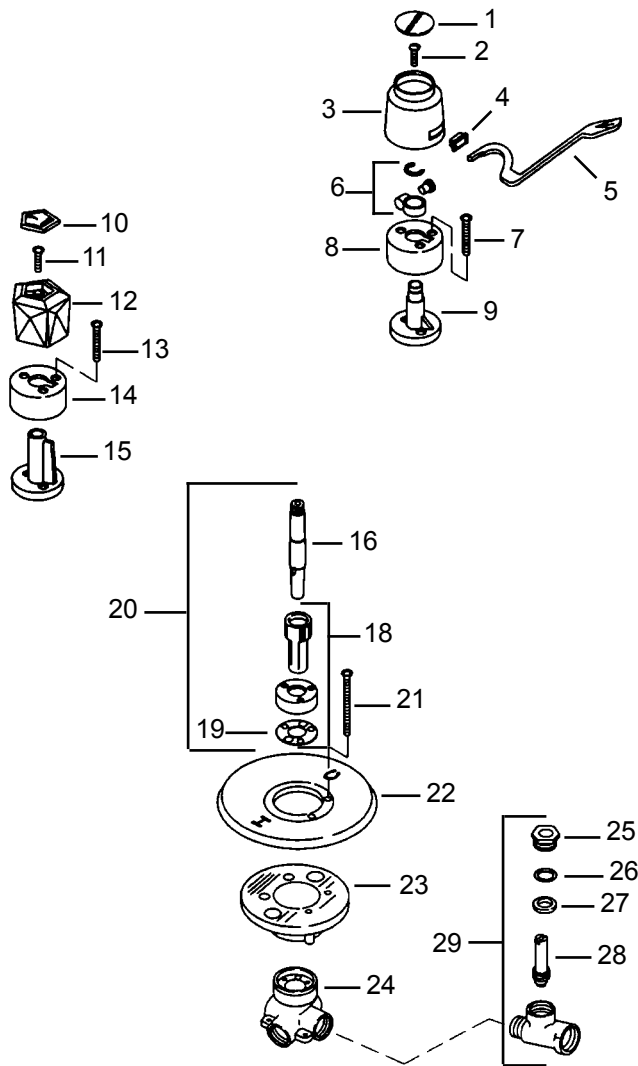


Item	Cat #	Description
1	14064	screw
2	24640	triton hot handle
	24641	triton cold handle
3	42311	escutcheon
4	42312	bonnet nut
5	11515	o-ring
6	11533	o-ring
7	11445	brass washer
8	42089	stem right hand
	42009	stem left hand
9	42092	brass plunger right hand
	42090	brass plunger left hand
	42091	plastic plunger right hand
	42010	plastic plunger left hand
10	11001	flat washer
11	11038	screw
12	42011	sleeve
	42012	sleeve & seat
13	12116	seat
14	42352	union nut assembly
15	42363	aspirator
16	42353	oval escutcheon assembly
17	42003	rh stem assy. w/brass plunger
	42004	lh stem assy. w/brass plunger
	42157	rh stem assy. w/plastic plngr.
	42158	lh stem assy. w/plastic plngr.
18	14006	screw
19	24644	hot handle
	24645	cold handle
	24646	plain handle



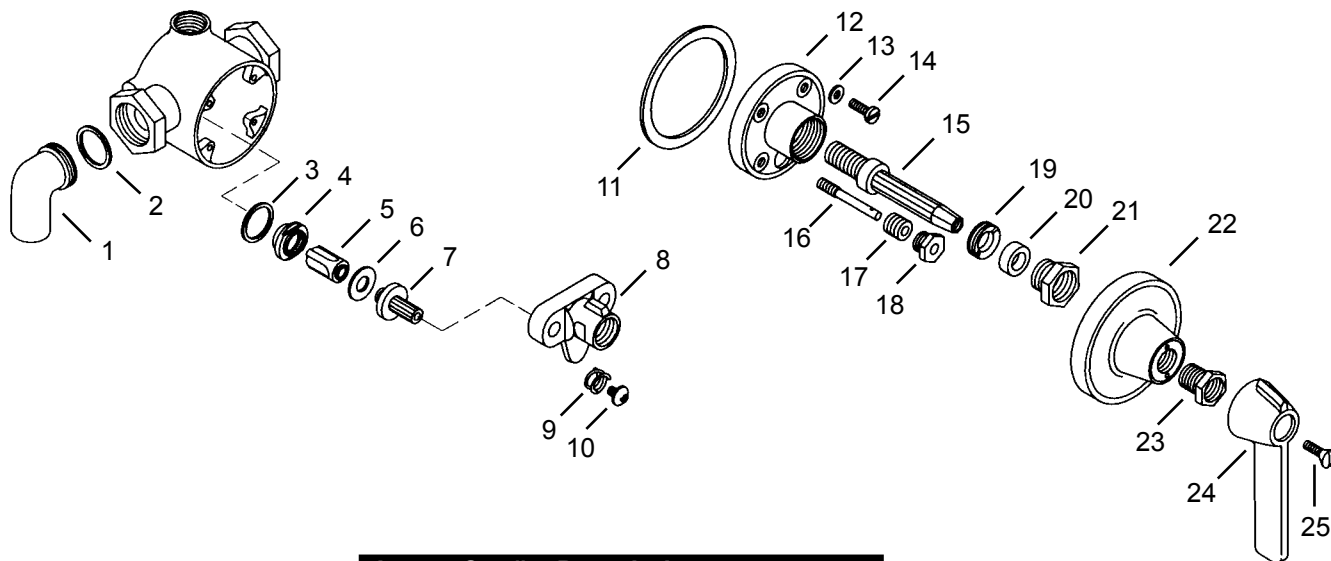
Item	Cat #	Description
1	60190	washer
2	61202	lock ring
3	61203	crank extension
4	60195	drain crank
5	60193	overflow hood
6	60192	handle
7	14060	screw
8	60191	screw
9	*	overflow ell & tube
10	60195	adjusting link
11	60196	lift rod
12	60197	screw
13	60198	screw
14	60199	stopper
15	11555	o-ring
16	60200	stopper post
17	60201	strainer
18	60189	gasket
19	*	drain ell & tube
20	33037	nut
21	*	tailpiece
22	33025	gasket
23	*	tee

* special order items



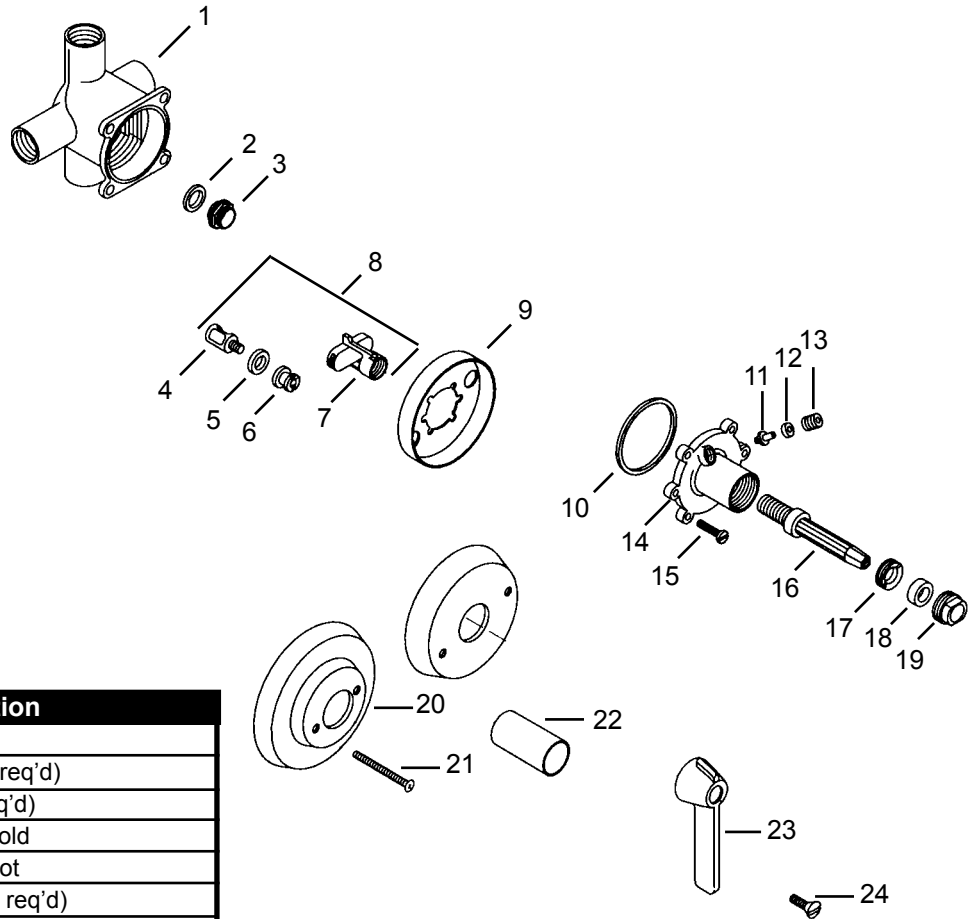
Item	Cat #	Description
1	42180	plug button
2	42167	screw
3	42181	knob
4	42182	grommet
5	42183	lever
6	42185	lever collar
7	42169	screw
8	42170	cam bearing cover
9	42186	cam bearing
10	42166	plug button
11	42167	screw
12	42168	handle
13	42169	screw
14	42184	cam bearing cover
15	42171	cam bearing
16	42302	cam and sleeve
18	42173	sleeve
19	42174	gasket
20	42417	cartridge
21	42172	screw
22	42366	escutcheon
23	42360	plaster guard
24	n/a	body
25	42365	packing nut
26	42364	o-ring
27	42363	washer
28	42362	stem
29	42361	valve assembly





Item	Cat #	Description
1		elbow
2	11343	gasket
3	11761	gasket
4	12118	seat
5	42379	plunger, cold
	42380	plunger, hot
6	42381	washer (2 req'd)
7	42382	disc holder, cold
	42383	disc holder, hot
8	42384	yoke
9	42385	spring (2 req'd)
10	42386	screw (2 req'd)
11	42387	gasket
12	42388	cover
13	11301	washer (4 req'd)
14	42390	screw (4 req'd)
15	42391	stem
16	42392	screw
17	42393	packing
18	42394	nut
19	42395	bushing
20	42396	packing
21	42397	nut
22	42398	dial
23	42399	bushing
24	42400	handle
25	14012	screw

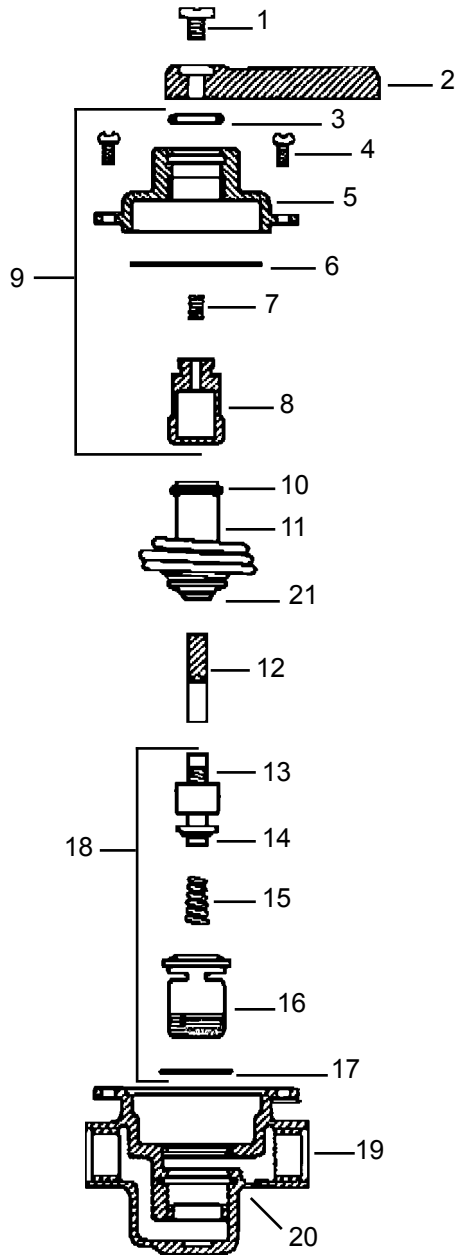
42403 rebuilding kit includes items (11, 20), 2 each of items (3, 6), 4 each of items (13, 14)



Item	Cat #	Description
1	n/a	body
2	11310	gasket (2 req'd)
3	12120	seat (2 req'd)
4	42419	plunger, cold
	42420	plunger, hot
5	42418	washer (2 req'd)
6	42423	holder, hot
	42424	holder, cold
7		yoke (with item 8)
8	42415	yoke assembly
9	47405	shield
10	11248	gasket
11	42412	screw
12	42411	packing
13	42410	nut
14	42413	cover
15	42390	screw
16	42409	stem
17	42392	bushing
18	11643	packing
19	42407	nut
20	42406	escutcheon
21	14019	screw
22	42405	sleeve
23	42404	handle
24	14012	screw

42425 rebuilding kit includes items (10, 12, 18), 2 each of item (5)

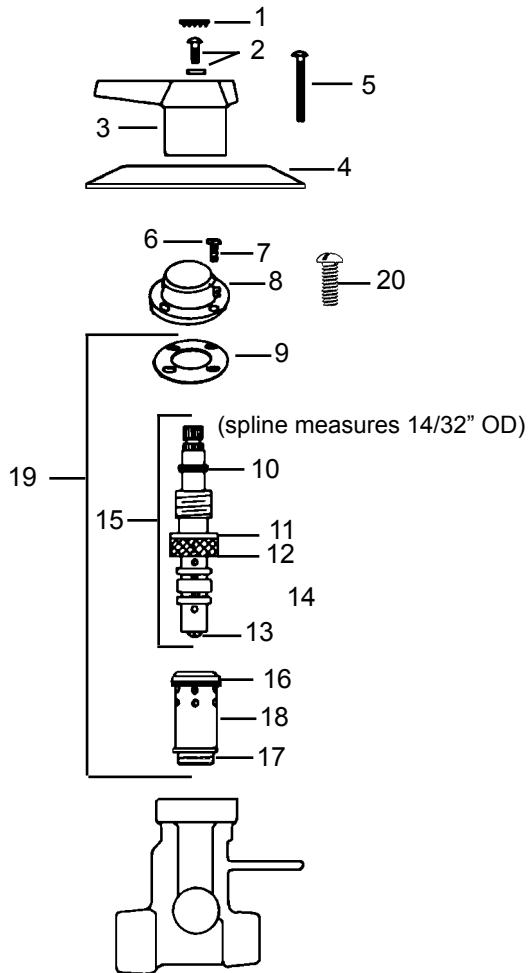




Item	Cat #	Description
1	64000	handle screw
2	64001	lever handle
3	64002	cover o-ring
4	64003	cover screw
5		cover (use item 9)
6	64006	cover gasket
7	64007	adjusting screw
8		spindle (use item 9)
9	64005	cover & spindle kit
10	64009	thermostat o-ring
11	64008	thermostat assembly
12	64011	push rod
13		piston (use item 18)
14	64017	seat disc
15	64012	piston spring
16		piston liner (use item 18)
17	64013	liner seat o-ring
18	64014	piston & liner kit
19		strainer plug (use LA-1 kit)
20	64015	valve body o-ring
21	64010	thermostat disc

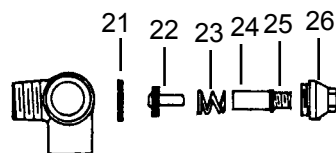
64004 LA-1 gasker & seal kit includes items (3, 6, 10, 21, 14, 17, 19, 20)

64016 LA-4 complete overhaul kit 1/2" includes items (3, 6, 11, 18)



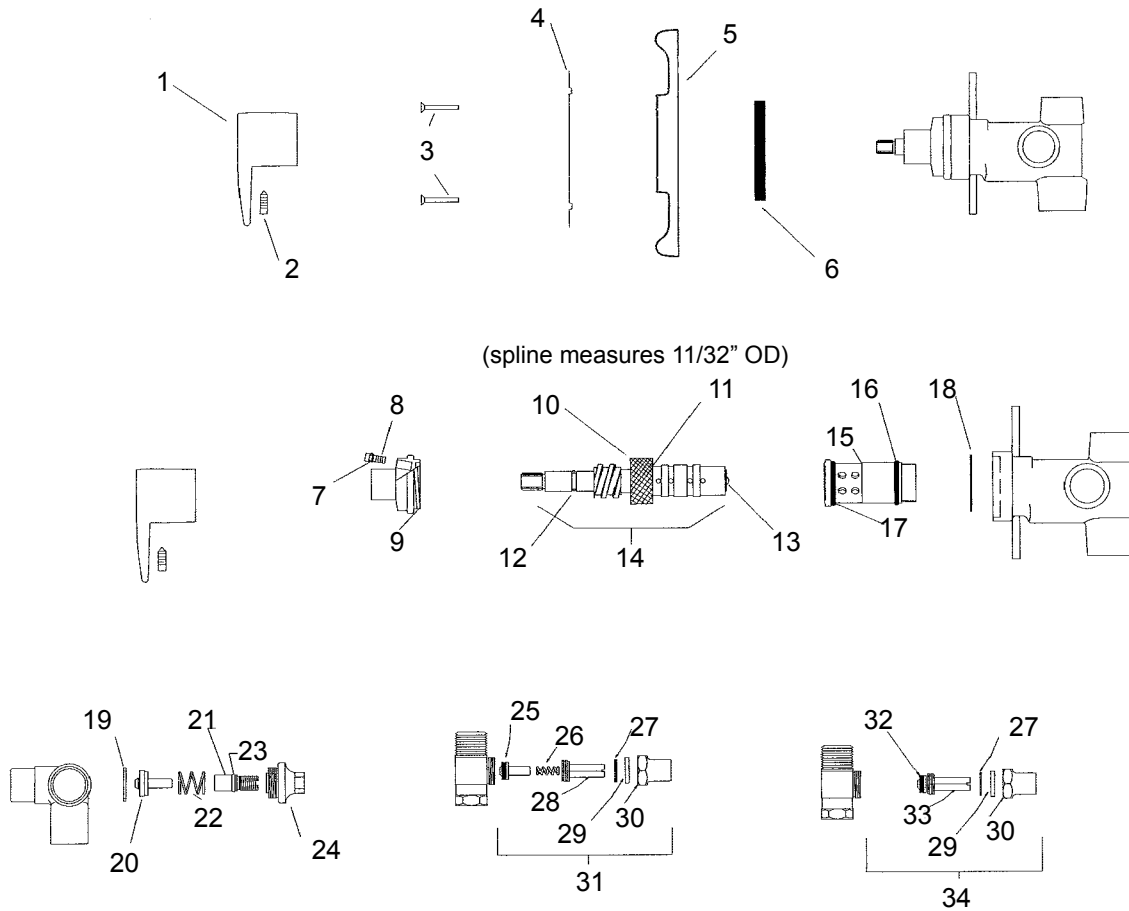
Item	Cat #	Description
1	66231	snap cover
2	66417	screw & washer
3	66415	pointer assembly
4	66418	wall flange with dial plate
5	66378	wall flange screw
6	66448	stop screw
7	66449	stop screw o-ring
8	66406	cover
9	66411	cover gasket
10	66369	stem o-ring
11	66405	upper cup
12	66408	upper packing
13	66402	lower packing & screw
14	66409	control rod o-ring (not shown)
15	66414	control rod assembly
16	66404	sleeve packing
17	66410	sleeve o-ring
18	66403	sleeve assembly
19	66400	valve repair kit
20	66407	cover screw (4 req'd)
21	66391	bonnet packing
22	66240	stem with packing
23	66241	check spring
24	66237	check stem chrome plated
	66238	check stem rough brass
25	66239	check stem o-ring
26	66460	check bonnet chrome plated
	66459	check bonnet rough brass

Checkstop



66401	Gasket kit includes items (9, 10, 11, 12, 13, 14)
66362	Checkstop repair kit includes 2 each of items (21, 22, 23, 25)

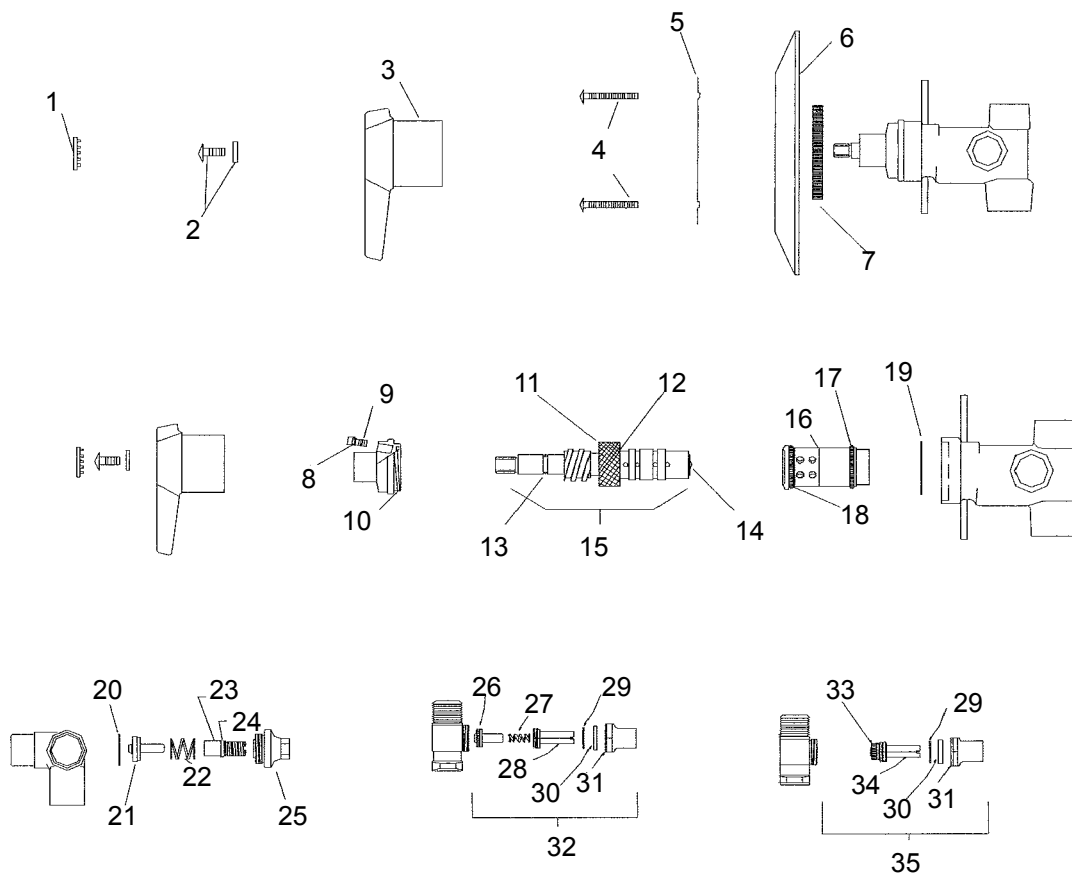




Item	Cat #	Description
1	66415N	pointer assembly
2	66486	pointer screw
3	66487	flange screw
4	66488	dial plate
5	66419	wall flange w/dial plate
6	66489	pointer gasket
7	66449	o-ring
8	66490	stop screw
9	66457	cover
10	66405	upper cup
11	66408	upper packing
12	66369	o-ring
13	66404	lower packing & screw
14	66455	control rod assembly
15	66403	sleeve assembly
16	66410	sleeve o-ring
17	66404	sleeve packing
18	66411N	cover gasket

Item	Cat #	Description
19	66391	bonnet packing
20	66240	lower stem w/packing
21	66237	chrome plated check stem
	66238	rough brass check stem
22	66241	check spring
23	66239	check stem o-ring
24	66460	chrome plated check bonnet
	66459	rough brass check bonnet
25	66491	lower stem & packing
26	66492	spring
27	66493	washer
28	66494	upper stem
29	66495	packing
30	66496	bonnet nut
31	66497	checkstop rebuild kit
32	66498	lower stem packing
33	66499	upper stem
34	66500	checkstop rebuild kit

66362 Checkstop repair kit includes
2 each of items (19, 20, 22, 23)

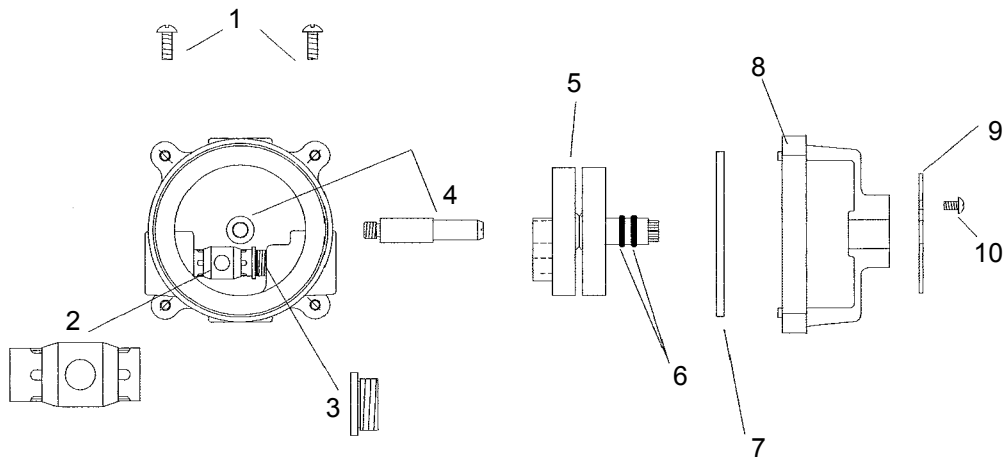


Item	Cat #	Description
1	66231	snap cap, cp
2	66417	pointer screw & washer
3	66225	pointer
4	66487	flange screw
5	66501	dial plate
6	66519	wall flange
7	66489	pointer gasket
8	66449	o-ring
9	66520	stop screw
10	66457	cover
11	66405	upper cup
12	66408	upper packing
13	66369	o-ring
14	66404	lower packing & screw
15	66455	control rod assembly
16	66403	sleeve assembly
17	66410	sleeve o-ring
18	66404	sleeve packing
19	66411N	cover gasket

Item	Cat #	Description
20	66391	check bonnet packing
21	66240	lower stem & packing
22	66241	check spring
23	66237	check stem chrome plated
	66238	check stem rough brass
24	66239	check stem o-ring
25	66460	chrome plated check bonnet
	66459	rough brass check bonnet
26	66491	lower stem & packing
27	66492	spring
28	66494	upper stem
29	66493	washer
30	66495	packing
31	66496	bonnet nut
32	66497	checkstop rebuild kit
33	66498	lower stem packing
34	66499	upper stem
35	66500	checkstop rebuild kit

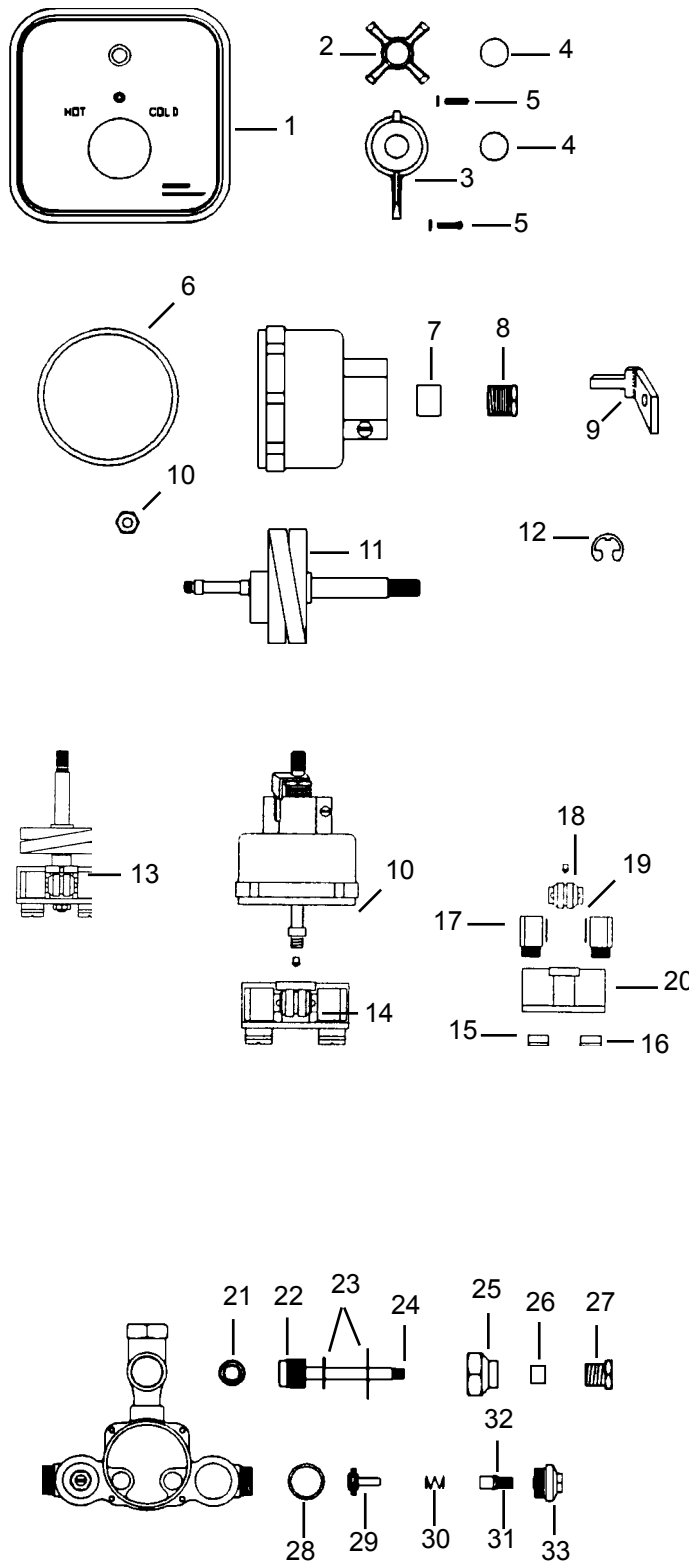
66362 Checkstop repair kit includes 2 each of items (20, 21, 22, 24)





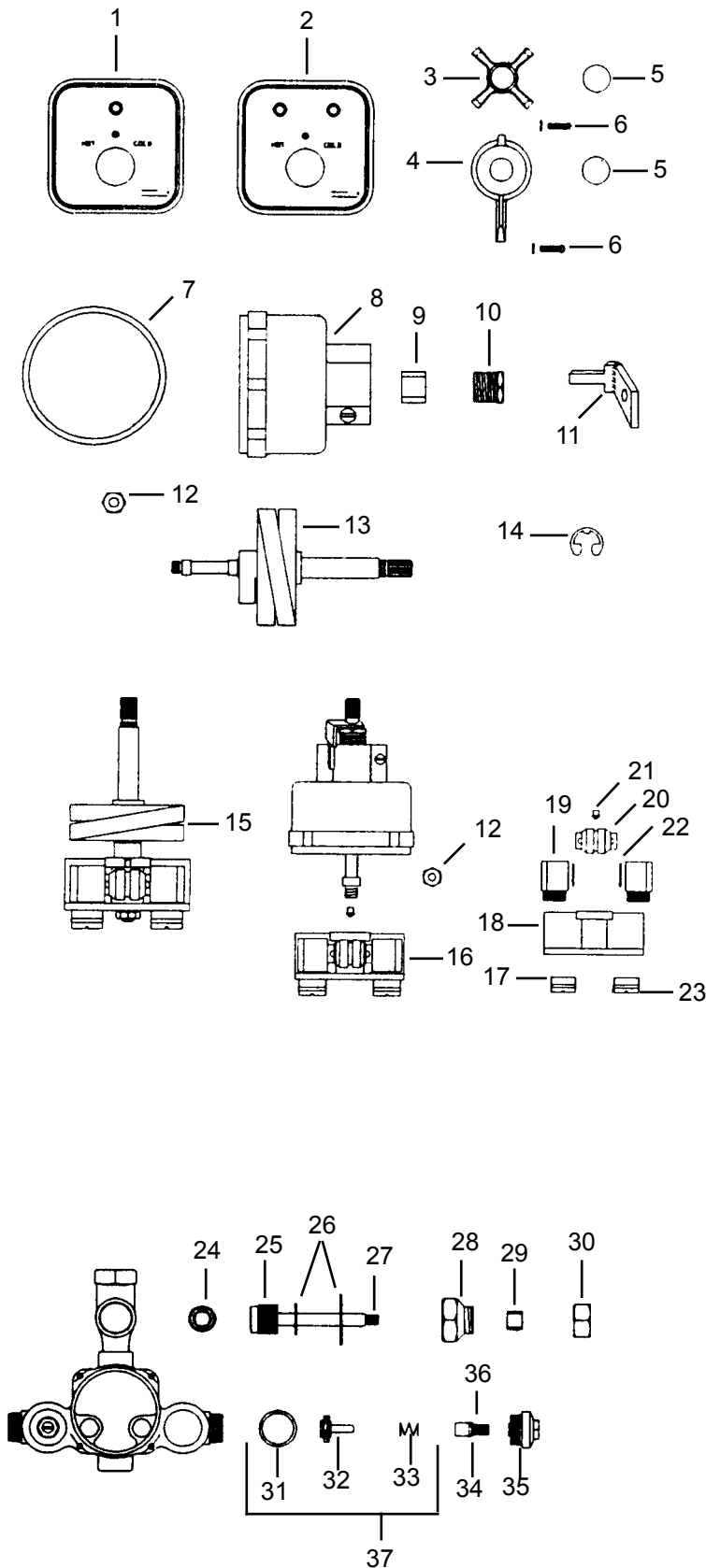
Item	Cat #	Description
1	66212	cover screw
2	66349	port sleeve assembly
3	55621	jam nut
4	66604	base stud
5	66522	thermostat group
6	66329	stem o-ring
7	66345	cover gasket
8	66605	cover
9	66523	dial plate
10	66524	plate screw

66601 Repair kit includes (2, 3, 4, 5, 6(2), 7)



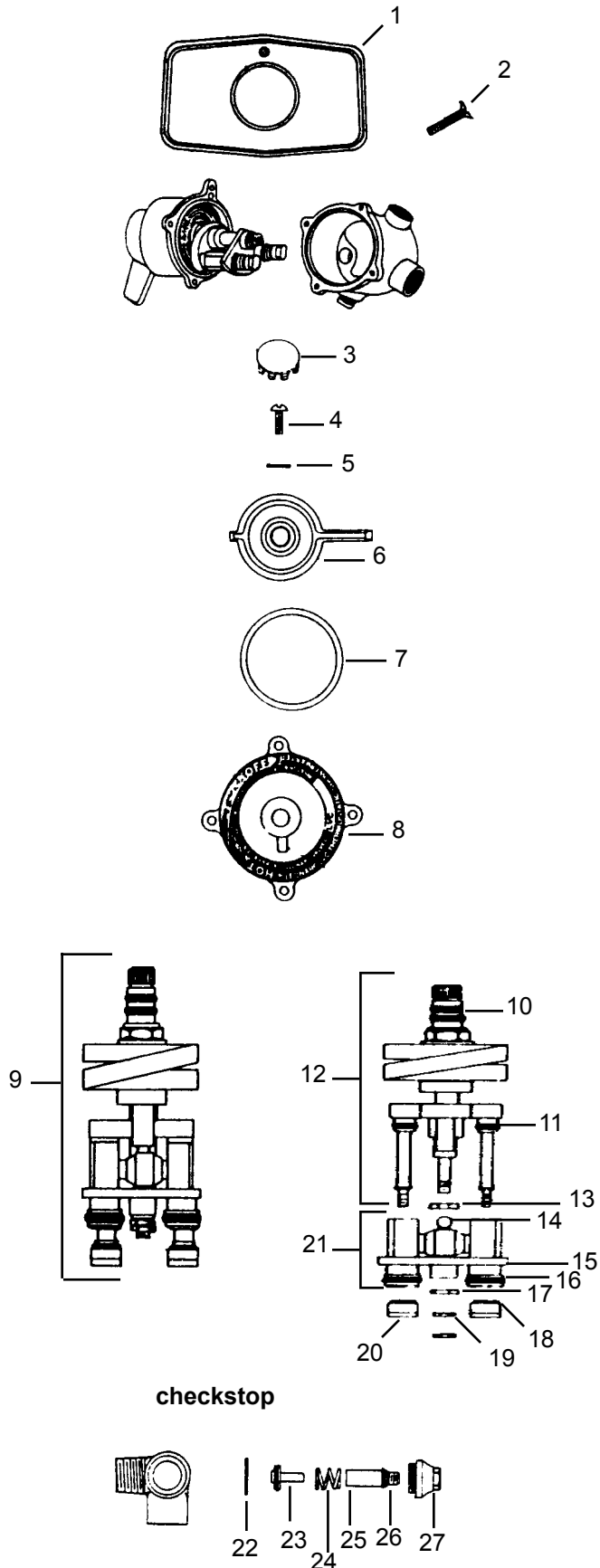
Item	Cat #	Description
1	66228	wall flange
2	66230	4 arm handle (with washer, screw and cap)
3	66225	pointer (with washer, screw and cap)
4	66231	snap cap, chrome plated
5	66232	screw with washer
6	66214	cover gasket
7	66215	gland packing (2 req'd)
8	66216	gland nut
9	66217	stop
10	66209	pointer rod nut
11	66220	thermostat group
12	66218	retaining ring
13	66223	thermostatic group
14	66222	bridge assembly
15	66207	holder nut (2 req'd)
16	66208	holder nut o-ring (2 req'd)
17	66206	port sleeve holder (2 req'd)
18	66219	port sleeve assembly
19	66205	port sleeve packing (2 req'd)
20	66204	bridge
21	66252	seat
22	66253	seat washer & screw
23	66244	bonnet washer & spacer
24	66248	stem w/washer & screw, cp
	66249	stem w/washer & screw, rb
25	66242	bonnet, cp
	66243	bonnet, rb
26	66247	stem packing
27	66245	bonnet cap, cp
	66246	bonner cap, rb
28	66236	check bonnet packing
29	66240	lower stem & packing
30	66241	spring
31	66237	upper stem w/o-ring, cp
	66238	upper stem w/o-ring, rb
32	66239	o-ring
33	66234	check bonnet, chrome plated
	66235	check bonnet, rough brass

66200 rebuilding kit includes items (6, 13, 22)
66201 packing & gasket kit includes items (6, 22, 23, 26, 28, 29, 30, 32), 2 each of items (7, 16)
66202 port sleeve repair kit includes item (18), 2 each of items (16, 19)
66203 checkstop kit includes 2 each of items (28, 29, 30, 32)



Item	Cat #	Description
1	66228	wall flange
2	66393	wall flange
3	66230	4 arm handle (with washer, screw & cap)
4	66225	pointer (with washer, screw & cap)
5	66231	snap cap, chrome plated
6	66232	screw with washer
7	66284	cover gasket
8	66280	cover, chrome plated
	66281	cover, rough brass
9	66285	gland packing (2 req'd)
10	66286	gland nut
11	66287	stop
12	66279	pointer rod nut
13	66291	thermostat group
14	66288	retaining ring
15	66270	thermostatic control assy.
16	66293	bridge assembly
17	66277	holder nut (2 req'd)
18	66274	bridge
19	66276	port sleeve holder (2 req'd)
20	66290	port sleeve assembly
21	66289	port sleeve stud
22	66275	port sleeve packing (2 req'd)
23	66278	holder nut packing (2 req'd)
24	66312	seat
25	66311	seat packing washer & screw
26	66305	bonnet washer & spacer
27	66309	stem, cp
	66310	stem, rb
28	66303	bonnet, cp
	66304	bonnet, rb
29	66308	stem packing
30	66306	bonnet cap, cp
31	66297	check bonnet packing
32	66301	lower stem with packing
33	66302	check spring
34	66237	upper stem w/packing, cp
	66238	upper stem w/packing, rb
35	66295	check bonnet, cp
	66296	check bonnet, rb
36	66239	o-ring
37	66273	checkstop rebuild kit (2 each)

66271 packing and gasket kit includes items (7, 9, 19, 23, 31, 32, 33, 36)
66272 port sleeve kit includes items (19-23)

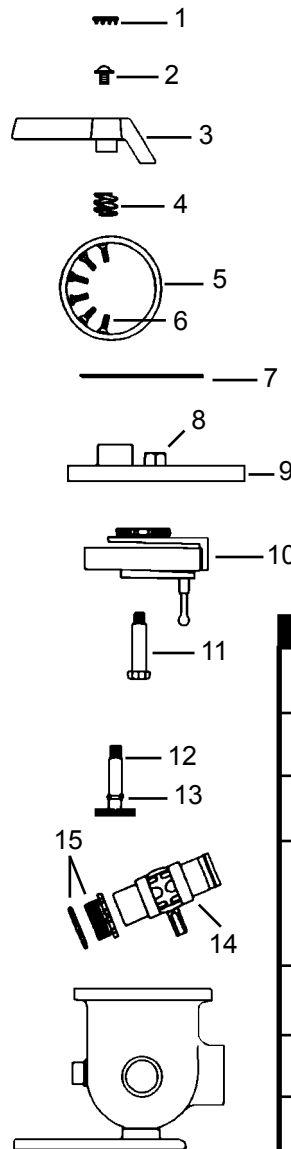


Item	Cat #	Description
1	66377	wall flange
2	66378	wall flange screw
3	66383	pointer cap
4	66381	pointer screw
5	66382	pointer washer
6	66380	pointer complete
7	66375	cover gasket
8	66374	cover with dial plate
9	66360	thermostatic control assembly
10	66369	control rod o-ring
11	66371	valve stem o-ring
12	66386	thermstatic control yoke
13	66363	bridge washer
14	66384	port sleeve assembly
	66364	port sleeve packing (2 req'd)
	66368	port sleeve stud
15	66365	holder nut (2 req'd)
16	66366	holder nut o-ring
17	66370	control rod washer
18	66376	valve cup with packing
19	66367	control rod nut
20	66372	cup packing washer
21	66373	bridge assembly
22	66391	bonnet packing
23	66240	lower stem with packing
24	66241	spring
25	66237	upper stem w/o-ring, cp
	66238	upper stem w/o-ring, rb
26	66239	o-ring
27	66460	check bonnet, cp
	66459	check bonnet, rb

66360 rebuilding kit includes items (7, 9)
66361 gasket kit includes items (7, 10, 11, 16, 17, 18, 20)
66362 checkstop kit includes 2 each of items (22, 23, 24, 26)



Item	Cat #	Description
1	66231	snap cap, cp
	66449	snap cap, rb
2	66232	screw with washer
3	66467	pointer assembly, cp
	66478	pointer assembly, rb
4	66473	friction spring
5	66466	flange pkg. (50, 80)
	66484	flange pkg. (125, 150)
6	66464	cover screw (6 req'd)
7	66465	dial plate (50, 80)
8	66469	cover stop screw, cp
	66470	cover stop screw, rb
9	66462	cover, cp (50, 80)
	66463	cover, rb (125, 150)
	66481	cover, cp (50, 80)
	66483	cover, rb (125,150)
10	66478	thermostat (50, 80)
	66474	thermostat (125, 150)
11	66461	coil sleeve stud
12	66471	pointer rod
13	66474	pointer rod o-ring
14	66476	port sleeve assy. (50, 80)
	66477	port sleeve assy. for steam (50, 80)
	66485	port sleeve assy. (125, 150)
	66486	port sleeve assy. for steam (125, 150)
15	66460	nut assembly (50, 80)
	66480	nut assembly (125,150)



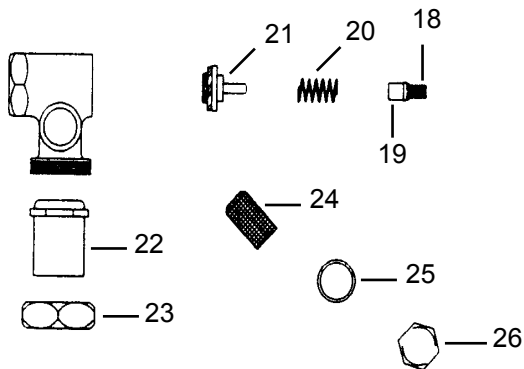
TM 50 & 80

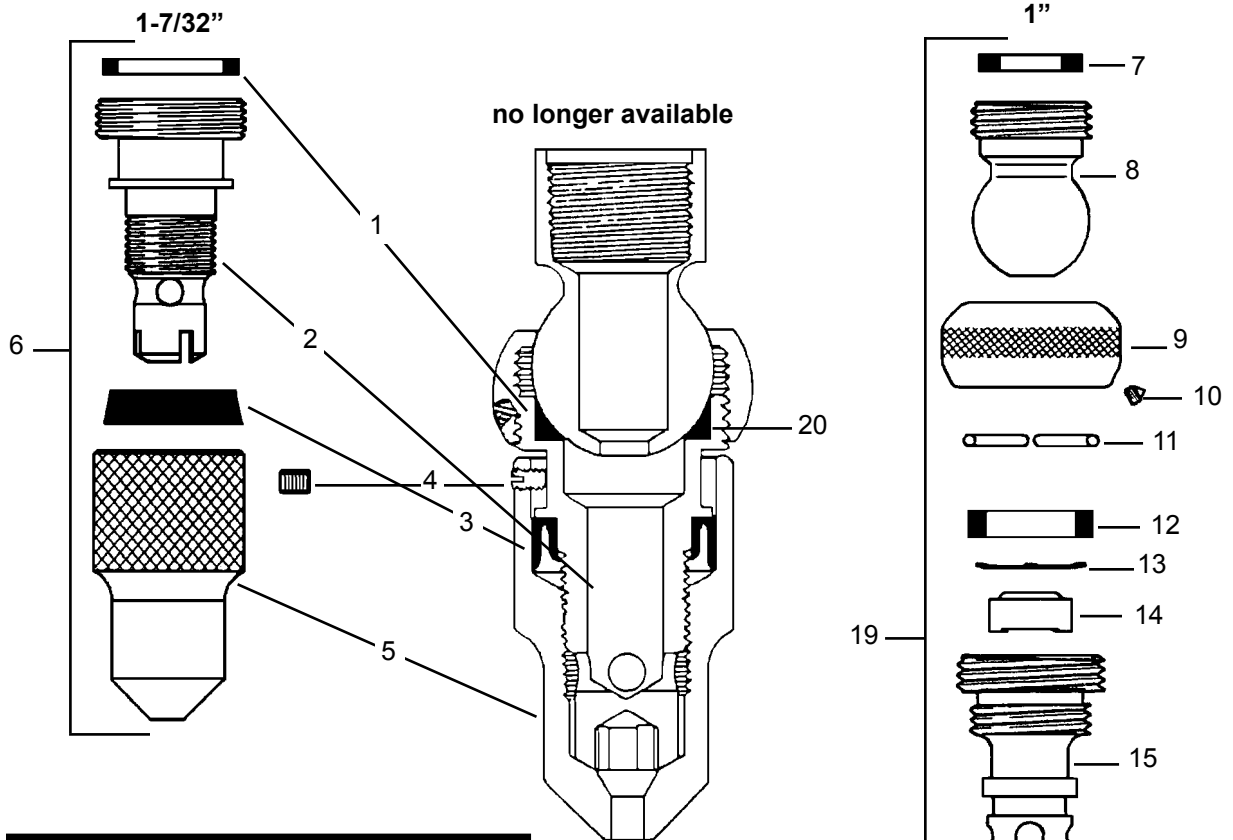
66504	rebuild kit include items (5, 10-15)
66505	packing and gasket kit include items (5, 13, 17, 18, 20, 21, 24, 25)
66506	checkstop kit 3/4" & 1" include items (17, 18, 20, 21, 24, 25)

TM 125 & 150

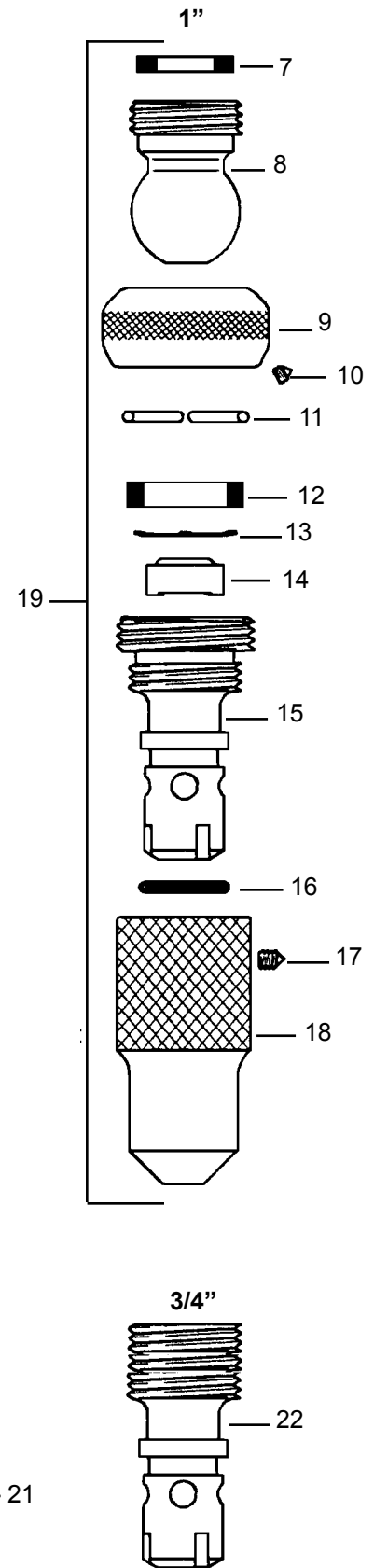
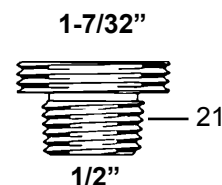
66508	rebuild kit include items (5, 10-15)
66509	packing and gasket kit include items (5, 13, 17, 18, 20, 21, 24, 25)

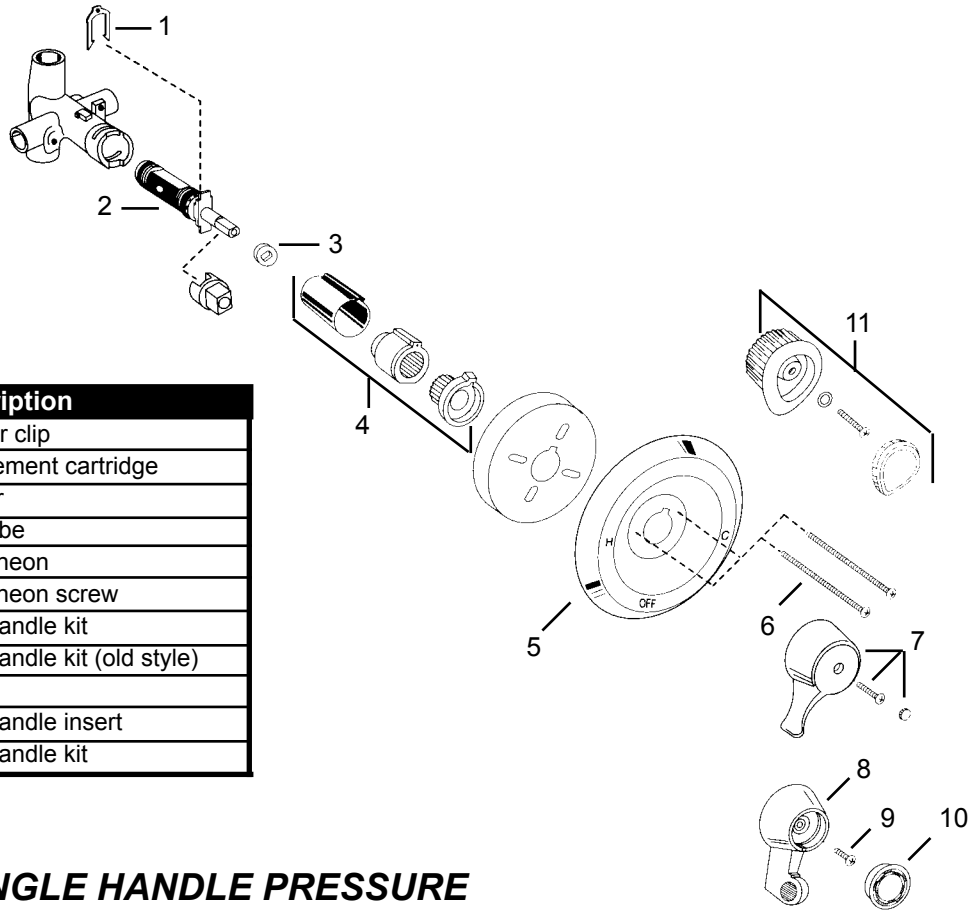
Item	Cat #	Description
16	66555	bonnet, rb (50, 80, 125, 150)
	66557	bonnet, cp (50, 80, 125, 150)
17	66565	bonnet pkg. (50, 80)
	66566	bonnet pkg. (125, 150)
18	66573	upper stem o-ring (50, 80)
	66574	upper stem o-ring (125, 150)
19	66237	chrome plated upper stem (50, 80, 125, 150)
	66238	rough brass upper stem (50, 80, 125, 150)
20	66583	spring (50, 80)
	66584	spring (125, 150)
21	66559	lower stem w/packing (50, 80)
	66560	lower stem w/pkg. (125, 150)
22	66561	swivel, rb (50, 80)
	66563	swivel, cp (50, 80)
23	66575	swivel nut, rb (50, 80)
	66577	swivel nut, cp (50, 80)
	66576	swivel nut, rb (125, 150)
	66578	swivel nut, cp (125, 150)
24	66585	strainer screen (50, 80)
	66586	strainer screen (125, 150)
25	66587	strainer cap pkg. (50, 80)
	66588	strainer cap pkg. (125, 150)
26	66567	strainer cap, rb (50, 80)
	66569	strainer cap, cp (50, 80)
	66568	strainer cap, rb (125, 150)
	66570	strainer cap, cp (125, 150)





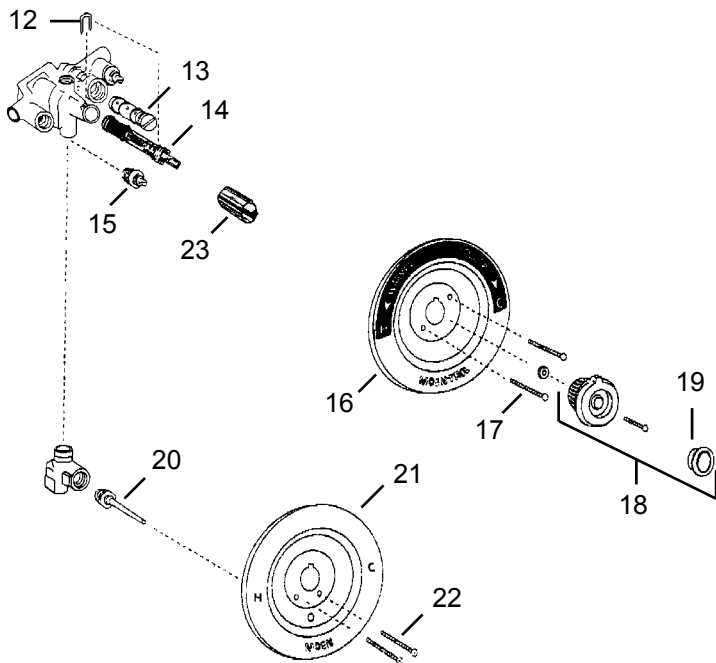
Item	Cat #	Description
1	45001	gasket
2	45002	cap receiver
3	41440	cap gasket
4	45003	cup point screw
5	45005	adjusting cap
6	45004	shower head assembly
7	45030	gasket
8	45031	ball joint body, male
9	45032	ball joint nut
10	45000	set screw
11	45033	retaining ring
12	45034	gasket
13	45035	flo-control retainer
14	45036	flo-control 2.5 gpm
15	45992	cap receiver
16	45037	o-ring
17	45000	set screw
18	44991	shower cap
19	44990	shower head assembly
20	11705	packing
21	44995	adapter with 1/2" male NPT
22	45993	cap receiver



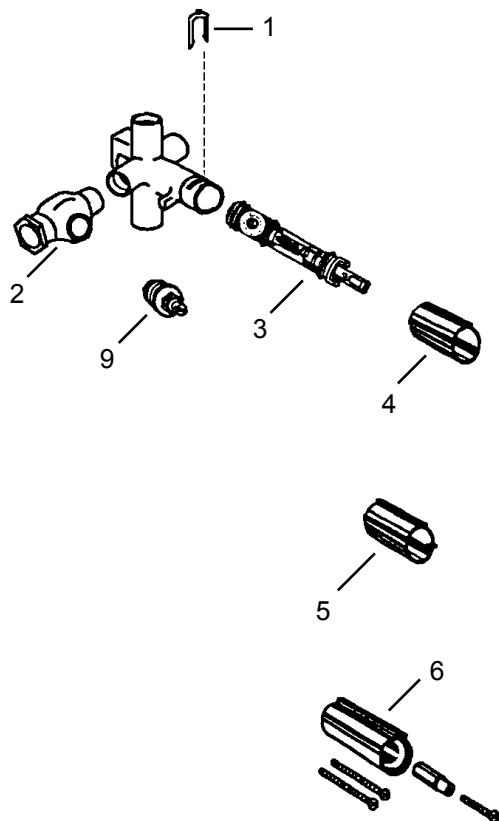


Item	Cat #	Description
1	40609	retainer clip
2	46625	replacement cartridge
3	40610	washer
4	40611	stop tube
5	40612	escutcheon
6	40613	escutcheon screw
7	40614	lever handle kit
8	40615	lever handle kit (old style)
9	40616	screw
10	40617	lever handle insert
11	46607	knob handle kit

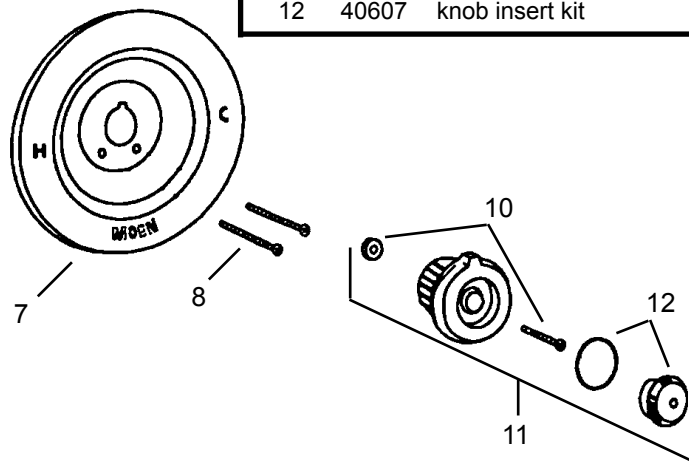
SANI-STREAM SINGLE HANDLE PRESSURE BALANCEING SHOWER VALVE



Item	Cat #	Description
12	46549	retainer clip
13	46621	balance spool
14	46540	brass cartridge
	46548	plastic cartridge
15	46622	stop check valve kit
16	40620	escutcheon
17	40621	escutcheon screw
18	46600	handle knob assembly
19	40623	handle insert kit
20	40624	push button diverter assy
21	40625	escutcheon
22	40626	escutcheon screw
23	46613	stop tube

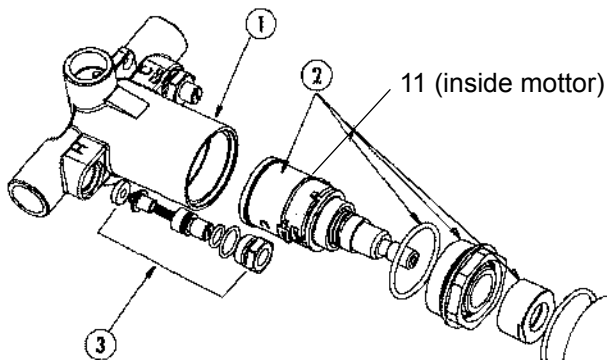


Item	Cat #	Description
1	46549	retainer clip
2	40600	stop check valve
3	46540	brass cartridge
	46548	plastic cartridge
4	46613	stop tube
5	46617	adjustable temperature stop
6	40601	handle extension kit
7	40602	escutcheon
8	40603	escutcheon screw
9	40604	stop check valve kit
10	40605	hardware package
11	40606	knob kit
12	40607	knob insert kit



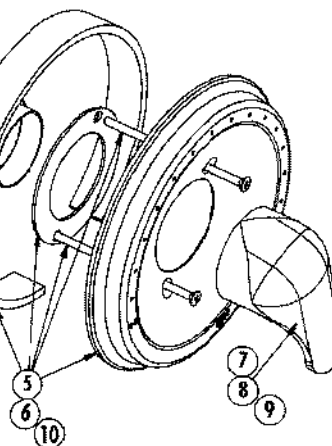
Powers

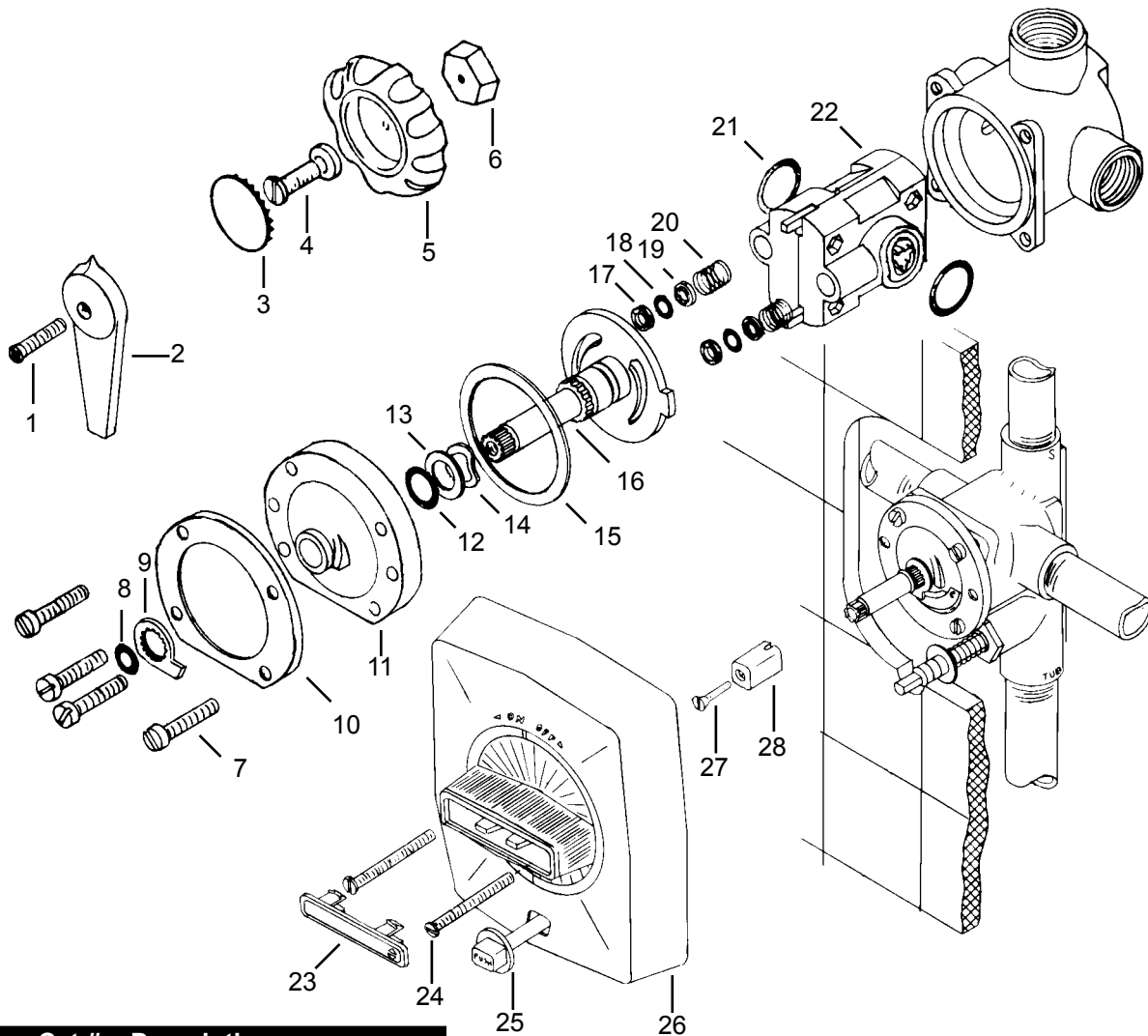
SERIES e700 SHOWER VALVE



Item	Cat #	Description
1	N/A	valve body
2	100002	cartridge kit
3	40680	checkstop replacement kit
4	40686	sleeve kit
5	40687	metal trim plate kit
6	40688	abs trim plate kit

7	40689	metal handle kit
8	40690	abs handle kit
9	40691	dome handle kit
10	40692	metal flat trim plate kit
11	40466	element motor

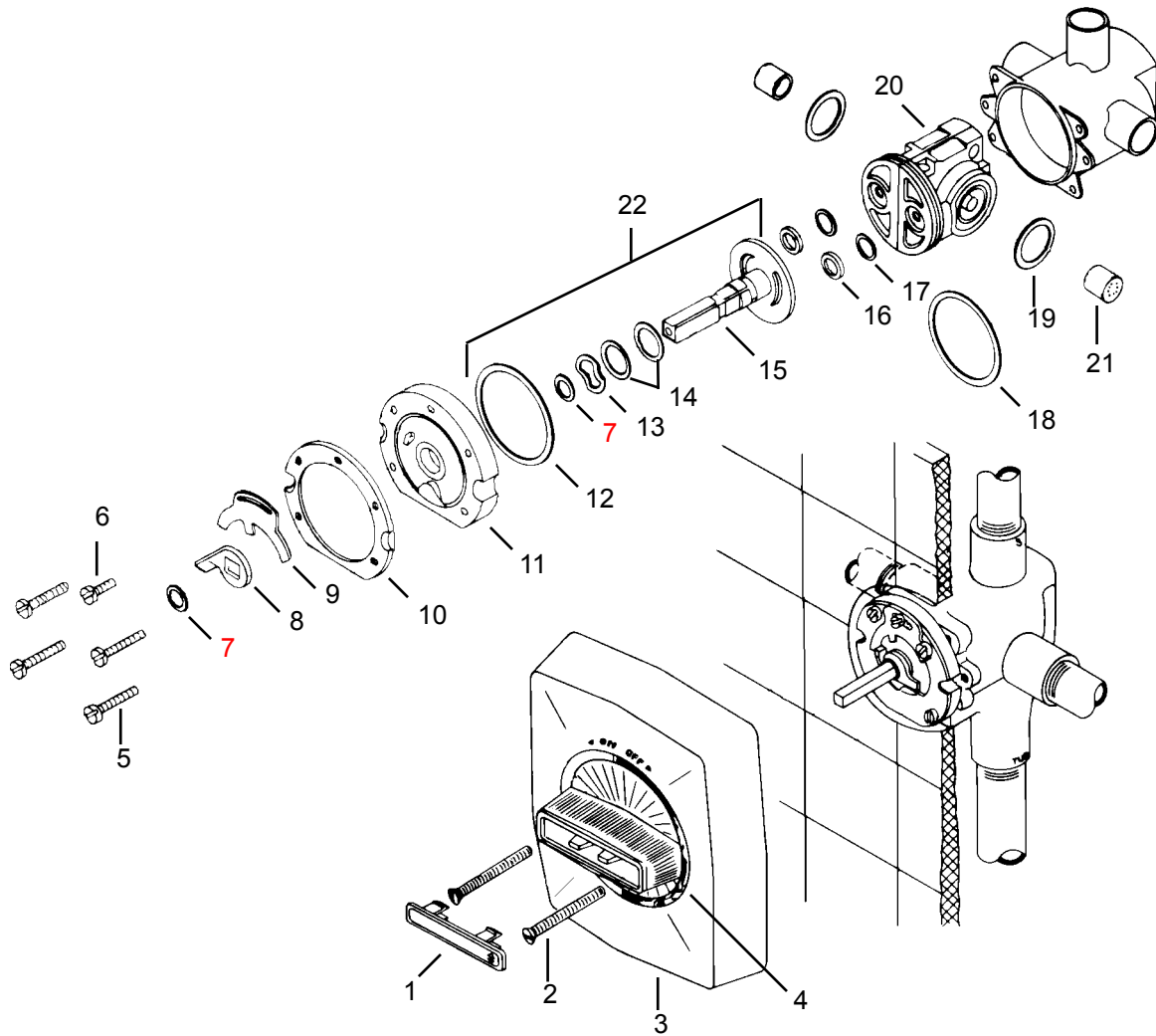




Item	Cat #	Description
1	44210	handle screw
2	44213	lever handle
3	44214	plug button
4	14081	handle screw
5	44216	lucite handle
6	44211	handle insert
7	44323	bonnet screw (4 req'd)
8	11507	o-ring
9	44234	temperature stop
10	44235	support ring
11	44236	bonnet
12	11507	o-ring
13	44237	washer
14	44238	wavy washer
15	44241	bonnet washer
16	44246	stem & plate replacement kit
17		shut off disc (w/item 22)
18	11507	o-ring
19		guide (w/item 22)

Item	Cat #	Description
20		spring (w/item 22)
21	11540	o-ring
22	44245	cartridge kit (includes items 15, 17-21)
23	44365	plug button
24	44367	screw (2 req'd)
25	44368	diverter knob assembly
26	44339	handle & dial plate assy.
27	44369	screw
28	44370	stem guide

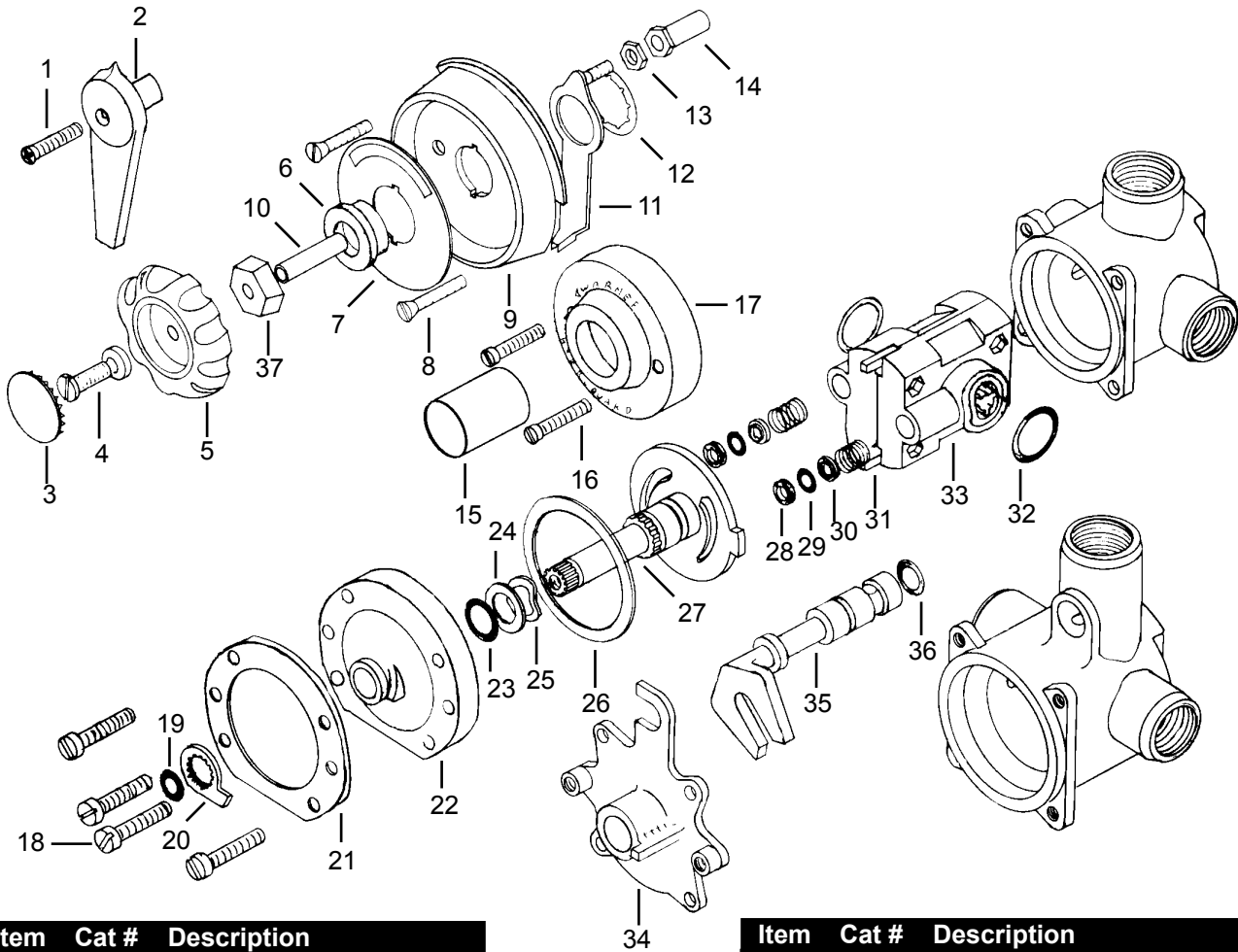
44246 stem & plate replacement kit includes items (8, 12-16)
44247 rebuilding kit includes item (15)
 2 each of items (17, 18, 21)



Item	Cat #	Description
1	44365	plug button
2	44366	screw (2 req'd)
3	44338	handle & dial assembly
4		selector dial (w/item 3)
5	44254	bonnet screw (4 req'd)
6	44255	adjustment stop screw
7	11507	o-ring
8	44256	maximum temp stop
9	44257	adjustment stop
10	44258	support ring
11	44259	bonnet
12	44260	bonnet gasket
13	44238	wavy washer
14	44237	flat washer (2 req'd)

Item	Cat #	Description
15		throttling stem (w/item 22)
16		shut off disc (w/item 20)
17	44360	quad ring (2 req'd)
18	11528	o-ring (2 req'd)
19	11540	o-ring
20	44362	balance cartridge kit includes items (7, 12, 13, 14, 15)
21	44361	strainer cap
22	44363	stem & plate repair kit includes items (7, 12-15)

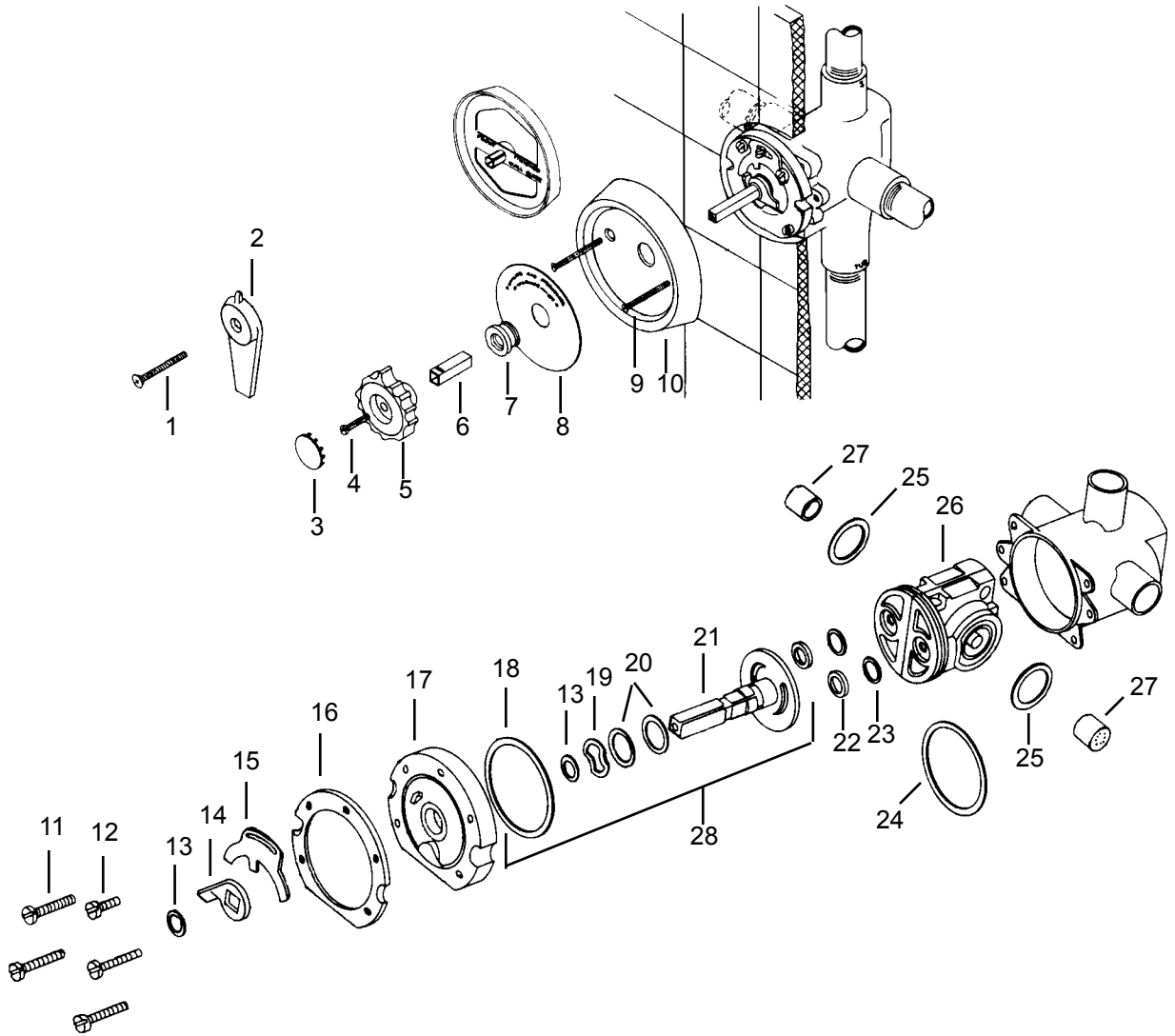




Item	Cat #	Description
1	44210	handle screw (all except 415)
	14064	handle screw for 415
2	44212	handle kit (all except 415)
	44213	handle kit for 415
3	44214	plug button
4	14081	handle screw
5	44216	lucite handle kit
6	44217	retainer, standard model
	44218	retainer, deluxe model
7	44219	dial insert, std. or dlx. model
8	44221	screw (2 req'd)
9	44222	dial plate, standard model
	44223	dial plate, deluxe model
10	44374	sleeve
11	44226	volume lever, deluxe model
12	44227	retainer, deluxe model
13	44228	nut, deluxe model
14	44229	sleeve, deluxe model
15		sleeve (with items 2 & 5)
16	44230	screw (2 req'd)
17	44231	exposed dial
18	44232	bonnet screw, std. (4 req'd)
	44233	bonnet screw, dlx. (4 req'd)
19	11507	o-ring

Item	Cat #	Description
20	44234	hightemp stop
21	44235	support ring, std. model
22	44236	bonnet, standard model
23	11507	o-ring
24	44237	washer
25	44238	wavy washer
26	44241	bonnet gasket
27	44246	stem & plate replacement includes items (19, 23-27)
28		shut-off disc (with item 33)
29	11507	o-ring
30		guide (with item 33)
31		spring (with item 33)
32	11540	o-ring
33	44245	cartridge kit, includes items (26, 28-32)
34	44243	bonnet, deluxe model
35	44244	volume valve assembly
36	11507	o-ring
37	44211	handle insert

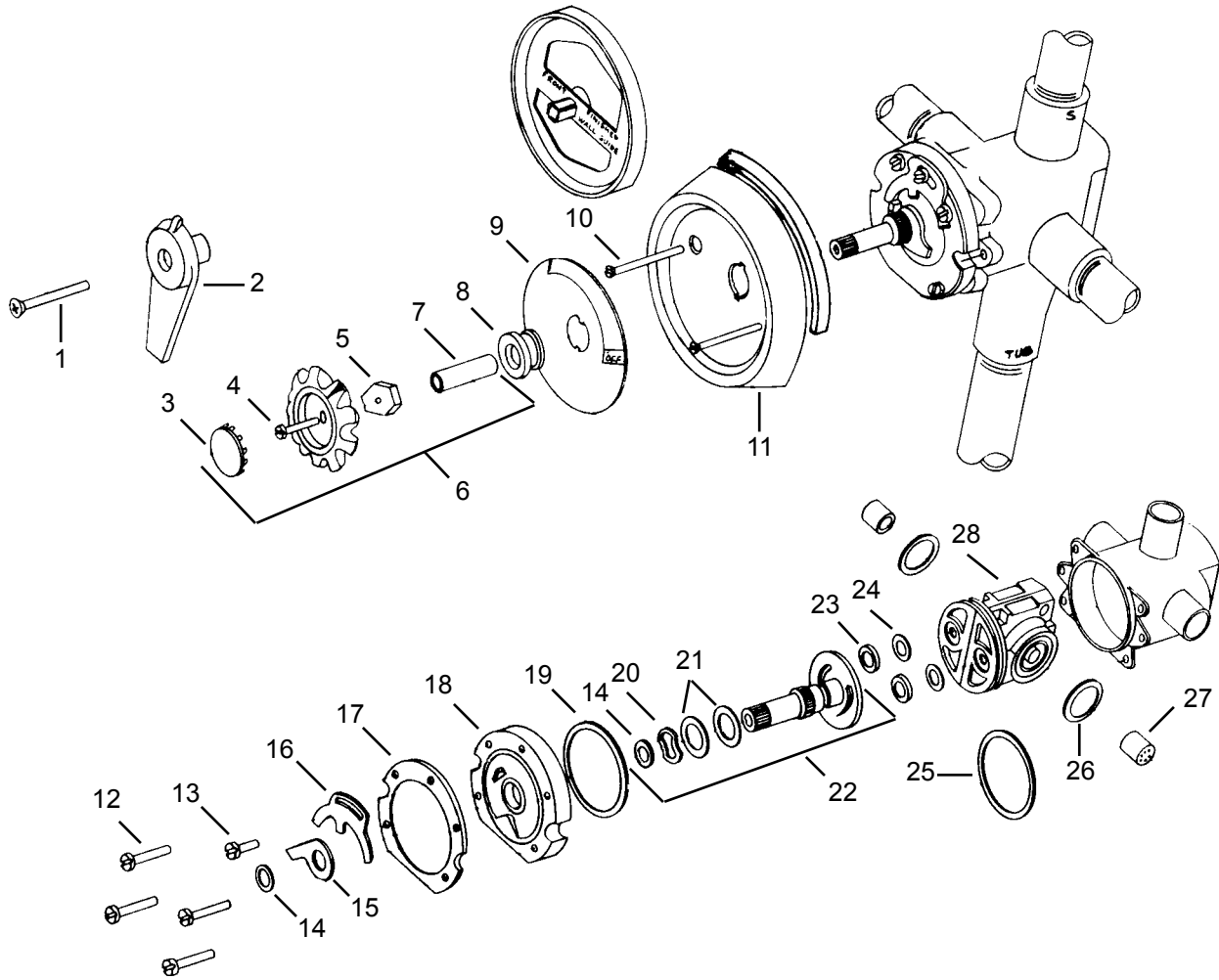
44247 rebuilding kit includes item (26) & 2 each of (28, 29, 32)



Item	Cat #	Description
1	44248	screw
2	44249	lever handle assembly
3	44214	plug screw
4	44250	screw
5	44251	plastic knob
6	44252	extension
7	44253	retainer
8	44219	dial insert
9	44221	screw
10	44222	dial plate
11	44254	bonnet screw (4 req'd)
12	44255	adjustable stop screw
13	11540	o-ring
14	44256	max temp. stop
15	44257	adjustment stop
16	44258	support ring

Item	Cat #	Description
17	44259	bonnet
18	44260	bonnet gasket
19	44238	wavy washer
20	44237	washer (2 req'd)
21	44359	throttling stem
22		shut-off disc (w/item 26)
23	44360	quad ring (2 req'd)
24	11528	o-ring
25	11540	o-ring (2 req'd)
26	44362	balance cartridge kit includes items (18, 22-25)
27	44361	strainer cap (2 req'd)
28	44363	stem & plate replacement kit includes items (13, 18-21)

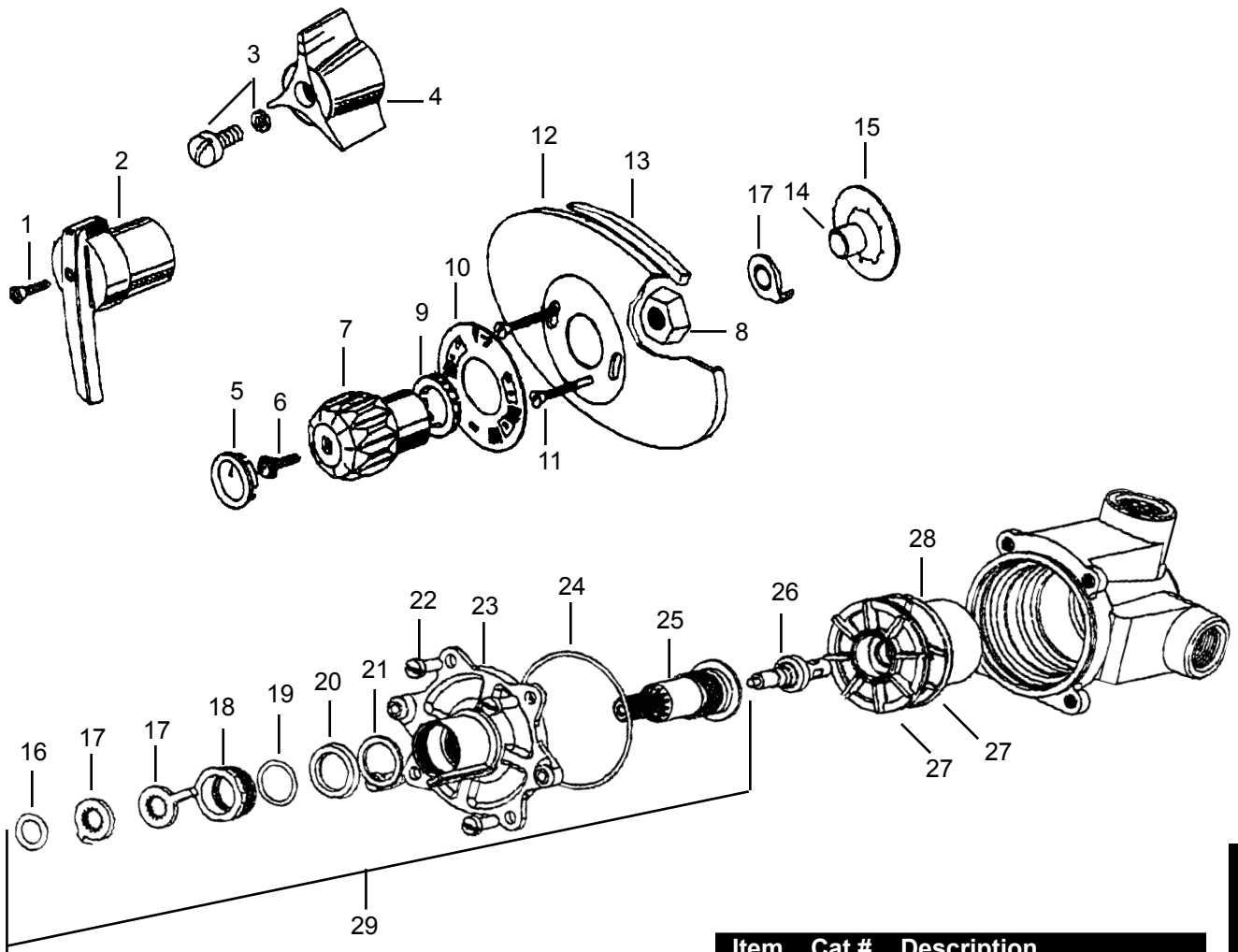




Item	Cat #	Description
1	44210	handle screw
2	44213	lever handle
3	44214	handle plug button
4	44215	handle screw (lucite handle)
5	44216	lucite handle assembly
6	44211	handle insert
7	44220	sleeve
8	44217	retainer
9	44219	dial insert
10	44221	dial screw (2 req'd)
11	44222	dial plate
12	44254	bonnet screw (4 req'd)
13	44255	adj. stop screw
14	11507	o-ring
15	44340	temperature stop
16	44257	adjustment stop

Item	Cat #	Description
17	44258	support ring
18	44259	bonnet
19	44260	bonnet gasket
20	44238	wavy washer
21	44237	flat washer (4 req'd)
22	44246	stem & plate kit
23		shut off disc (with item 28)
24	44360	quad ring
25	11528	o-ring
26	11540	strainer cap o-ring
27	44361	strainer cap
28	44362	balancing cartridge includes items (19, 23-26)

44247 rebuild kit includes item (19) and 2 each of items (14, 23-26)

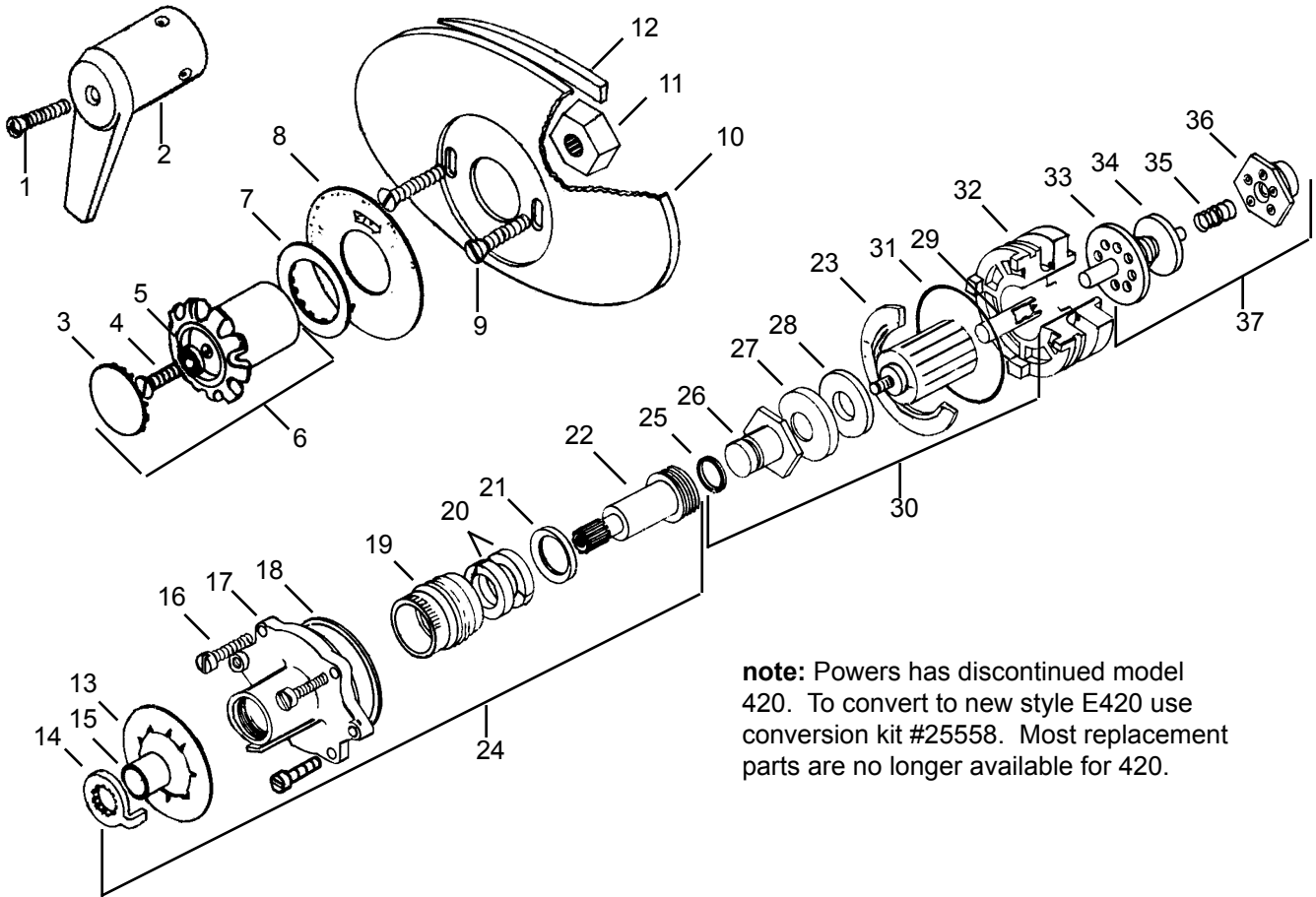


Item	Cat #	Description
1	44210	handle screw
2	40451	lever handle assy (items 1, 2)
3	40452	handle screw and washer
4	40453	tri-handle assy (items 3-5)
5	40455	plug button and insert
6	40456	handle screw and washer
7	40457	knob handle assy (items 5-8)
8	40458	knob insert
9	44267	retaining ring
10	40460	dial graphic insert
11	40461	screw (2 req'd)
12	40462	dial plate
13	40463	dial gasket
14	44277	spacer

Item	Cat #	Description
15	*	id tag
16	40464	o-ring
17	44276	temp stop
18	44306	packing gland
19	40472	o-ring
20	44307	huva cup
21	40467	packing stop ring
22	44233	bonnet screws
23	40469	bonnet
24	44281	bonnet o-ring
25	40470	adjustment stem
26	40466	thermal actuator
27	40471	o-ring
28	40468	cartridge assembly
29	40465	bonnet assembly

25558 complete conversion kit, items 16-28

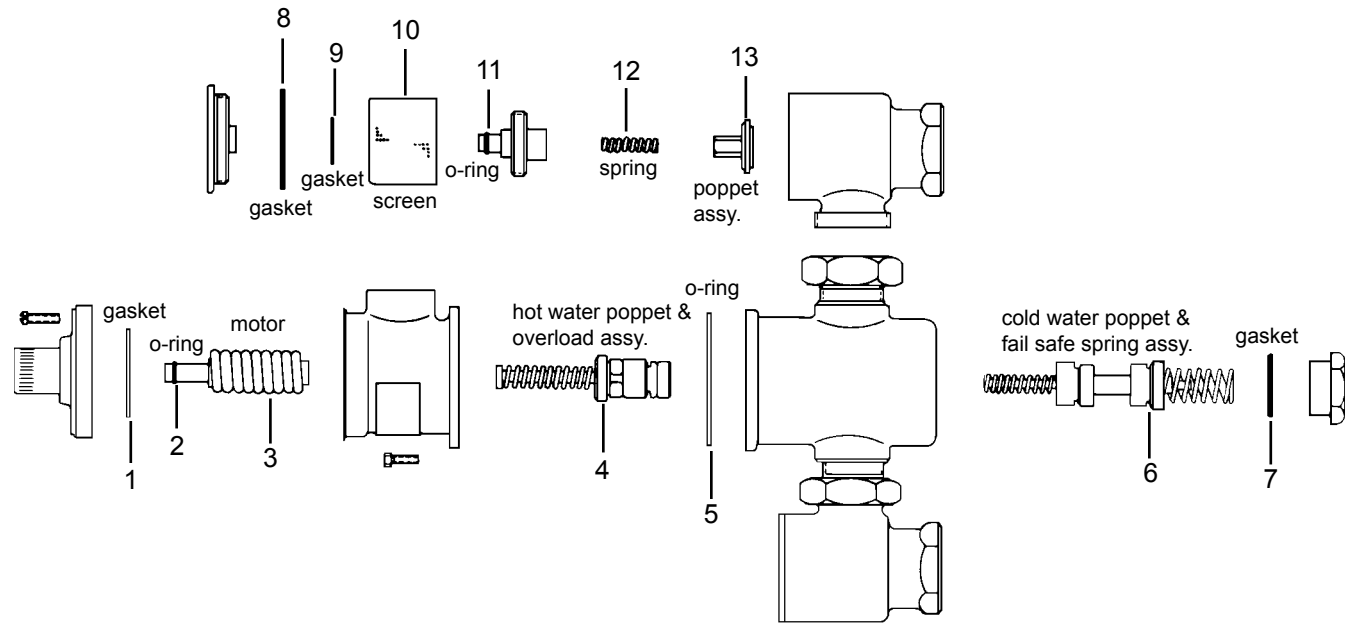




note: Powers has discontinued model 420. To convert to new style E420 use conversion kit #25558. Most replacement parts are no longer available for 420.

Item	Cat #	Description
1	44210	handle screw
2	44262	lever handle kit (model 7)
3	44214	handle plug button
4	14013	handle screw (lucite handle)
5	44264	handle washer
6	44266	handle assembly (3, 4, 5, 12)
7	44267	retainer
8	44268	dial insert
9	44269	dial screw
10	44271	dial plate (concealed-oval)
	44272	dial plate (exposed-round)
11	44274	handle insert
12	44225	dial gasket

44300 rebuild kit includes items (18, 20, 25, 28, 31, 34)

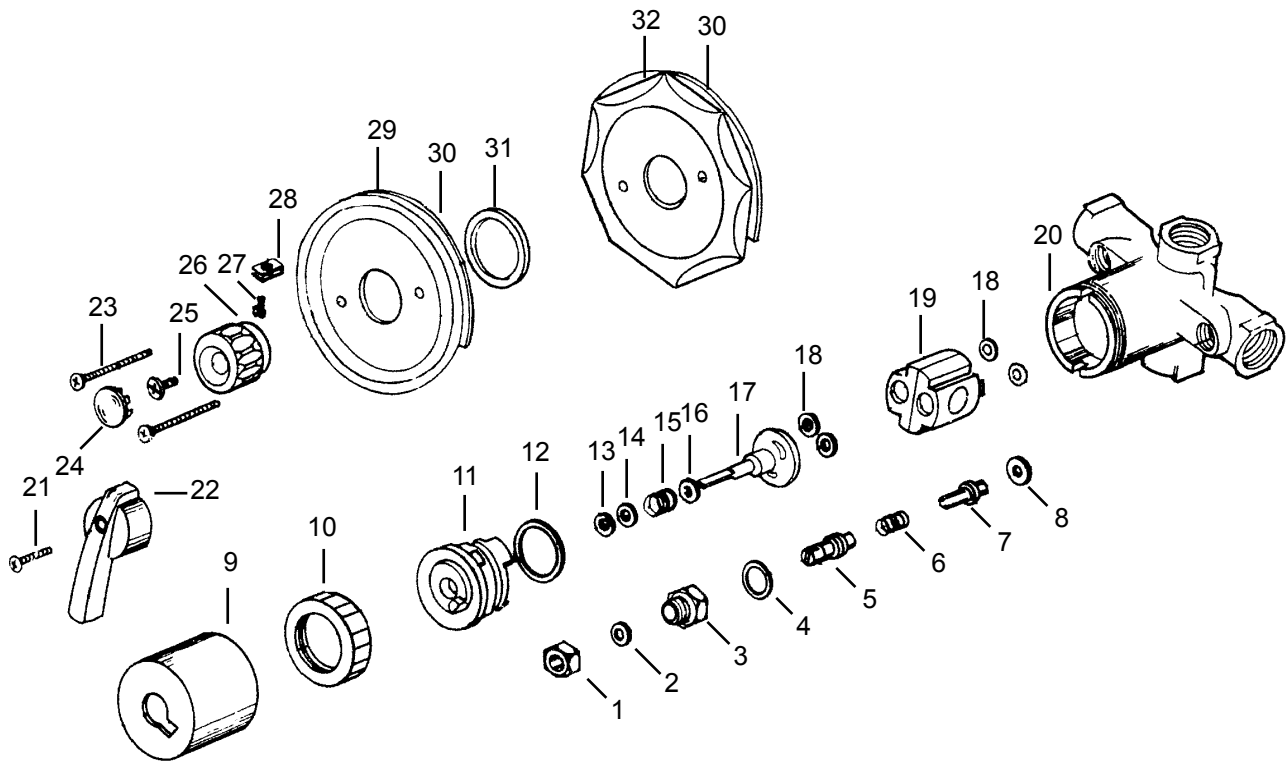


Model	Inlet	Outlet
Powers 431	3/4"	3/4"
Powers 432	3/4"	1"
Powers 433	1-1/4"	1-1/4"
Powers 434	1-1/4"	1-1/2"

Repair Kits	Repair Kit Includes	431	432	433	434
motor replacement	1, 2 and 3	44313 (65°-115°)	44320 (65°-115°)	44327 (65°-115°)	44334 (65°-115°)
strainer replacement	8, 9, 10 and 11	44315	44315	44329	44329
checkstop replacement	8, 9, 11, 12 and 13	44316	44316	44330	44330
gasket & disc replacement	1, 2, 5, 7, 8, 9, 11 and 13	44310	44317	44324	44331
mixing valve replacement	1, 4, 5, 6 and 7	44311	44318	44325	44332

*additional temperatures for motor replacement kits are available upon request (40°-90° and 85°-160°)





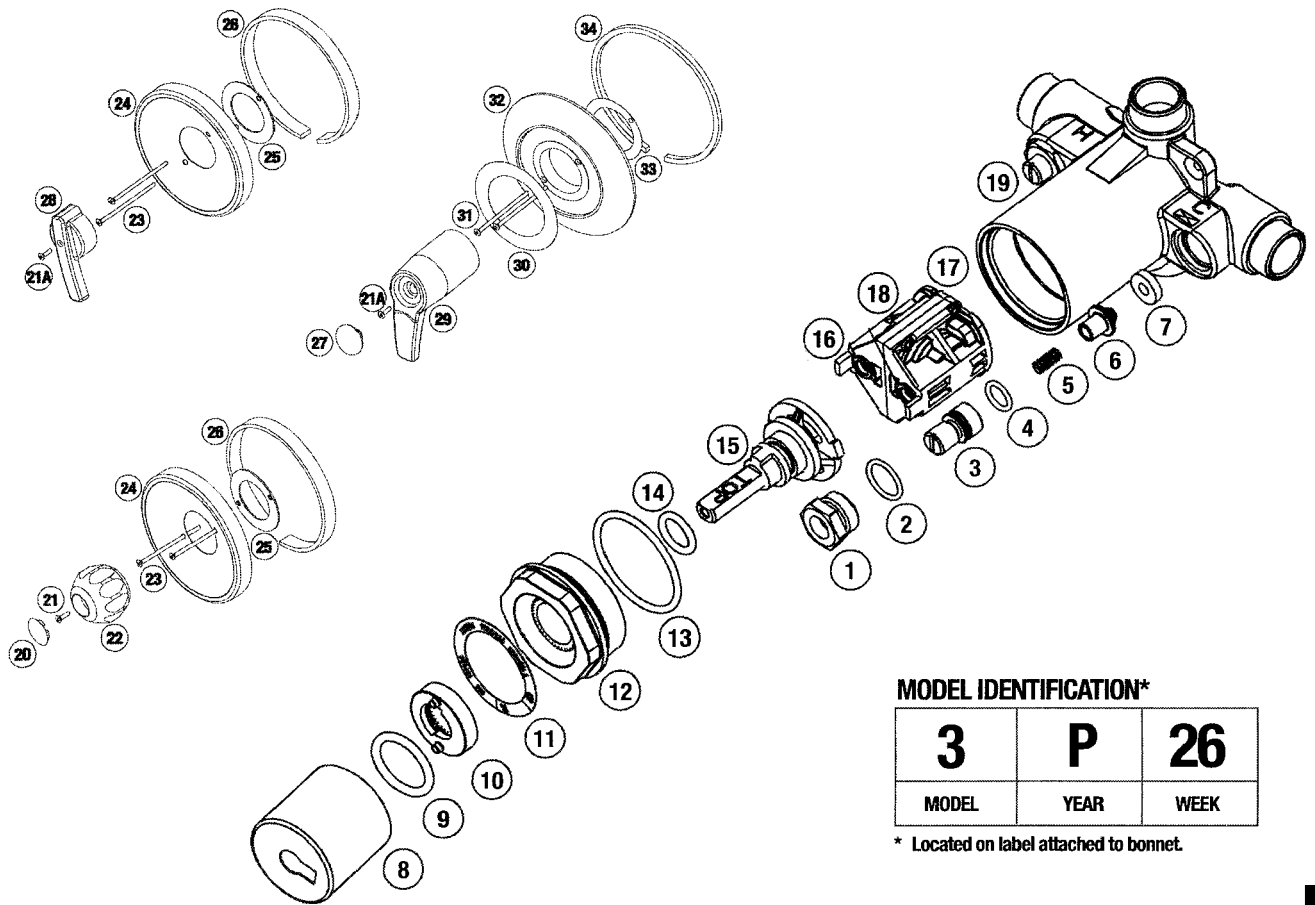
Item	Cat #	Description
1	40645	bonnet nut
2	40646	bonnet seal
3	40647	checkstop bonnet
4	40648	bonnet o-ring
5	40649	stem
6	40650	plunger spring
7	40651	plunger
8	40652	plunger disc
9	40653	sleeve
10	40654	bonnet retainer
11	40655	mixer bonnet
12	40656	o-ring
13	40657	o-ring
14	40658	washer
15	40659	spring
16	40660	washer
17	40661	throttling stem
18	40662	throttle discs
19	40663	balance chamber
20	40664	threaded body
	40665	sweat body
21	40666	screw
22	40667	lever handle
23	40668	screw
24	40669	plug button
25	40670	screw
26	40671	lucite handle
27	40672	screw

Item	Cat #	Description
28	40673	limit adjustment
29	40674	round dial plate
30	40675	adhesive gasket
31	40676	gasket
32	40677	octagon dial plate

ADDITIONAL KITS

40636	stem extension
40637	thin wall mounting
40638	vandal proof screws
40639	lucite handle assy.
40640	lever handle assy.
40641	round faceplate assy.
40642	octagon faceplate assy.

Repair Kits	Repair Kit Includes	Repair Kit #
gasket & disc replacement	2(2 ea), 4(2 ea), 8(2 ea), 12, 13, 16, 18(4 ea)	40633
internals replacement	11, 12, 13, 14, 15, 16, 17, 18(4 ea), 19	40634A (mod. 1) 40634 (mod. 2)
checkstop replacement	(2 each of) 1, 2, 3, 4, 5, 6, 7, 8 *model 1 use white TFE gasket *model 2 use black Viton A o-ring	40635



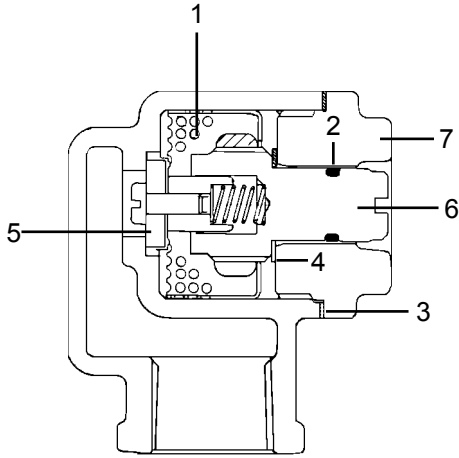
Item	Description
1	bonnet nut
2	o-ring
3	check stem
4	o-ring
5	spring
6	poppet
7	disc
8*	sleeve
9	o-ring
10	limit stop
11	name plate
12	bonnet
13	o-ring
14	o-ring
15	stem assembly
16	outlet seal
17	o-ring
18	cartridge

Item	Description
19	body
20	plug button insert
21	screw
21A	screw
22	knob
23	screw
24	round dial plate
25	gasket
26	gasket
27	plug button
28	lever handle
29	handle
30	insert
31	screw
32	trim plate
33	sleeve gasket
34	trim gasket

Repair Kits

- 40678** Gasket and disc replacement (2, 7, 9, 13, 14, 16, 17)
- 40679** Internals replacement (10, 11, 12, 13, 14, 15, 16, 17, 18)
- 40680** Checkstop replacement (1, 2, 3, 4, 5, 6, 7)
- 40681** Lucite handle replacement (20, 21, 22)
- 40682** Lever handle replacement (21A, 28)
- 40683** Handle replacement (21A, 27, 29)
- 40684** Round dial plate replacement (23, 24, 25, 26, 31)
- 40685** Trim plate replacement (30, 31, 32, 33, 34)





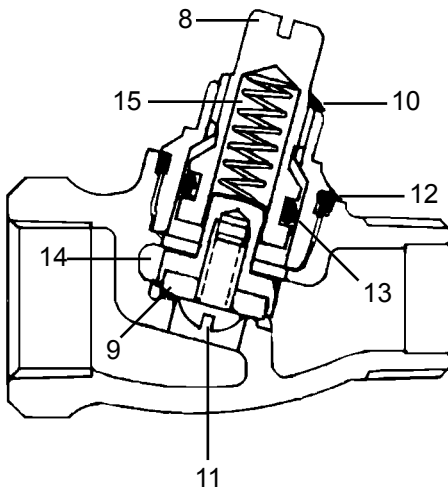
Item	Cat #	Description
1	*	screen (included in kit)
2	11507	o-ring
3	*	gasket (included in kit)
4	*	washer (included in kit)
5	*	check valve & spring
6	44349	stem, rb, for concealed cs
	44350	stem, cp, for exposed cs
7	44369	rb bonnet nut

- 44347** repair kit to replace check valve
includes items (1, 2, 3, 4, 5)

- 44348** repair kit to replace gaskets
includes items (2, 3, 4)

- 44368** strainer check stop complete

1/2" CHECKSTOP

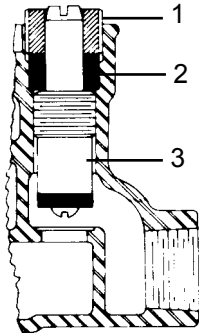


Item	Cat #	Description
8	44351	adjustment screw, rb
	44352	adjustment screw, cp
9	*	disc (included in kit)
10	44353	bonnet, rb
	44354	bonnet, cp
11	*	screw (included in kit)
12	*	o-ring (included in kit)
13	*	o-ring (included in kit)
14	*	check valve (included in kit)
15	*	spring (included in kit)

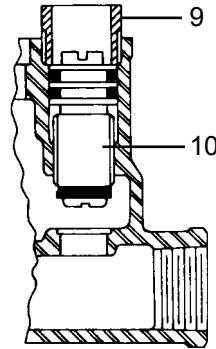
- 44355** repair kit includes items
(9, 11, 12, 13, 14, 15)

- 44356** checkstop assy. (bronze body)

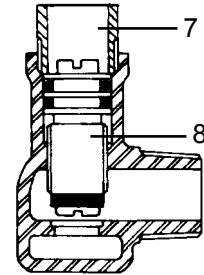
- 44357** checkstop assy. (chrome body)



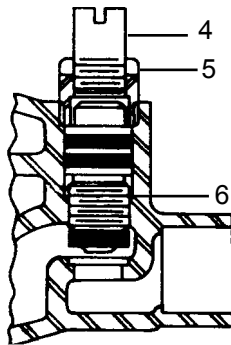
Safetymix valves prior to 1956



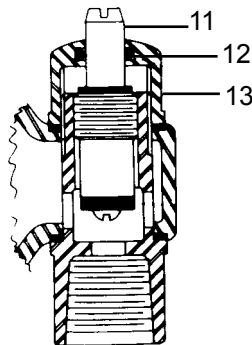
Safetymix valves 1956 to present



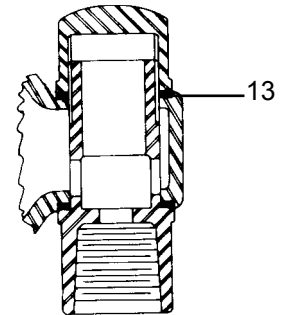
Safetymix'ette' and Temptrol 1965 - 1986



Temptrol with sweat connections

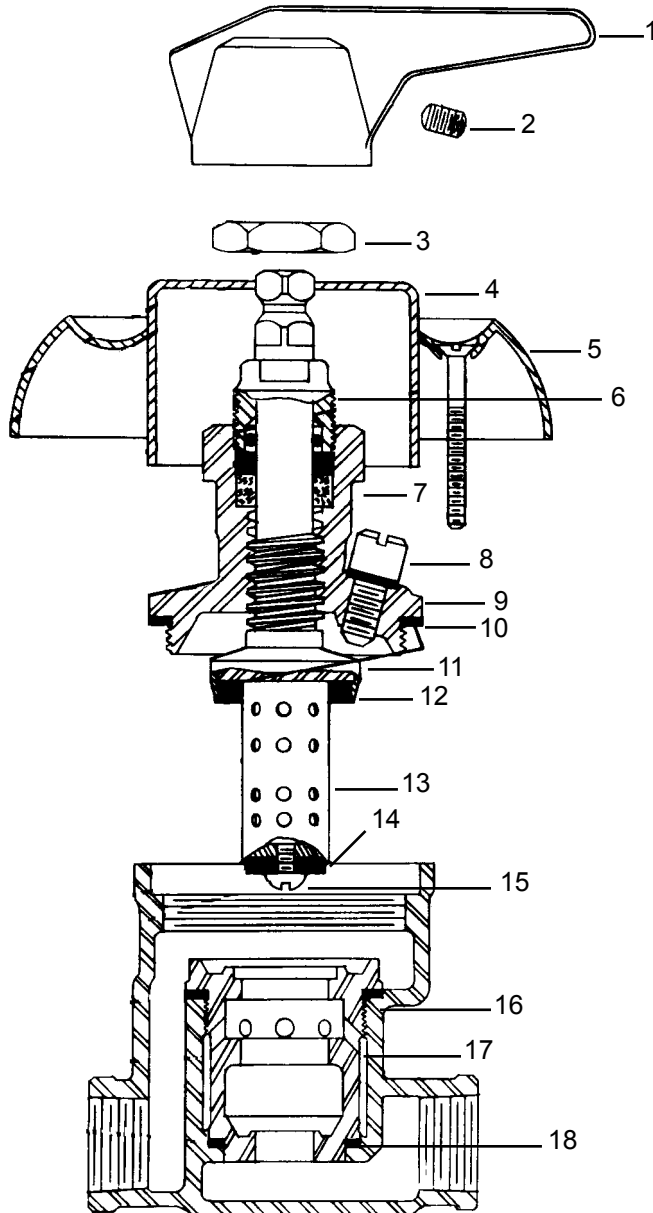


exposed Safetymix valves



Item	Cat #	Description
1	48315	packing nut
2	48316	packing
3	48317	spindle assembly
4	48329	escutcheon screw retainer
5	48330	plaster sheild
6	48331	spindle assembly
7	48318	plaster sheild for 5/8" stem
	48319	plaster sheild for 11/16" stem
8	48320	5/8" spindle assembly
	48321	11/16" spindle assembly
9	48322	plaster sheild for 5/8" stem
	48323	plaster sheild for 11/16" stem
10	48324	5/8" spindle assembly
	48325	11/16" spindle assembly
11	48326	spindle assembly
12	48327	o-ring
13	48328	gasket

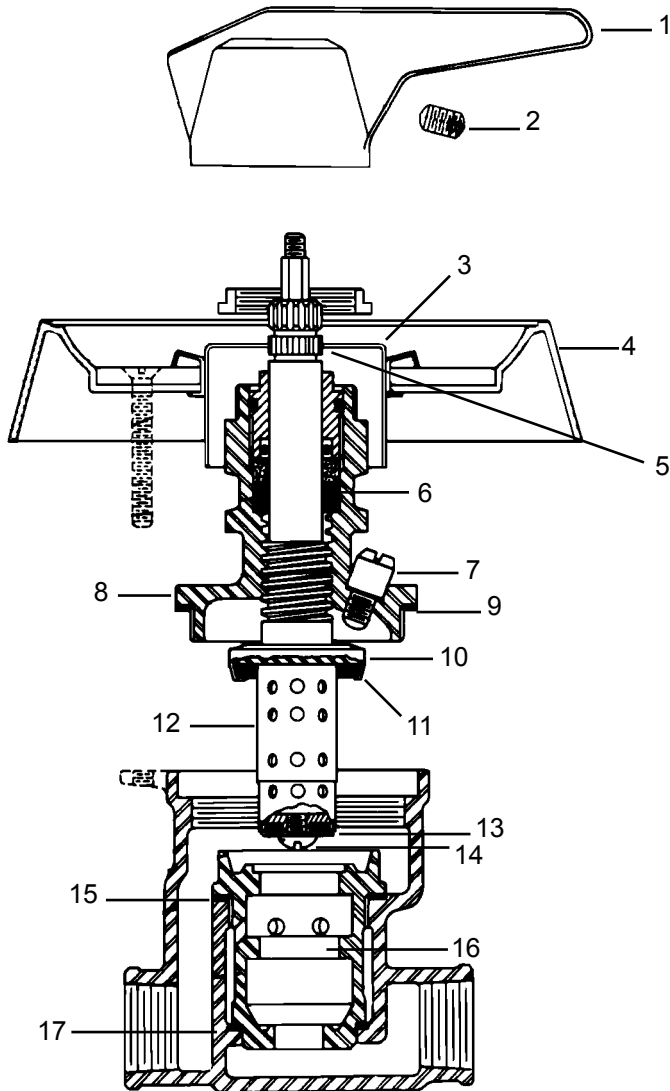
pressure balancing mixing valve prior to 1960, model C, model M or model MO



Item	Cat #	Description
1	48278	handle assembly
2	14090	handle set screw
3	48279	dial lock nut
4	48280	dome cover & dial
5	48281	escutcheon & screw
6	48282	packing nut
7	48283	packing set
8	48284	limit stop assembly
9	48285	cap
10	11778	washer
11	48286	cold washer retainer
12	48287	cold washer
13	48288	stem assembly
14	48289	hot washer
15	11033	monel screw
16	11774	washer
17	48290	renewable seat
18	11766	washer

48291 Safetymix washer & gasket kit - B includes items (2, 7, 10, 12, 14, 15)

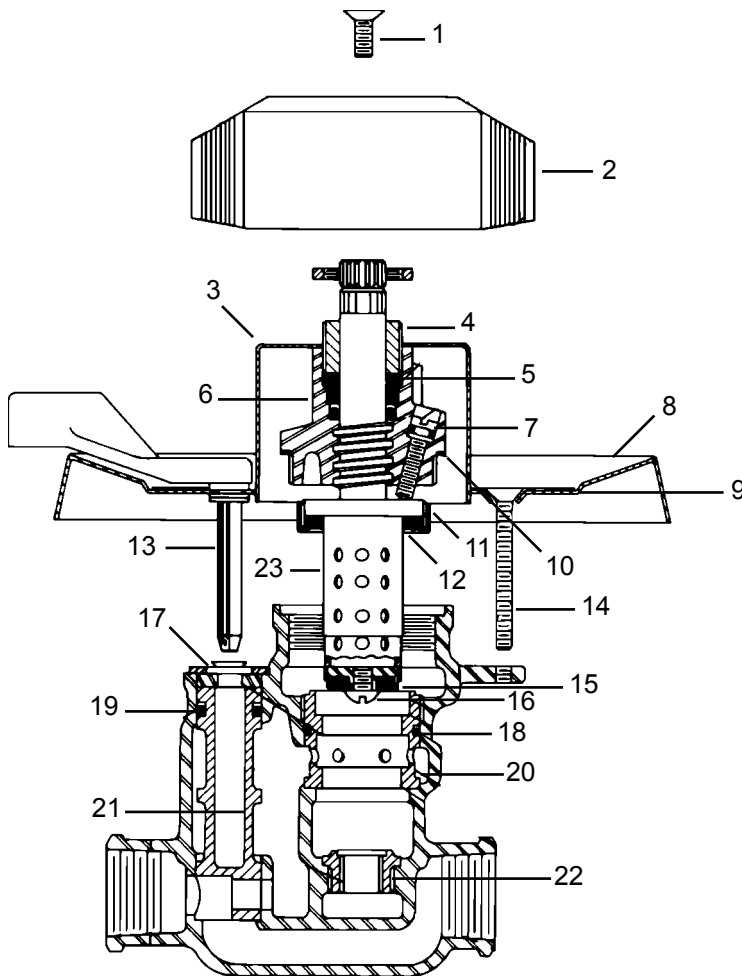
pressure balancing mixing valve from 1960 to date, model V or model O



Item	Cat #	Description
1	48278	handle assembly
	48292	lucite handle (not pictured)
2	14090	handle set screw
3	48298	dome cover & lock nut
4	48300	escutcheon & screw
5	48301	packing nut
6	48283	packing
7	48284	limit stop assembly
8	48302	cap
9	11778	cap gasket
10	48286	cold washer retainer
11	48287	cold washer
12	48288	flow control spindle assembly
13	48289	hot washer
14	11033	hot washer screw
15	11774	top seat washer
16	48290	renewable seat
17	11766	bottom seat washer

48291 Safetymix washer & gasket kit - B
includes items (2, 6, 9, 11, 13, 14)

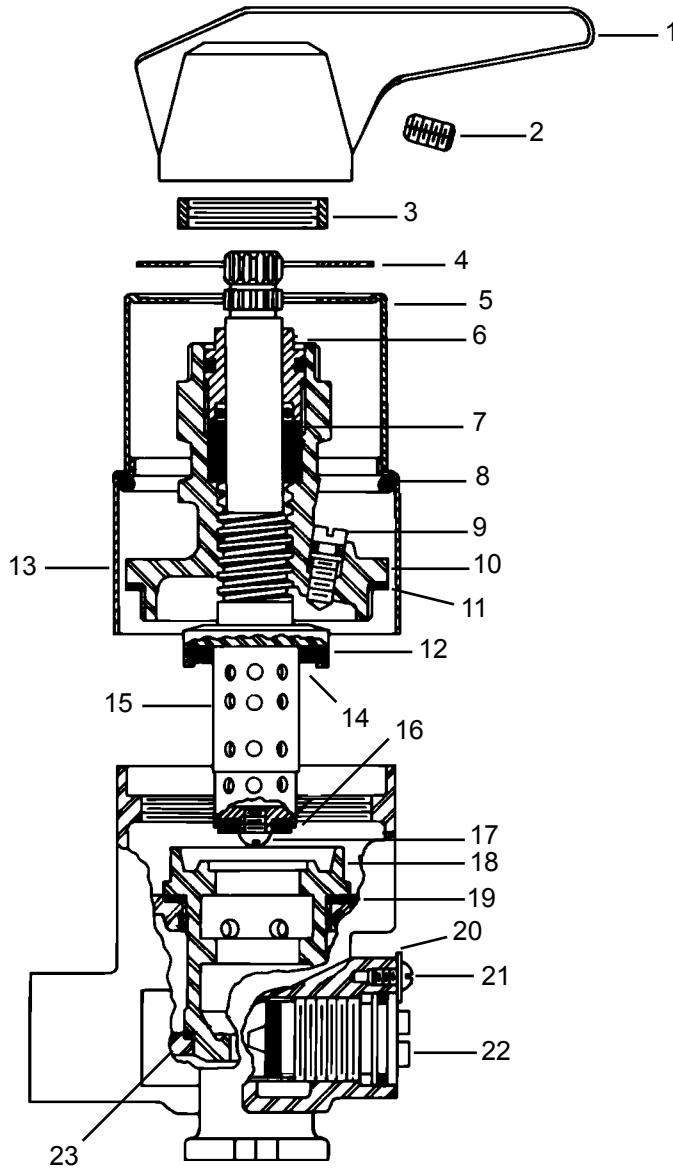




Item	Cat #	Description
1	14003	handle screw
2	48269	metal handle
	48269P	plastic handle
3	48257	dome cover & locknut
4	48255	packing nut
5	48283	packing, o-ring & washer
6	48256	cap assembly
7	48272	limit stop with o-ring
8	48263	escutcheon
9	48266	dial model B
	48267	dial model C
10	kit	cap gasket
11	kit	cold washer retainer
12	kit	cold washer
13	48268	diverter volume handle
14	48264	escutcheon screw (2 req'd)
15	kit	hot washer
16	11033	hot washer screw
17	47912	hold down washer with screw
18	11519	cold seat o-ring
19	11533	spindle o-ring
20	kit	cold renewable seat
21	47914	volume spindle (model 5)
	48260	diverter spindle (model 6)
22	kit	hot renewable seat
23	43461	spindle assembly

48252 hot & cold washer kit
includes (10, 11, 12, 15, 16)

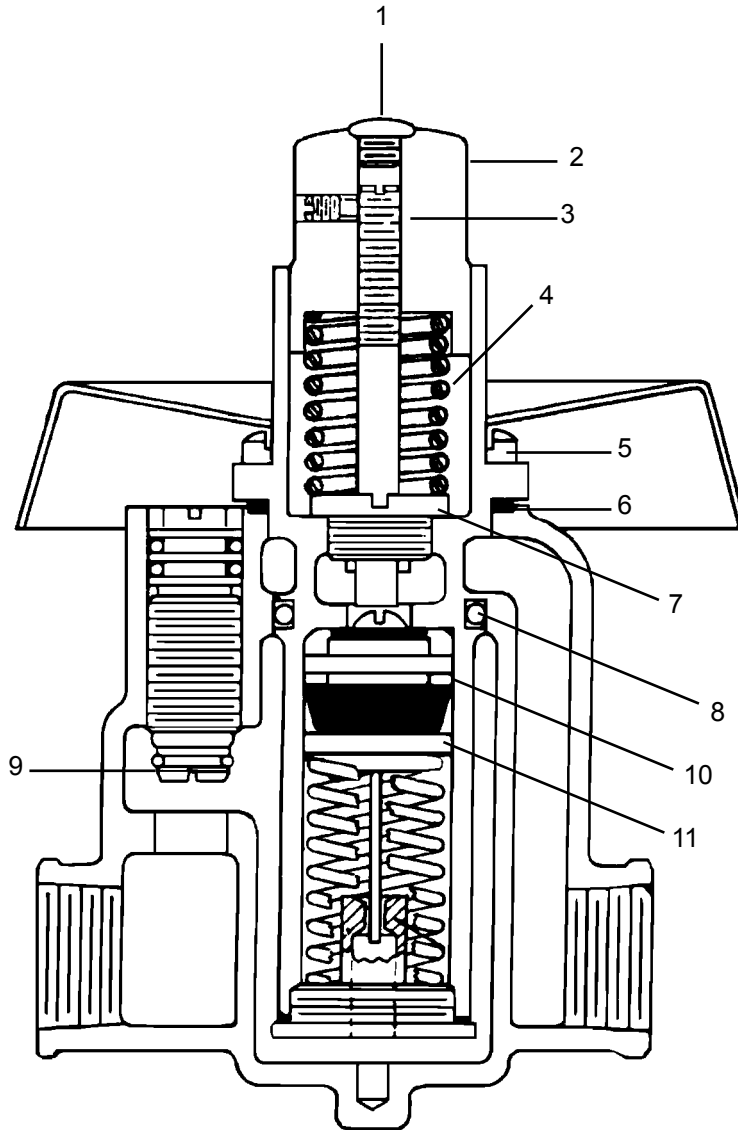
48350 hot & cold seat kit
includes (18, 20, 22)



Item	Cat #	Description
1	48278	lever handle
2	14090	handle screw
3	47899	dome lock nut
4	47900	dial
5	47901	dome cover
6	47898	packing nut
7	47897	packing
8	47902	o-ring
9	47903	limit stop with o-ring
10	48302	cap
11	11778	cap gasket
12	48286	cold washer retainer
13	47904	body cover
14	48287	cold washer
15	48288	flow control spindle assembly
16	48289	hot washer
17	11033	hot washer screw
18	48290	renewable seat
19	11774	top seat o-ring
20	47905	stop retainer washer
21	47906	stop retainer screw
22	48334	stop spindle
23	11766	bottom seat gasket

48291 Safetymix washer & gasket kit - B
includes items (2, 7, 11, 14, 16, 17)



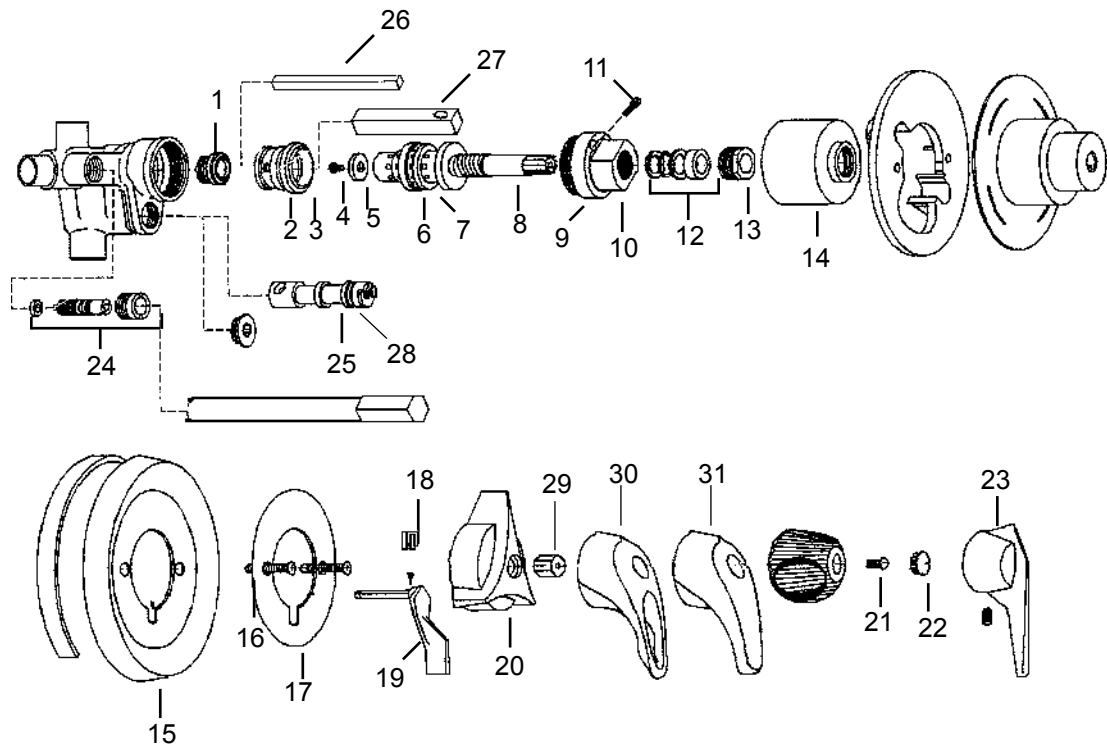


Item	Cat #	Description
1	48339	plug button
2	48340	knob & screw
3	48341	push rod
4	48345	knob spring
5	48346	cap screw (2 req'd)
6	48343	cap gasket
7	*	guide nut with o-ring
8	11572	o-ring
9	48351	integral stop unit
10	48342	piston o-ring
11	*	piston assembly

*available in kit **48359**

48354 complete cartridge replacement

48359 repair kit includes piston assembly, washers and gaskets

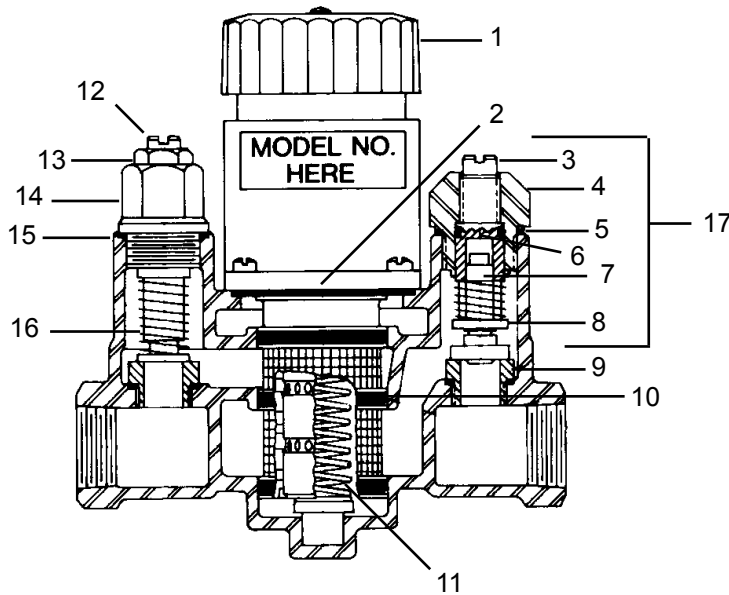


Item	Cat #	Description
1	kit	hot renewable seat
2	11519	cold seat o-ring
3	kit	cold renewable seat
4	11033	hot washer screw
5	kit	hot washer
6	kit	cold washer retainer
7	kit	cold washer
8	43461	flow control spindle
9	kit	cap gasket
10	48256	cap assembly
11	48272	limit stop with o-ring
12	48283	packing, o-ring & washer
13	48255	packing nut
14	48257	dome cover and lock nut

Item	Cat #	Description
15	48263	escutcheon
16	48264	screw (2 req'd)
17	48266	dial, model B
	48267	dial, model C
18	48261	diverter handle clip
19	48268	diverter handle
20	48269	metal handle
	48269P	plastic handle
21	48270	handle screw w/lock washer
22	48271	plug button
23	48278X	single blade lever handle
24	48275	stop spindle assembly
25	48260	diverter spindle
26	48273	hot seat removal tool
27	48274	cold seat removal tool
28	11533	o-ring
29	100958	insert
30	100965	loop handle
31	100957	new lever handle

48252 hot and cold washer kit
includes (4, 5, 6, 7, 9)

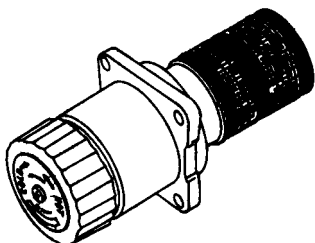
48350 hot and cold seat kit
includes (1, 2, 3)



Model	Inlet	Outlet
5-200	3/4"	3/4"
5-400	3/4"	1"
5-500	1"	1-1/4"
5-700	1-1/4"	1-1/2"

Item	5-200	5-400	5-500	5-700	Description
1	48100	48101	48102	48103	cartridge unit
2	48104	48105	48106	48107	casing gasket
3	48108	48109	48110	48111	stop spindle
4	48112	48113	48114	48115	cap
5	48116	48117	48118	48119	stop spindle o-ring
6	48120	48121	48122	48123	cap gasket
7	48124	48125	48126	48127	check spindle and spring
8	48128	48129	48130	48131	check spring retainer
9	48132	48133	48134	48135	check seat
10	48136	48137	48138	48139	sleeve o-rings (3)
11	48140	48141	48142	48143	spring
12	n/a	n/a	n/a	n/a	stop spindle (included w/item 17)
13	48144	48145	48146	48147	gland nut and packing
14	n/a	n/a	n/a	n/a	cap (included with item 17)
15	48120	48121	48122	48123	cap gasket
16	48124	48125	48126	48127	check spindle and spring
17	48148	48149	48150	48151	stop spindle assembly

Tempcontrol cartridge



Model	Cat #
5-200	48100
5-400	48101
5-500	48102
5-700	48103