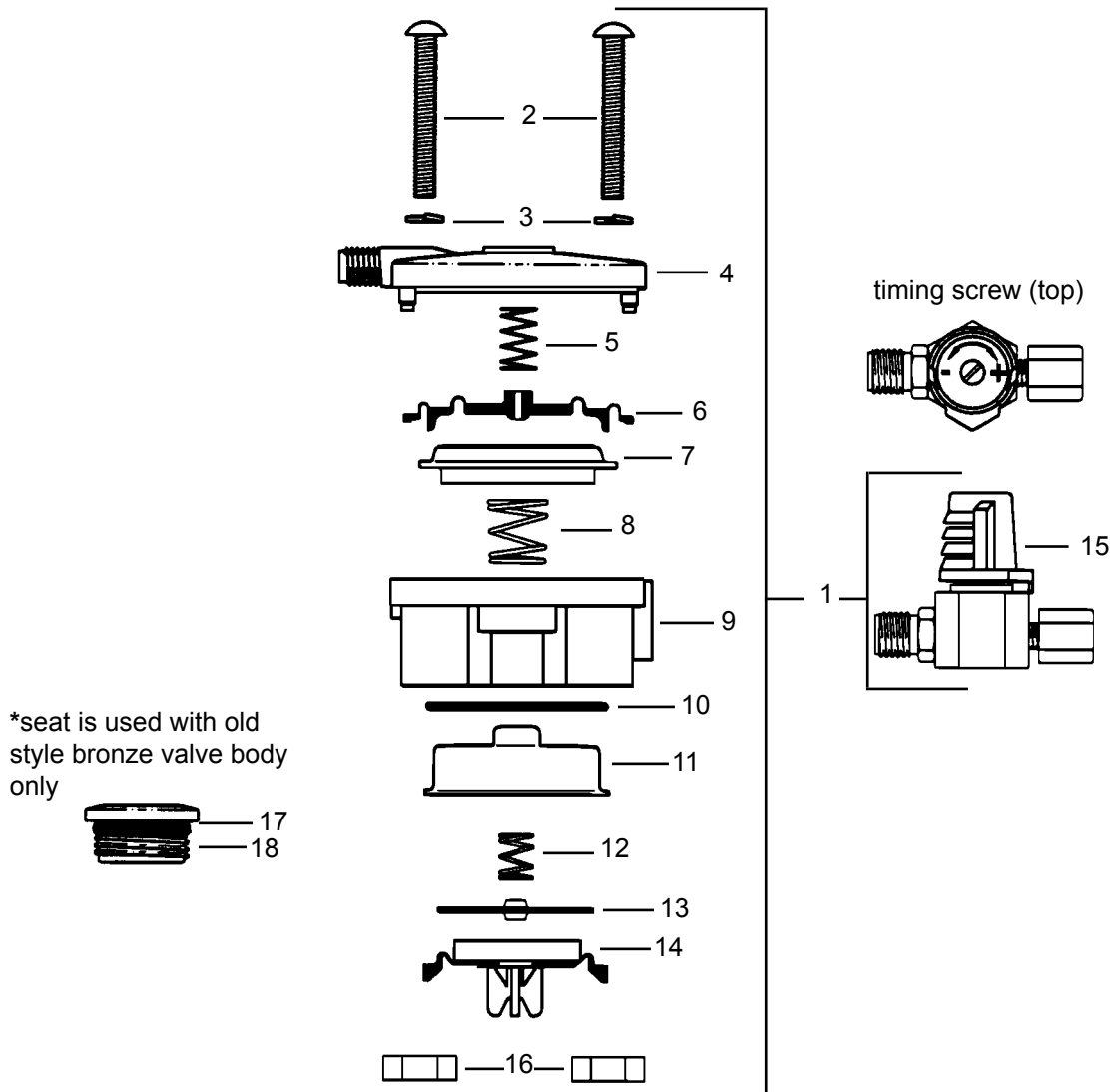


**TABLE OF CONTENTS**  
**Prison Valve Section**

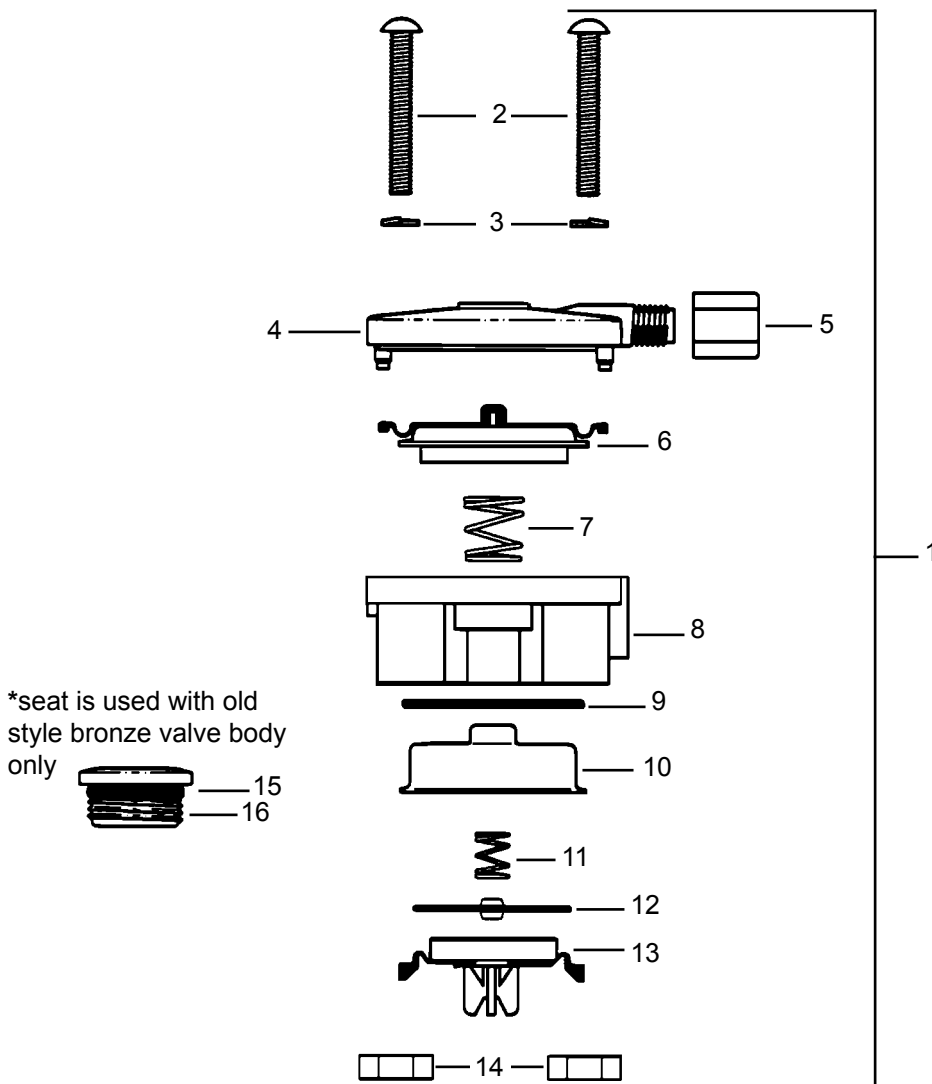
Acorn.....2-7  
    Air control.....4  
    Flood-trol.....6  
    B-5.....7  
American Standard.....8  
Bradley.....9  
Crane.....10  
Kohler.....10  
Metcraft.....11-12  
Willoughby.....13-16



\*seat is used with old style bronze valve body only

Item	Cat #	Description
1	47201	metering servomotor assy.
2	47202	cover screw (4 req'd)
3	47203	lockwasher
4	47190	cover plate, metering
5	47191	diaphragm spring
6	47192	diaphragm
7	47193	magnet cup assembly
8	47208	actuator spring
9	47209	motor housing

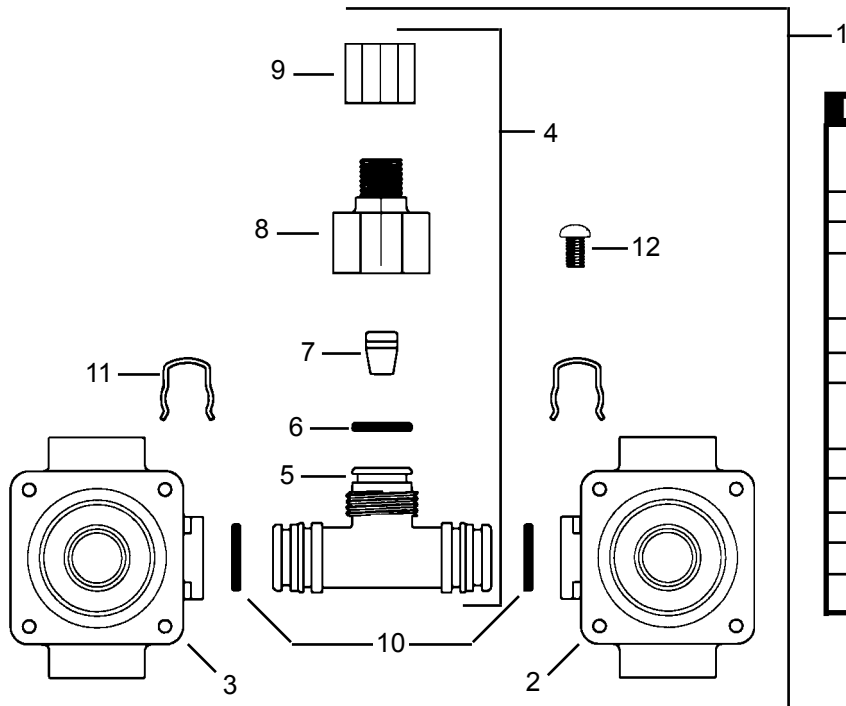
Item	Cat #	Description
10	47210	separator cup o-ring
11	47213	separator cup
12	47211	orifice plate spring
13	47212	orifice plate assembly
14	47214	water diaphragm
15	47224	timer assembly
16	47215	s/s hex nut (4 req'd)
17	47216	seat o-ring
18	47217	seat



Item	Cat #	Description
1	47204	non-metering serv. assy.
2	47202	cover screw (4 req'd)
3	47203	lockwasher
4	47205	cover plate, non-metering
5	47206	compression nut
6	47207	diaphragm assembly
7	47208	actuator spring
8	47209	motor housing

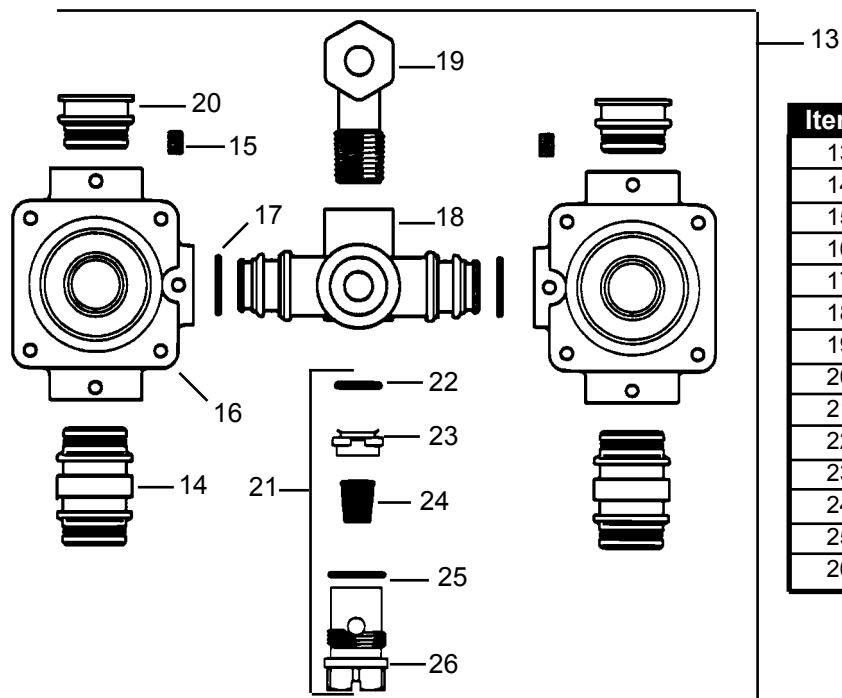
Item	Cat #	Description
9	47210	separator cup o-ring
10	47213	separator cup
11	47211	orifice plate spring
12	47212	orifice plate assembly
13	47214	water diaphragm assembly
14	47215	s/s hex nut (4 req'd)
15	47216	seat o-ring
16	47217	seat



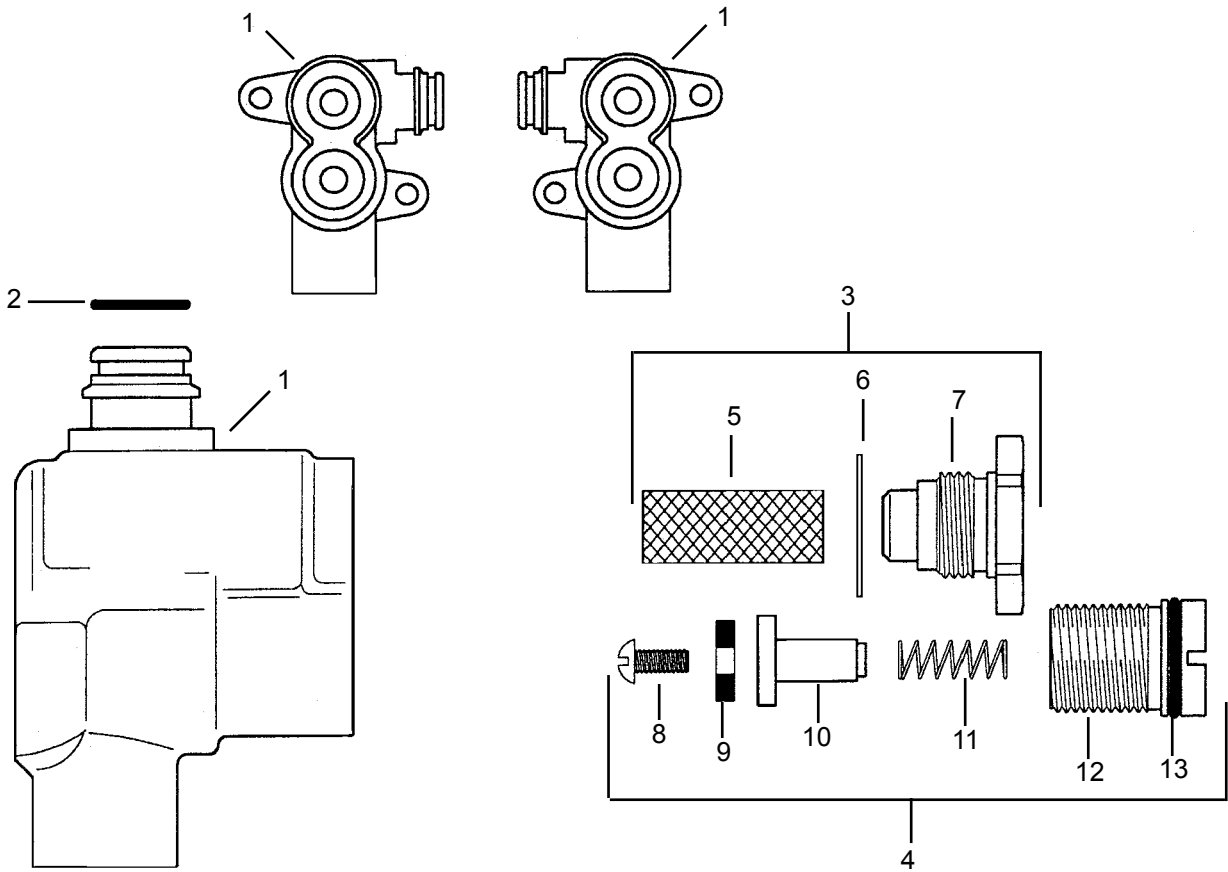


Item	Cat #	Description
1	47218	valve body complete 0.5 gpm
	47219	valve body complete 2.5 gpm
2	47220	right hand valve body
3	47221	left hand valve body
4	47227	mixing tee assy. 0.5 gpm
	47228	mixing tee assy. 2.5 gpm
5	47229	mixing tee
6	47216	o-ring
7	47230	flow control 0.5 gpm
	47231	flow control 2.5 gpm
8	47232	flow control adapter
9	47222	1/4" ferrule nut
10	47223	o-ring
11	47194	retaining clip
12	47225	10-32 x 1/2" s/s screw

**H&C AIR-CONTROL FIXTURE BODY ASSY. (old style)**

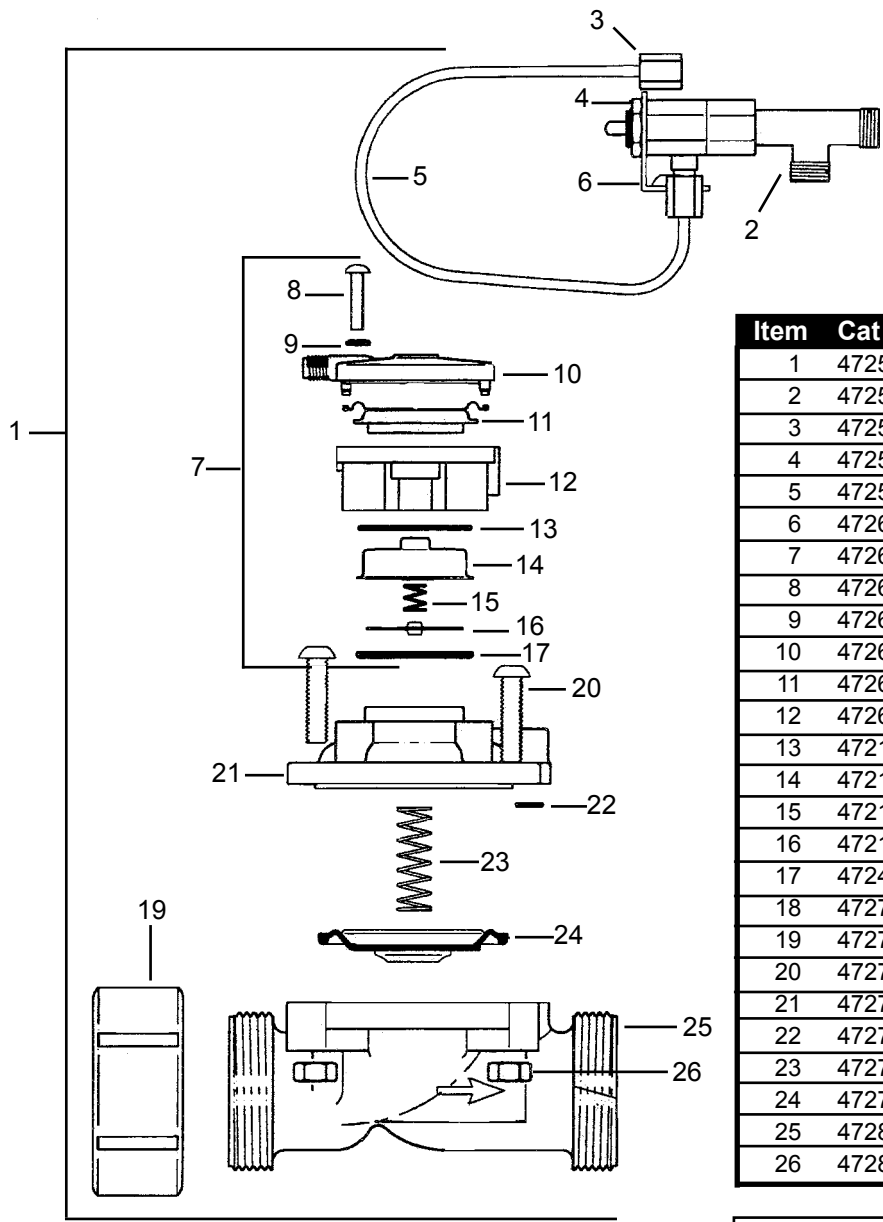


Item	Cat #	Description
13	47237	valve assembly complete
14	47238	male o-ring adapter assy.
15	47239	8-32 x 3/16" set screw
16	47240	valve body female x female
17	47241	o-ring
18	47242	flo-control tee
19	47243	1/2" NPT x 1/4" OD tube ell
20	47244	male o-ring plug assy.
21	46907	flo-control assy. 0.5 gpm
22	47216	o-ring
23	47233	flo-control retainer
24	47230	flo-control 0.5 gpm
25	47235	o-ring
26	47236	flo-control plug



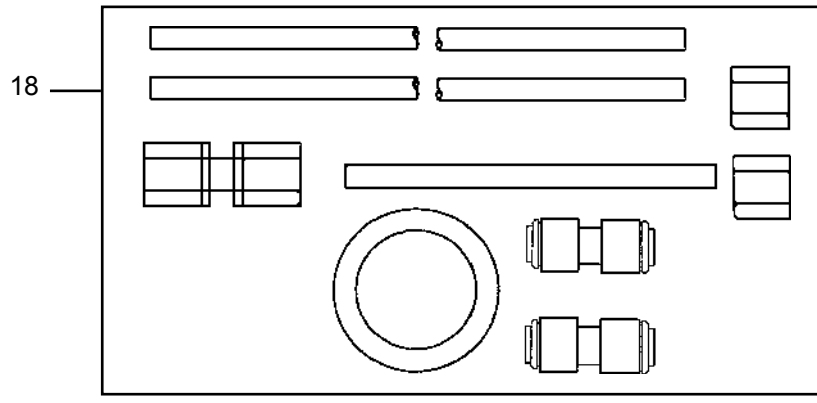
Item	Cat #	Description
1	47285	complete valve assy top outlet
	47286	complete valve assy rh outlet
	47287	complete valve assy lh outlet
2	47288	o-ring
3	47289	strainer assembly
4	47290	check stop assembly
5	47291	strainer
6	47292	red fiber gasket
7	47293	retainer
8	47294	screw
9	47295	gasket
10	47296	check valve
11	47297	spring
12	47298	check stop body
13	47299	o-ring



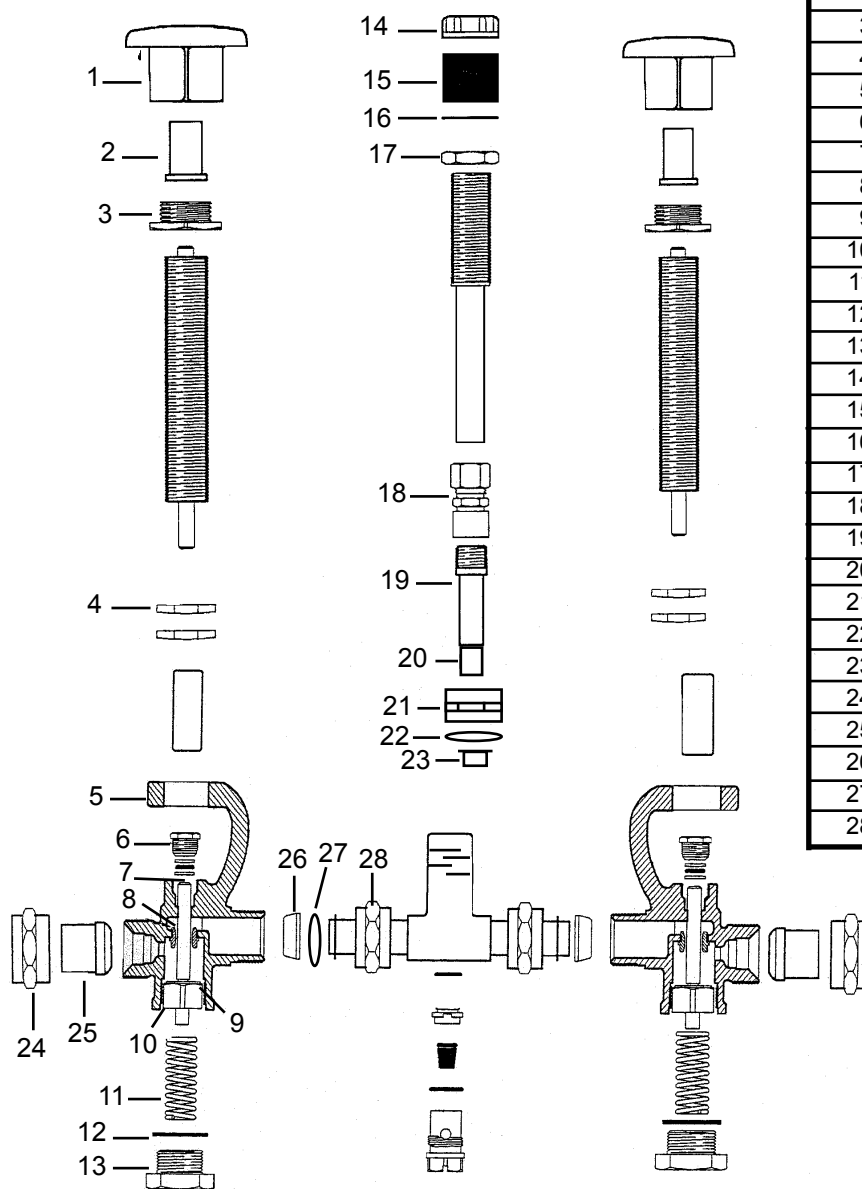


Item	Cat #	Description
1	47255	flood-trol valve assy complete
2	47256	reset valve assembly
3	47257	1/8" compression nut
4	47258	locknut
5	47259	1/8" OD PE tube x 10" LG
6	47260	mounting bracket assembly
7	47261	servomotor assembly
8	47262	8-32 x 1-1/4" ph head screw
9	47263	lockwasher
10	47264	cover plate
11	47265	diaphragm assembly
12	47266	motor housing
13	47210	o-ring
14	47213	separator cup
15	47211	pilot orifice plate spring
16	47212	pilot orifice plate assy.
17	47248	o-ring
18	47273	reset switch interconnection
19	47274	left hand flood-trol nut
20	47275	1/4-20 x 1" button hd screw
21	47276	bonnet assembly
22	47277	o-ring
23	47278	spring
24	47279	diaphragm assembly
25	47280	flood-trol body
26	47281	1/4-20 s/s nut

**47282** Repair kit  
Items: 13, 15, 16, 17, 23

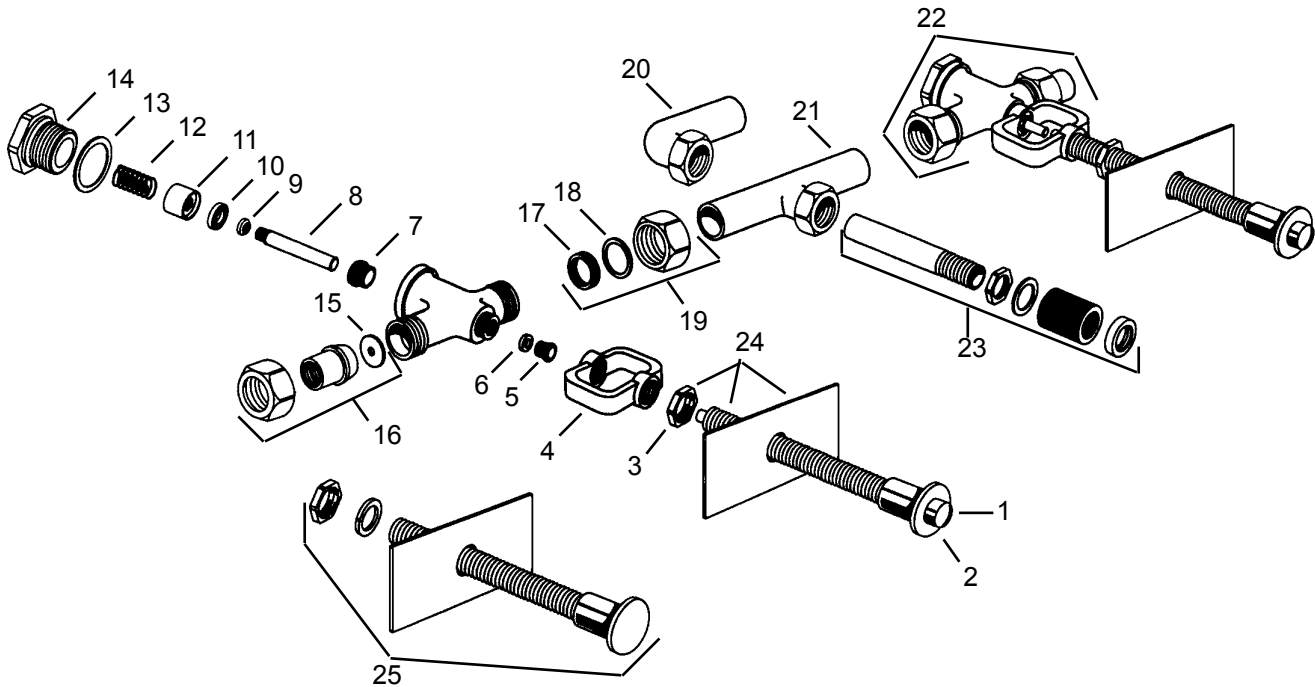


7



Item	Cat #	Description
1	47020	escutcheon
2	47201	cold push-button
	47022	hot push button
3	47023	hex bushing
4	47024	locknut
5	47025	hex bolt & nut
6	47026	packing nut
7	47027	packing o-ring
8	47028	renewable seat
9	47029	piston washer
10	47030	piston assembly (1-13/16")
11	47031	spring
12	47032	cap gasket
13	47033	cap
14	47034	filler nut
15	47035	bubbler gasket
16	47036	washer
17	47037	locknut
18	47038	adapter
19	47039	restrictor tube
20	47040	flow control (0.5 gpm)
21	47041	supply inlet nut
22	47042	friction ring
23	47043	supply washer
24	47044	union nut
25	47045	union adapter
26	47046	conical gasket
27	47047	friction ring
28	47048	compression nut

\*piston assembly 1-5/8" prior to 1972 is not available

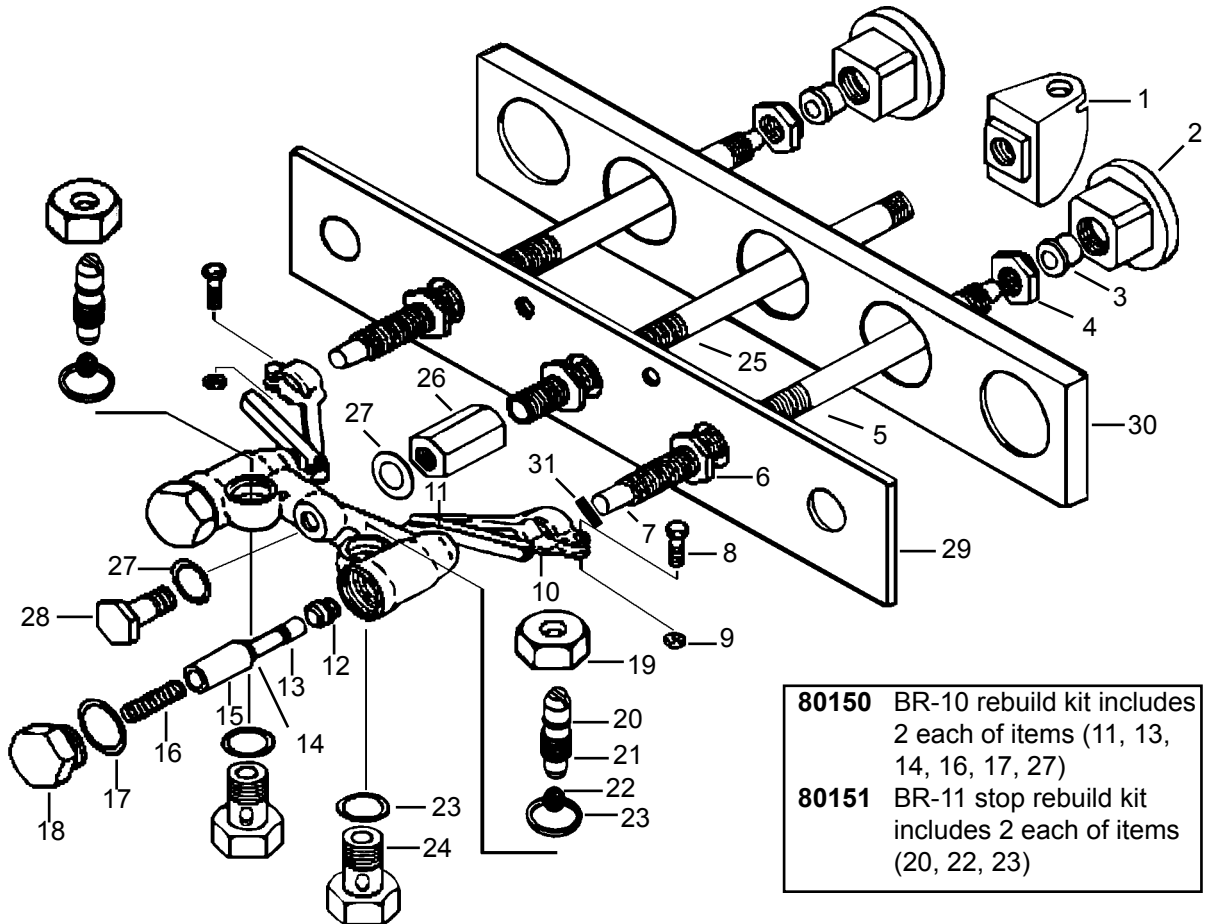


Item	Cat #	Description
1	43144	button and stem
2	43145	flange
3	43147	locknut
4	43153	yoke
5	43154	packing nut
6	43155	packing
7	43161	seat
8	43162	lower stem
9	43163	brass washer
10	43164	seat washer
11	43165	seat washer holder
12	43166	spring
13	43167	cap washer

Item	Cat #	Description
14	43168	blank cap
15	43158	flow disc
16	43159	coupling assembly
17	32994	slip joint washer
18	11447	friction ring
19	43156	slip joint kit
20	43146	elbow
21	43150	tee
22	43169	valve assembly
23	43151	supply connection
24	*	actuator pipe & bracket
25	43152	support bolt

\*special order item

**43138** packing kit includes items (6, 9, 10, 13)  
**43149** valve rebuild kit includes items (5-13)



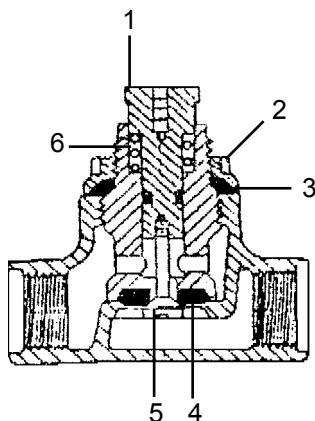
**80150** BR-10 rebuild kit includes 2 each of items (11, 13, 14, 16, 17, 27)

**80151** BR-11 stop rebuild kit includes 2 each of items (20, 22, 23)

Item	Cat #	Description
1	80103	filler bubbler w/mouthguard
	80104	filler bubbler w/o mouthguard
	80105	df bubbler w/mouthguard
	80106	df bubbler w/o mouthguard
2	80107	escutcheon
3	80108	cold push button
	80109	hot push button
4	80110	bushing
5	80111	push rod guide, 0-4" wall
	80112	push rod guide, 4-8" wall
	80113	handicap guide, 0-4" wall
	80114	handicap guide, 4-8" wall
	80115	df push rod guide
6	80116	locknut
7	80117	push rod, 0-4" wall
	80118	push rod, 4-8" wall
	80119	handicap push rod, 0-4" wall
	80120	handicap push rod, 4-8" wall
	80121	df push rod
8	80123	yoke screw
9	80124	yoke nut
10	80125	lever
11	80126	lever roll pin
12	80127	renewable seat

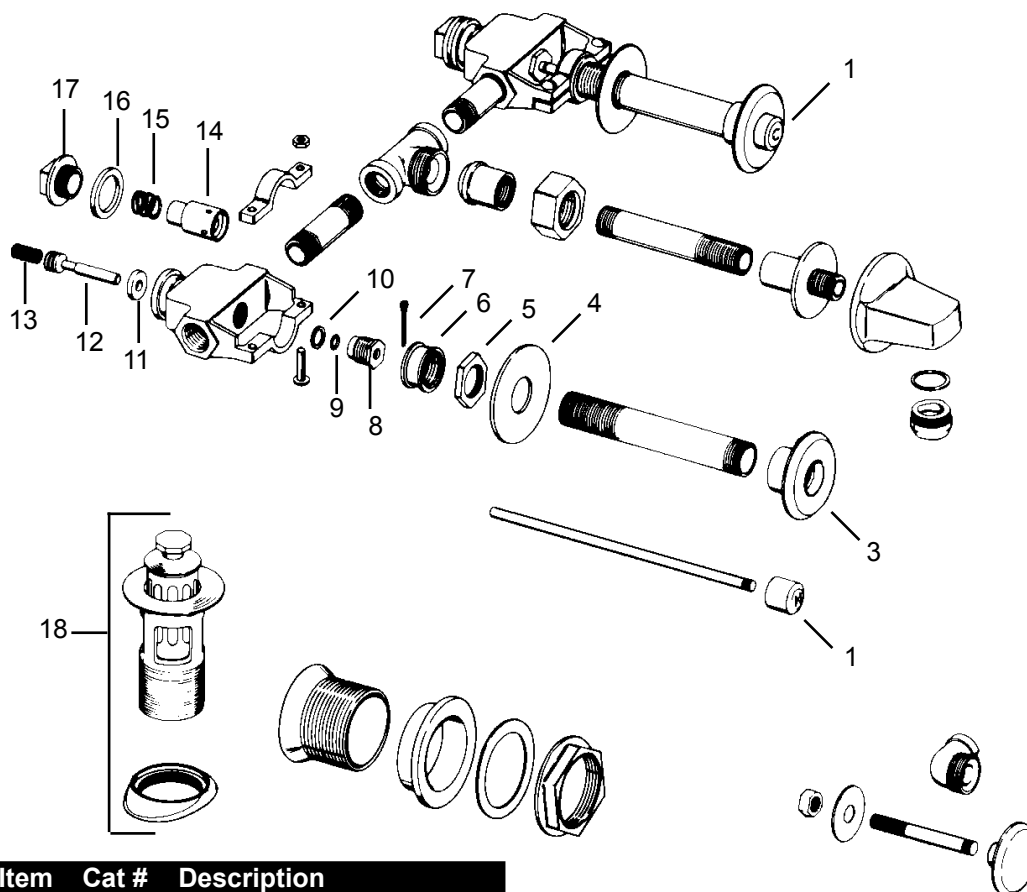
Item	Cat #	Description
13	80128	stem o-ring
14	80129	stem washer
15	80130	stem assembly
16	80131	spring
17	80132	valve gasket
18	80133	cap nut
19	80134	stop cap
20	80135	stop stem o-ring
21	80136	stop stem assembly
22	80137	ball
23	80138	stop gasket
24	80139	stop body
25	80140	discharge tube, 0-4" wall
	80141	discharge tube, 4-8" wall
	80142	handicap tube, 0-4" wall
	80143	handicap tube, 4-8" wall
	80144	df discharge tube
26	80145	connection body
27	80146	plug gasket
28	80147	connection plug
29	80148	anchor plate
30	80149	escutcheon blank
31	80122	collar





Item	Cat #	Description
1	40991	cartridge
2	41117	locknut
3	41002	gasket
4	40992	seat ring
5	40993	screw
6	40990	spring

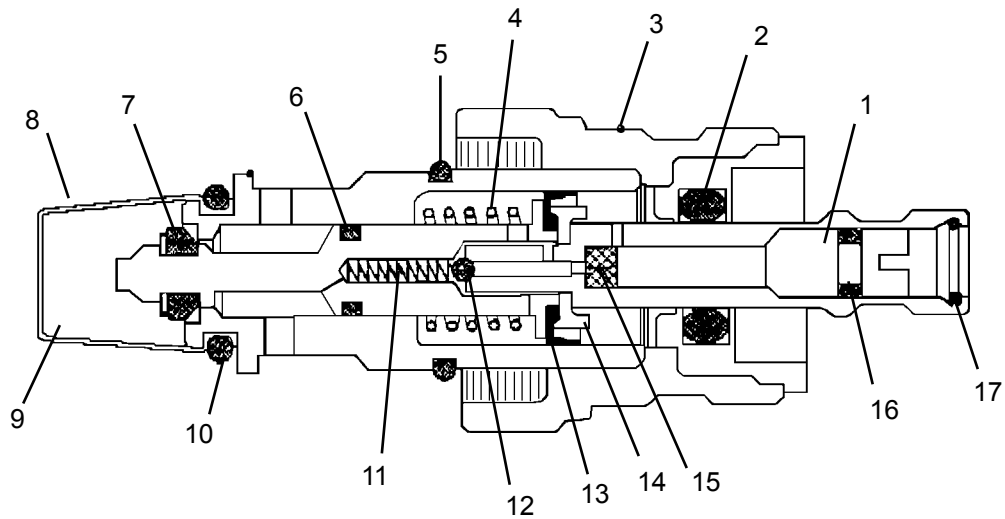
**40994** repair kit includes items (3, 4, 5)



Item	Cat #	Description
1	42187	hot & cold push button kit
3	42189	flange
4	42190	washer
5	42191	locknut
6	42192	adaptor
7	42193	cotter pin
8	42194	packing nut
9	11505	o-ring

**30132** valve rebuild kit includes items (9, 10, 11, 12, 13, 15, 16)

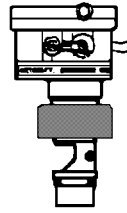
Item	Cat #	Description
10	42195	washer
11	42196	seat washer
12	42197	plastic stem
13	42198	spring
14	42199	dash pot
15	42200	spring
16	42201	washer
17	42202	cap
18	42203	strainer assy. for K-7480-81



Item	Cat #	Description
1	81119	adjustment stem
2	81120	o-ring
3	81121	cap nut
4	81122	stem spring
5	81123	body o-ring
6	81124	stem o-ring
7	81125	seat washer
8	81126	e clip
9	81127	inlet screen
10	81128	screen o-ring
11	81129	check spring
12	81130	check ball
13	81131	cup washer
14	81132	follower
15	81133	flow control
16	81134	adjustment o-ring
17	81135	retaining ring

**81140** repair kit includes items  
(2, 5, 6, 7, 10, 14, 16, 17)

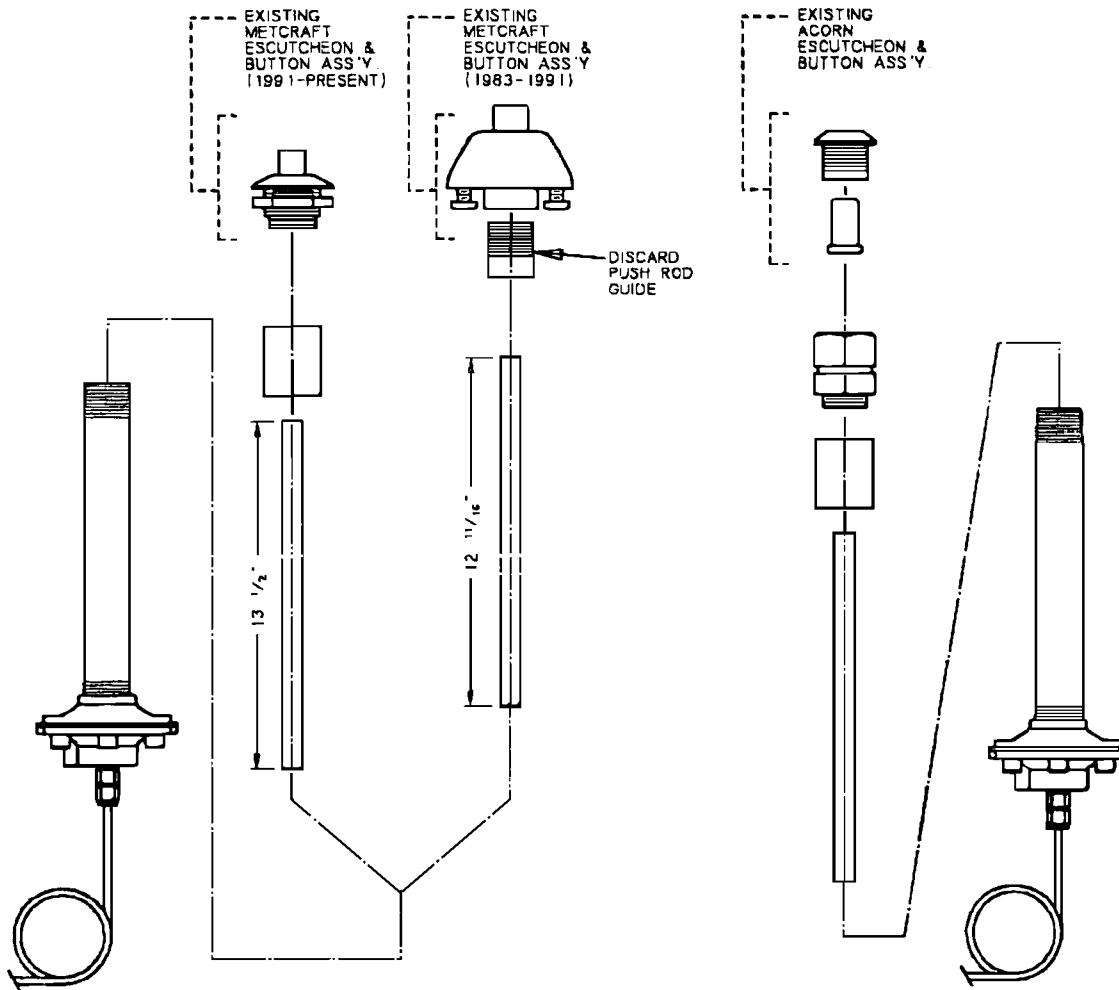




**81045**  
hot & cold

**TEMPUS II**

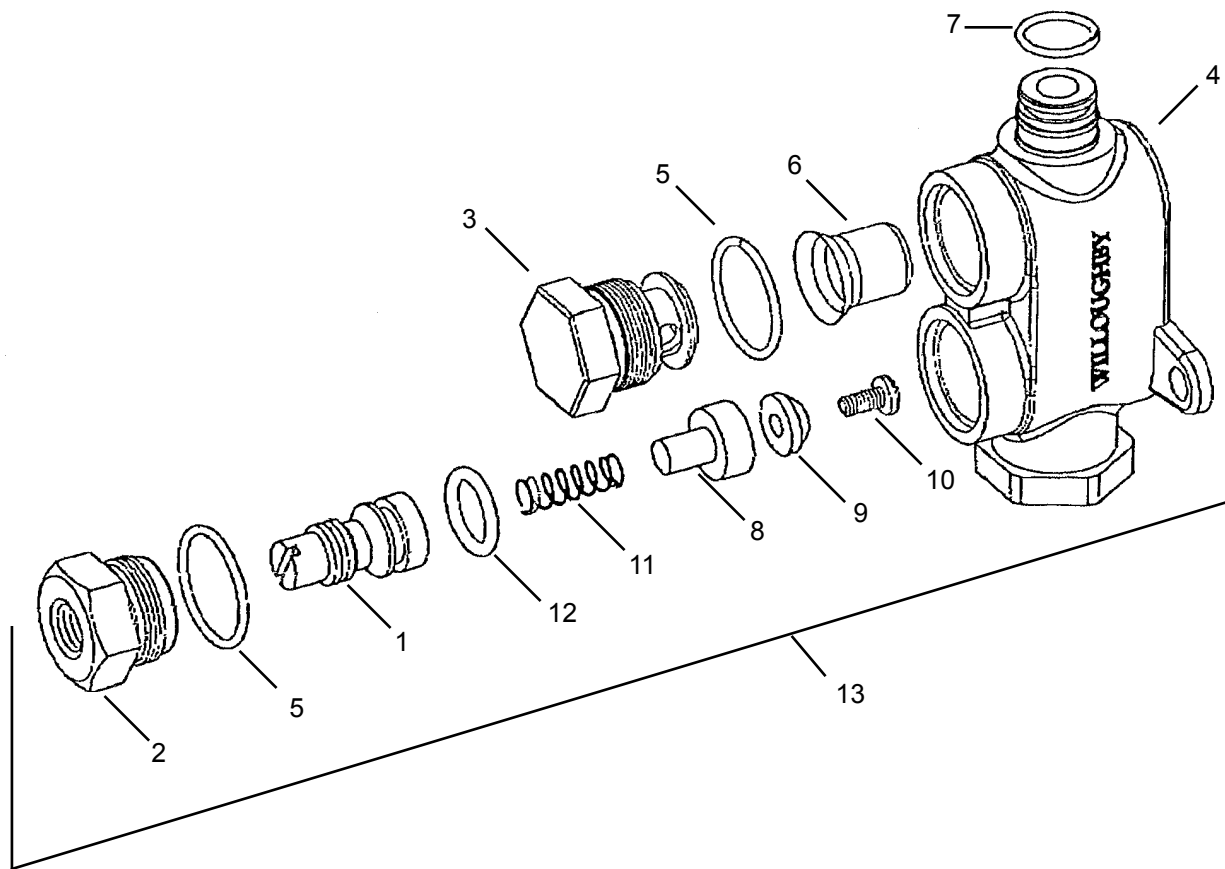
**ACORN**



**81046**  
assembly

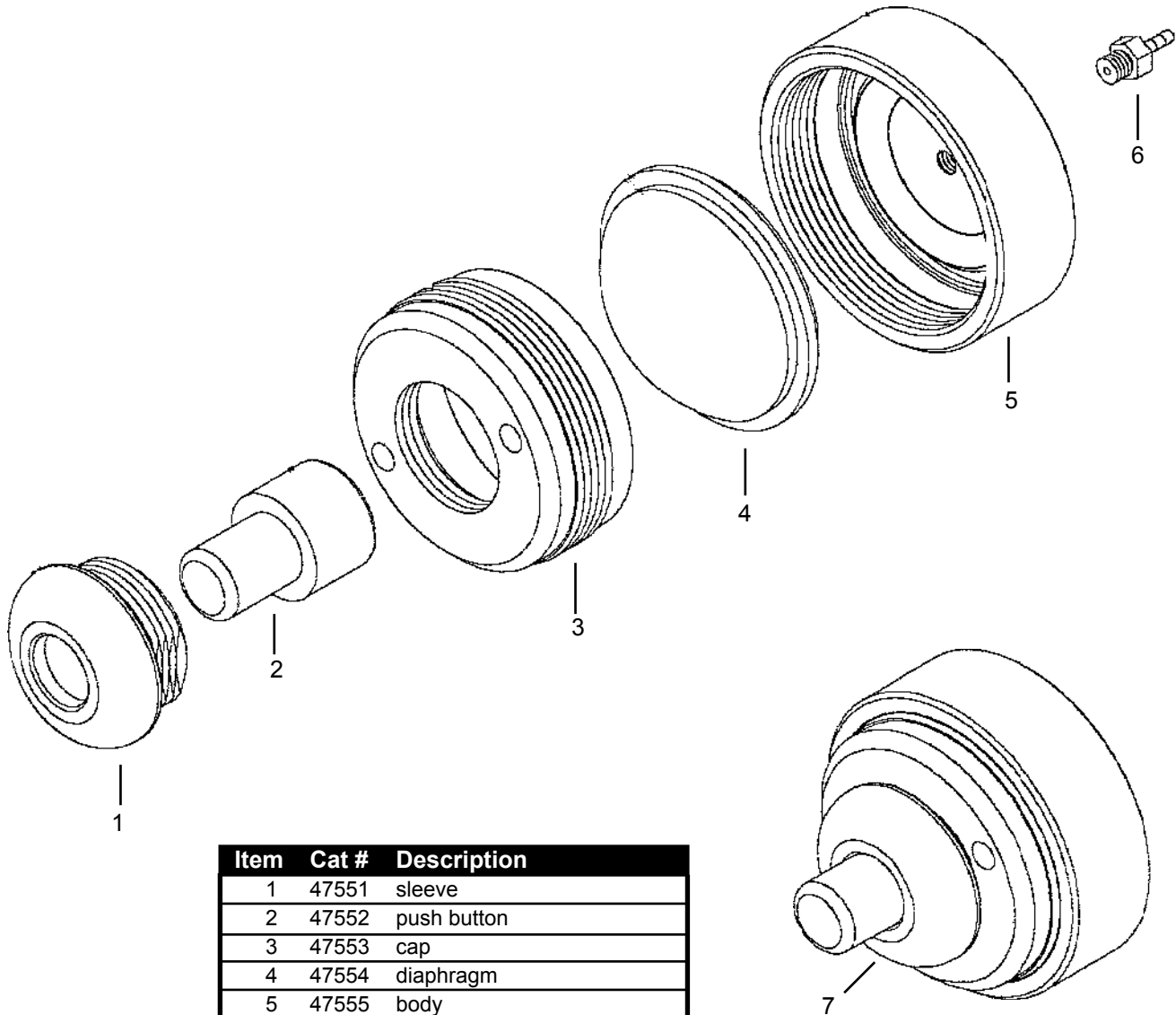
**81047**  
assembly

7

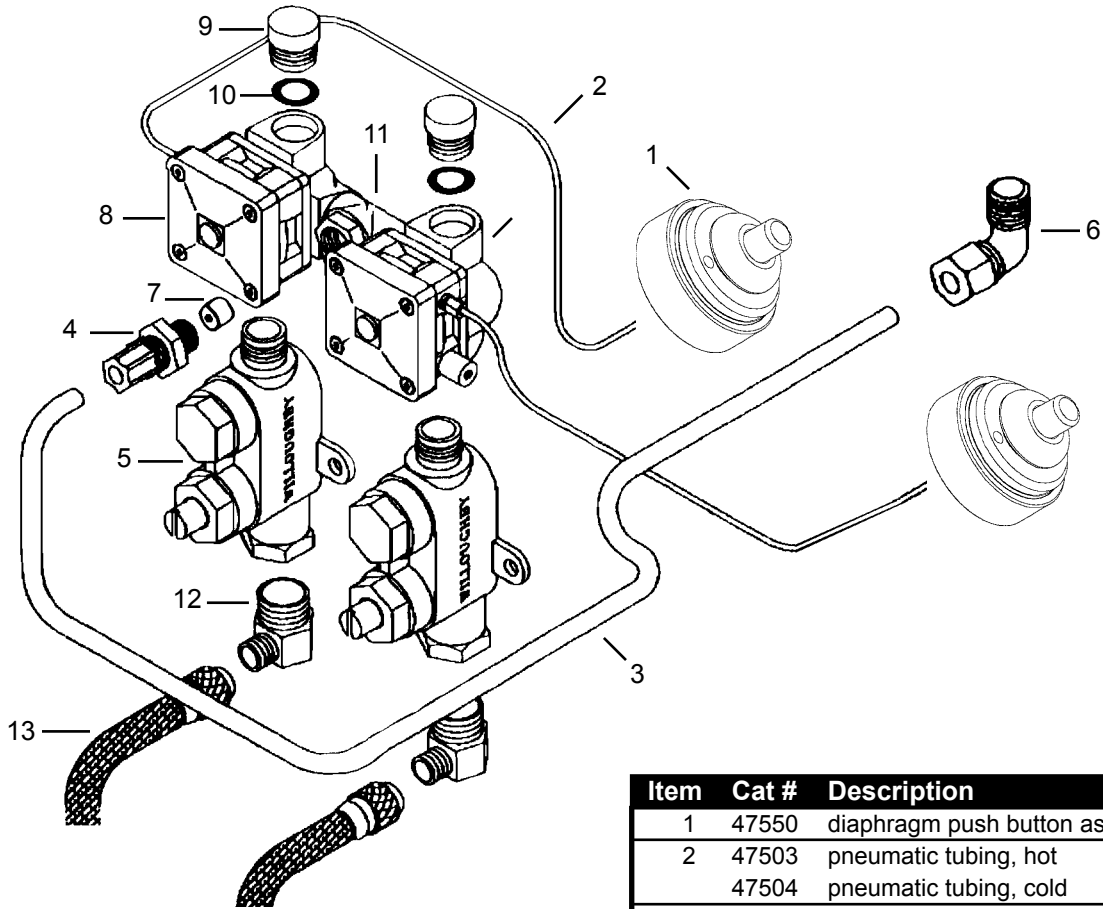


Item	Cat #	Description
1	47557	checkstop stem
2	47558	checkstop nut
3	47559	strainer cap, checkstop
4	47560	checkstop casting, lead free
5	47561	o-ring
6	47562	strainer insert
7	47563	o-ring, slip joint
8	47564	checkstop plunger
9	47565	bev. faucet washer
10	47566	screw 8-32 x 3/8" panhead
11	47567	spring
12	47568	o-ring
13	47507	stop assembly



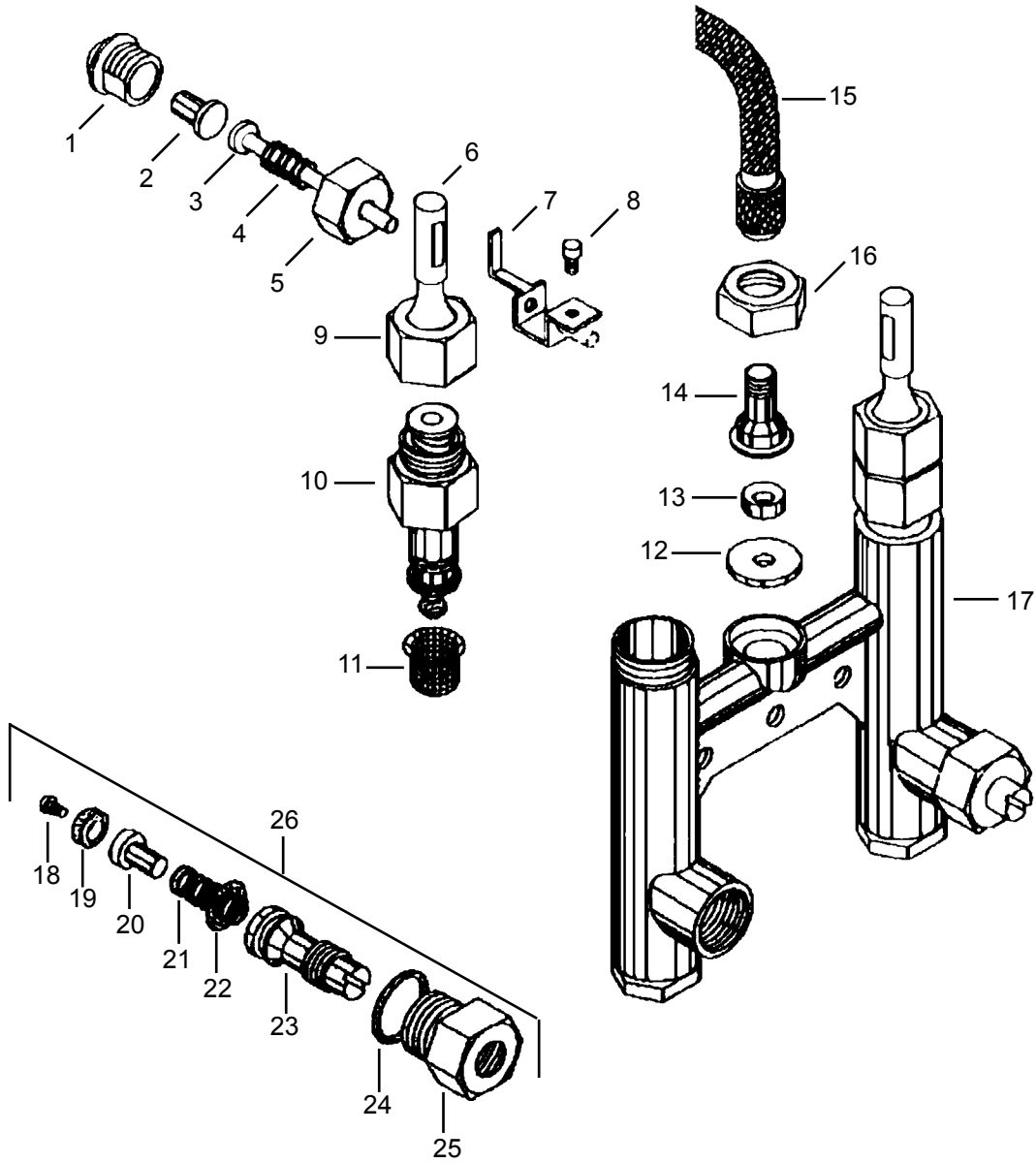


Item	Cat #	Description
1	47551	sleeve
2	47552	push button
3	47553	cap
4	47554	diaphragm
5	47555	body
6	47556	fitting hosebarb
7	47550	diaphragm pump assembly



Item	Cat #	Description
1	47550	diaphragm push button assy
2	47503	pneumatic tubing, hot
	47504	pneumatic tubing, cold
3	47505	flexible waterline
4	47506	straight waterline connector
5	47507	checkstop strainer assy
6	47517	elbow 3/8" MPT x 1/4" comp.
7	47516	flow control .5 gpm
8	47508	metering valve motor
9	47510	plug
10	47511	o-ring
11	47509	dual mixing tee
12	47514	male comp. elbow
13	47515	supply flex hose





Item	Cat #	Description
1	47500	sleeve
2	47501	push button
3	47521	push rod
4	47522	push button spring
5	47523	push button nut
6	47524	toggle lever
7	47525	trigger clip
8	47526	trigger clip screw
9	47527	toggler lever nut
10	47528	metering cartridge
11	47529	strainer insert
12	47530	flow control washer
13	47531	flow restrictor .5 gpm

Item	Cat #	Description
14	47532	flow control outlet
15	47533	reinforced flex hose
16	47534	flow control nut
17	47535	dual temp valve casting
18	47536	checkstop plunger screw
19	47537	checkstop plunger seal
20	47538	checkstop plunger
21	47539	checkstop spring
22	47540	checkstop stem o-ring
23	47541	checkstop stem
24	47542	checkstop nut o-ring
25	47543	checkstop nut
26	47544	checkstop assembly